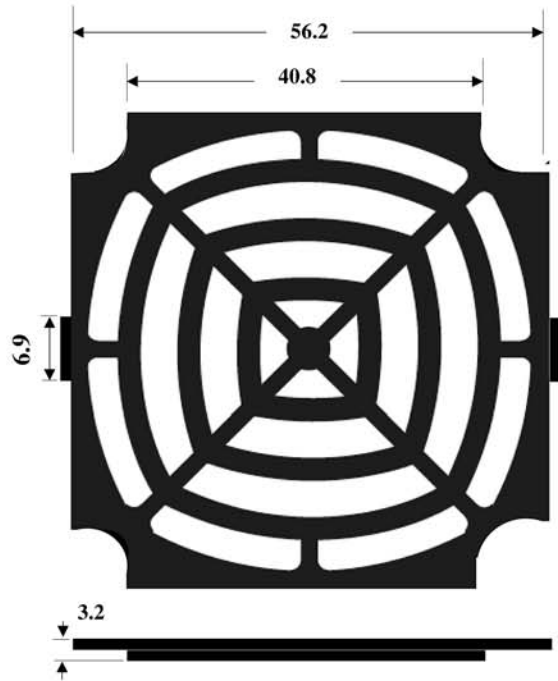
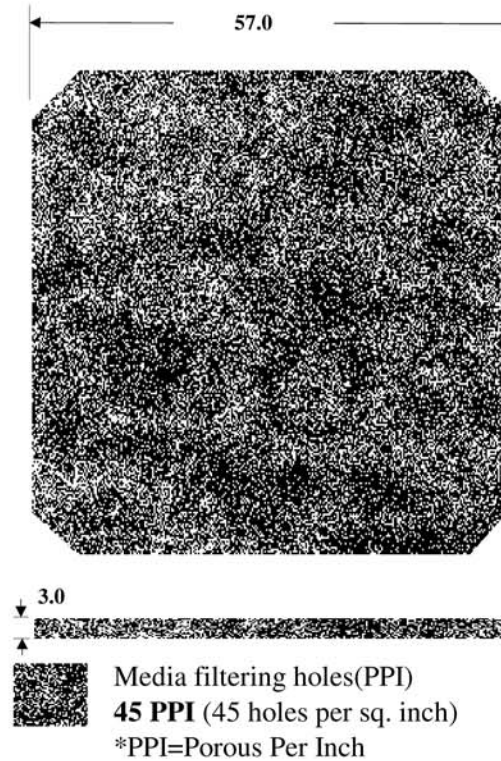


Revision			
Rev.	Description	Date	Approved
A		2007/8/7	

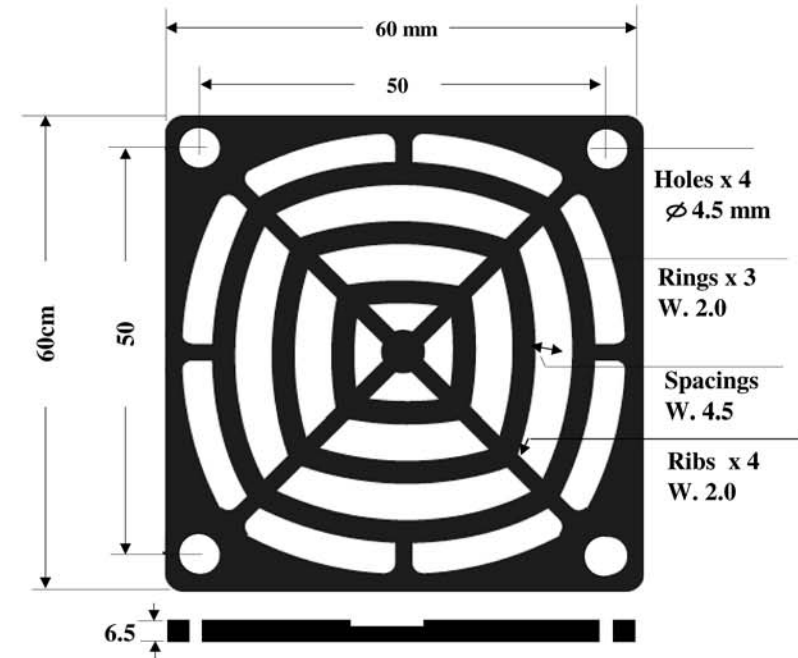
**Retainer "R" / R60P**



**Media "M" / M60-45**



**Guard "G" / G60P**



**Material:**

- Plastic guard" G" & Retainer "R" made of plastic ABS glass reinforced flammability rated UL94V-0
- Media " M" is made of PU form, Polyurethane form flammability rated UL94HF-1 standard color black(gray or other color available). Filtering holes 45PPI (\*30,15 PPI available on request)

Part Number:	<b>LFT60FI45</b>
Description:	<b>Plastic Fan Filter Kits</b> For fans 60mm (2.36")