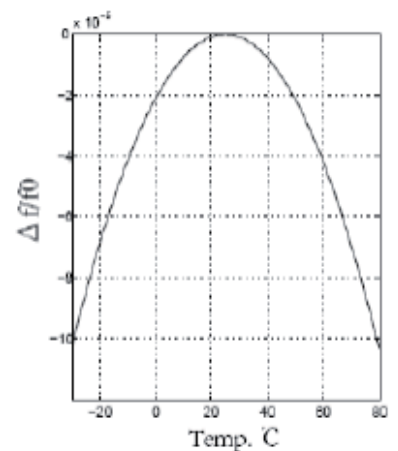
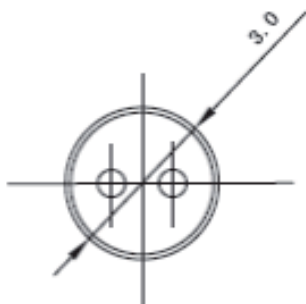
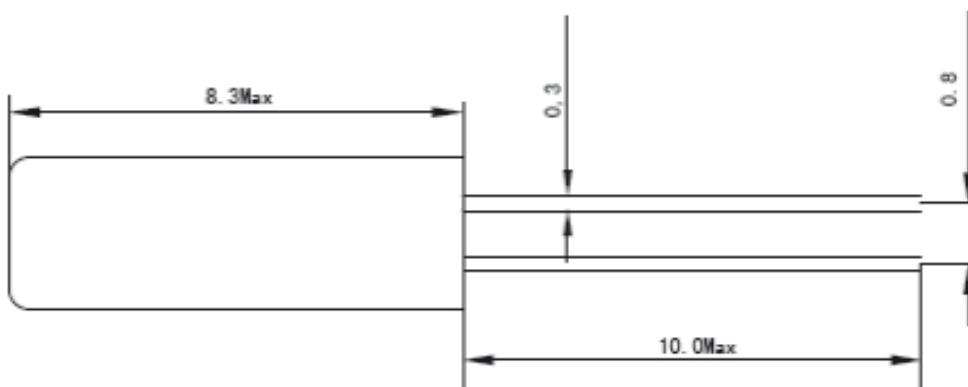


# IC 26



## Quartz Crystal Unit KHz Range Thru-Hole

Dimensions l/d in mm (max)	<b>8,3 x 3,0</b>
Frequency	20,0 KHz to 200,0 KHz
Operating Temperature	Refer to Ordering Guidance
Frequency Tolerance at 25°C	Refer to Ordering Guidance
Frequency Stability over Temperature	-0.042 ppm / °C <sup>2</sup> typ.
Storage Temperature	-55°C to +125°C
Load Capacitance (CL)	12,5pF/ 16pF/ 18pF/ 20pF/ 30pF/ 32pF or series
Shunt Capacitance (C0)	1,25 pF typ.
Series Resonance (R1)	35 KOhm (Typ.) / 50 KOhm (Max.)
Drive Level μW max.	1,0 max.
Aging (df/F) first year at 25°C	± 3 ppm



# Ordering Guidance

IC - Quartz																				
QS-Digits:	1	2	3	4	5	6	7	8	9	10	11	12	13	14	15	16	17	18	19	20
QS- Eingabe/Enter:	I	C	1	3	0	3	2	,	7	6	8	M	1	2	,	5	A	B	1	B
Bezeichnung/Indic.:	Gruppe		Grösse		Frequ./FRQ/Fliesskomma							Hz	Load/CL/uF			Fto	Fst	OM	TR	
<b>IC-Applications:</b> Portable instruments Industrial products Battery powered prod.	IC Quartz		Size code + packg. code 1-13 = 3K/RL, ab 14 = 1K/RL									H/K/M/G				F.tol. at 25° in ppm	F.stab. In Operating Temp. Range	Oscillation Mode	oper. Temp. in °C	
	A	10	A	10								1	Fund			A	0°C to +70°C			
	B	15	B	15								3	3rd OT			B	-20°C to +70°C			
	C	20	C	20								5	5th OT			C	-10°C to +60°C			
	D	25	D	25												D	-10°C to +70°C			
	E	30	E	30												E	-40°C to +85°C			
	F	50	F	50												F	-45°C to +125°C			
	G	100	G	100												G	best			
			H	-0,034																
			I	-0,042																

