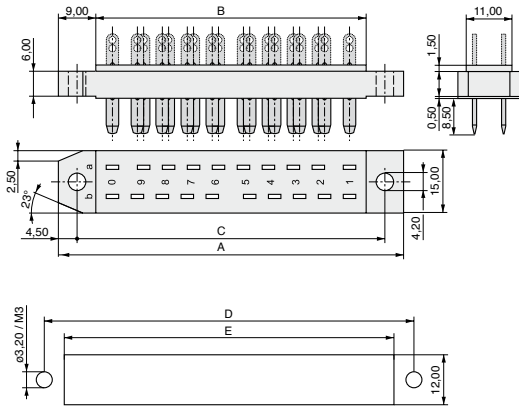


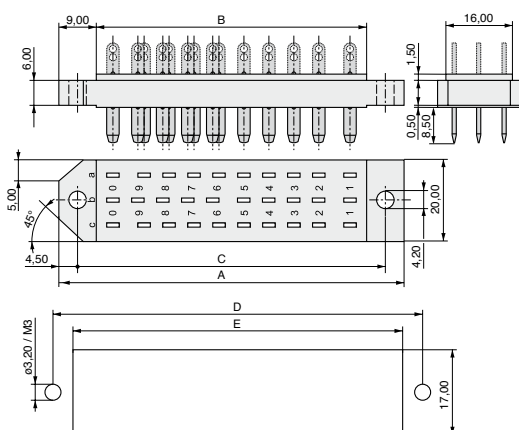
Rated current	10,0 A
Rated voltage	250 VRMS / VDC
	750 VRMS / VDC (variation 3)
Withstand voltage	875 VRMS for 1 minute
	1750 VRMS for 1 minute (variation 3)
Material contact	Copper alloy
Material insulator	Thermoplast UL94V-0
Operating temperature	-20°C to +85°C
Max. processing temper.	230°C for 5 seconds
All dimensions in mm.	

termination	
max. pincount	030

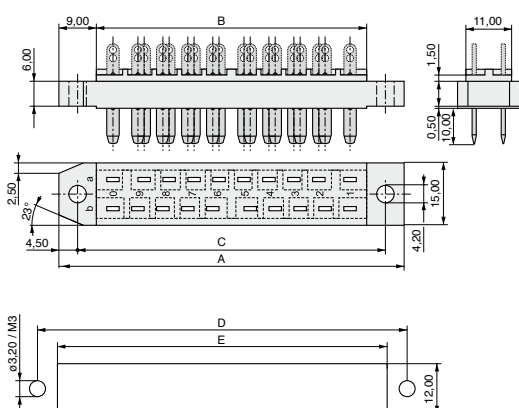
Variation



1

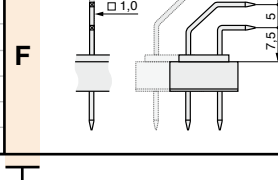
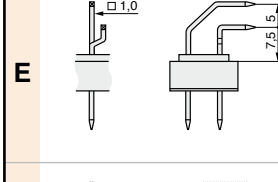
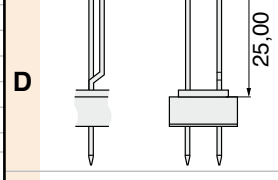
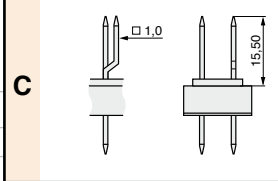
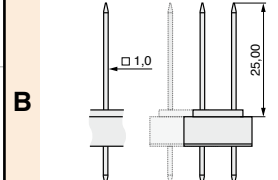
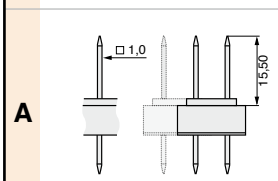
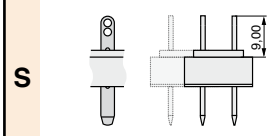


2



3

Contact type



code	no. of contacts	first mate / last break	available in variation		
N	n		1	2	3
A	008	b1 + a4	1		
B	012	b1 + a6	1		
C	012	a1 + b6	1		
D	016	b1 + a8	1		
E	020	b1 + a0	1		
F	020	a1 + b0	1		
G	030	b1 + b0		2	

no. of contacts	available in variation				
	see figure left	see figure left	see figure left	see figure left	see figure left
n	A	B	C	D	E
008	47,00	29,00	38,00	38,00	30,00
012	59,00	41,00	50,00	50,00	42,00
016	71,00	53,00	62,00	62,00	54,00
020	83,00	65,00	74,00	74,00	66,00
030	83,00	65,00	74,00	74,00	66,00

Contact type:
 Variation 1 = S,A,B,C,D,E,F
 Variation 2 = S,A,B,F
 Variation 3 = S

Plating:
 B = Ag 4 μ
 K = Au 0,8 μ

First mate / last break:
 (please see table)

Variation (1,2,3)

No. of contacts

Contact type (S,...)
 Plating contact (B,K)
 First mate/last break



www.mpe-connector.de

Order code: 383 - ? - ? ? ? ? - ? ? ? ? - ZS

Mating series	384	376
see page	15-3	15-4