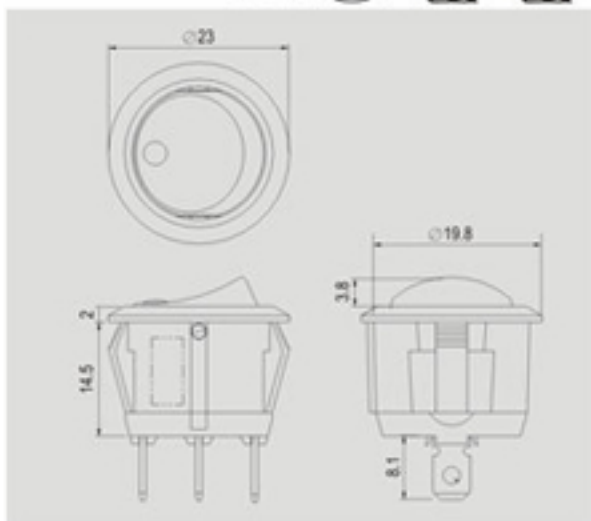


R13-112



Rating
16A 125V AC 10A 250V AC
Contact resistance
50mΩ Max
Insulation resistance
DC 500V 100MΩ Min
Dielectric strength
AC 1500V 1 minute
Cut-out
2-3.0 mm max

FEATURES

- * **MATERIAL:** Frames are nylon (UL flame: 94V-2). Terminals are silver plated brass.
- * Illuminated actuators are molded in PC, available with red, amber and green colors.
- * Snap-in mounting, easy to install switch into panel.
- * Waterproof cover is optional, except LP & BP type.
- * The dimension of frame is 14.5mm, for shorter one, please refer to page.1-51 item no. R13-208.
- * **R13-112B9,R13-112B9F: LED with PCB inside for AC rating.**



0.7-3.0 mm max
Cut-out for X8 ROCKER
0.7-2.5 mm max



Ordering number instruction

R13-112 -

FUNCTION					TERMINAL
Different button (按鈕不同)					0 2 .187" SQ
A	A 2	A 5	A P		
 ON OFF 2P SPST	 ON OFF 2P SPST	 ON OFF 2P SPST (Gloss Finish)	 ON OFF 2P SPST		
Illuminated / Different button (帶燈/按鈕不同)					
B	B 2	B 9	B 10	B P	
 ON OFF 3P SPST (NEON) 125VAC 33KΩ / 250VAC 150KΩ	 ON OFF 3P SPST (NEON) 125VAC 33KΩ / 250VAC 150KΩ	 ON OFF 3P SPST (W/O Lens) (LED) LED Rating @ 10mA V _f =1.85V	 ON OFF 3P SPST (LED) LED Rating @ 10mA V _f =1.85V	 ON OFF 3P SPST (NEON) 125VAC 33KΩ / 250VAC 150KΩ	
Momentary / Illuminated / Different button (彈回/帶燈/按鈕不同)					
B F	B 2 F	B 9 F			
 (ON) OFF 3P SPST (NEON) 125VAC 33KΩ / 250VAC 150KΩ	 (ON) OFF 3P SPST (NEON) 125VAC 33KΩ / 250VAC 150KΩ	 (ON) OFF 3P SPST (W/O Lens) (LED) LED Rating @ 10mA V _f =1.85V			
Different position / Different button (動作特性不同/按鈕不同)					
C	C P	D	D P		
 ON ON 3P SPDT	 ON ON 3P SPDT	 ON OFF ON 3P SPDT	 ON OFF ON 3P SPDT		
Momentary (彈回)					
E	F	G	H	I	
 ON (OFF) 2P SPST	 (ON) OFF 2P SPST	 ON (ON) 3P SPDT	 ON OFF (ON) 3P SPDT	 (ON) OFF (ON) 3P SPDT	
Independent circuit / Different button (獨立通路/按鈕不同)					
L	L P	L F			
 ON OFF 4P SPST (LED) LED Rating @ 10mA V _f =1.85V	 ON OFF 4P SPST (LED) LED Rating @ 10mA V _f =1.85V	 (ON) OFF 4P SPST (LED) LED Rating @ 10mA V _f =1.85V			
Waterproof (防水)					
A 8	B 8	B 8 F	C 8	D 8	F 8
 ON OFF 2P SPST	 ON OFF 3P SPST (NEON) 125VAC 33KΩ / 250VAC 150KΩ	 ON OFF 3P SPST (NEON) 125VAC 33KΩ / 250VAC 150KΩ	 ON ON 3P SPDT	 ON OFF ON 3P SPDT	 (ON) OFF 2P SPST