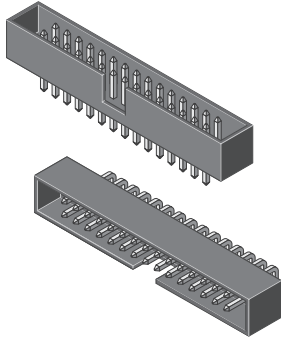


BOX HEADER 2,00 mm

ID: 155

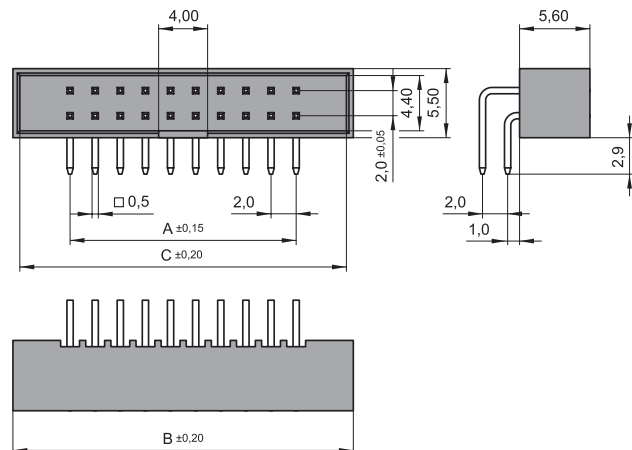
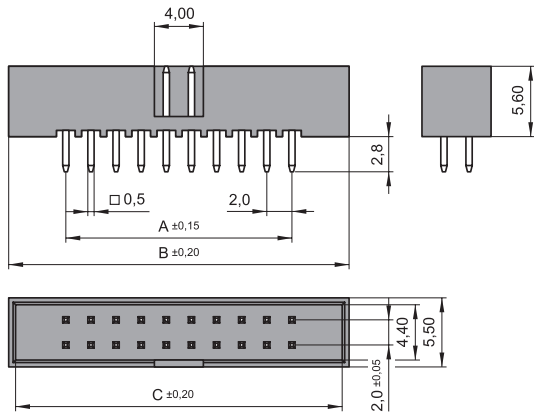
STL 22-560LPG / STL 22-560LPA

Series 730



TECHNICAL DATA

Pitch	2,00 mm
Insulating Material	high temp. thermoplast UL94V-0
Contact Material	Brass
Rated Current	1,5 Amp.
Rated Voltage	100 V _{RMS} /150 V _{DC}
Withstanding Voltage	500 V _{AC} for one minute
Operating Temperature	-40°C to +105°C
Maximum Soldering Temperature	260°C for 10 seconds



No. of contacts	Dimensions		
	A	B	C
6	4,00	13,20	12,20
8	6,00	15,20	14,20
10	8,00	17,20	16,20
12	10,00	19,20	18,20
14	12,00	21,20	20,20
16	14,00	23,20	22,20
20	18,00	27,20	26,20
24	22,00	31,20	30,20
26	24,00	33,20	32,20
30	28,00	37,20	36,20
32	30,00	39,20	38,20
34	32,00	41,20	40,20
40	38,00	47,20	46,20
44	42,00	51,20	50,20
50	48,00	57,20	56,20
60	58,00	67,20	66,20
64	62,00	71,20	70,20
68	66,00	75,20	74,20

All dimensions in mm.
Other dimensions upon request.

STL 22 - 0560 LP X XX - XX U

- 22: 2 rows, pitch 2,0mm
- 0560: insulator height 5,60mm
- LP: low profile
- Type: G = straight contacts
A = right angled contacts
- Plating: TT = Sn
GT = sel. Au
GG = Au
- U: RoHS-compliant with high temp. plast
- Poles: see table