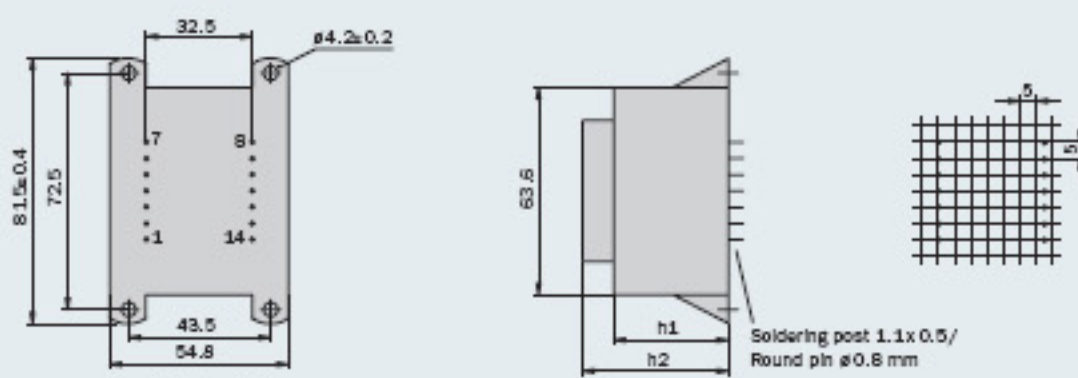




- Capacity up to 35.0 VA
- Non short-circuit-proof at temperature class ta 70°C/B
- Standard type with 'KK' cast housing
- Test certifications to ENEC 10- and VDE-regulations
- Excellent temperature fluctuation resistance properties
- High electrical safety and long service-life features
- High voltage resistance
- Self-extinguishing cast housing and sealing material
- Certified item quality tested

Primary protection by means of transformer heat coils to IEC 127 standards or secondarily with PTC resistances.



View looking onto pins

Soldering post 1.1x0.5/  
Round pin  $\phi 0.8$  mm

Type 'KK' cast housing with 4 fixing straps

Dimensions without tolerances  $\pm 0.3$  mm,  
Rights to make alterations and improvements hereby reserved

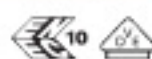
Frame size/Core height	Output ta 70 °C/B	h1 (mm)	h2 (mm)	Weight	Packaging unit
BV EI 600 .... /16.0 mm*	17.0 VA	approx. 31.0 mm	approx. 40.5 mm	0.450 kg	18 pieces
BV EI 601 .... /21.0 mm	20.0 VA	35.2 $\pm$ 0.5 mm	44.7 $\pm$ 0.5 mm	0.600 kg	18 pieces
BV EI 602 .... /25.5 mm	28.0 VA	39.7 $\pm$ 0.5 mm	49.2 $\pm$ 0.5 mm	0.700 kg	18 pieces
BV EI 603 .... /30.5 mm	30.0 VA	44.7 $\pm$ 0.5 mm	54.2 $\pm$ 0.5 mm	0.800 kg	18 pieces
BV EI 604 .... /35.0 mm	35.0 VA	48.1 $\pm$ 0.5 mm	57.3 $\pm$ 0.5 mm	0.900 kg	18 pieces

\* Only in type '0'

Order No.	Total output VA	Frame Size	Primary voltage V	Connecting pins prim.	Secondary voltage V	Current sec. mA	Connecting pins sec.	No-load voltage V
BV EI 600 1050	17.0	0	230	1-7	1 x 6	2834	9-13	1 x 7.4
BV EI 600 1051	17.0	0	230	1-7	2 x 6	1417	8-9/13-14	2 x 7.4
BV EI 600 1052	17.0	0	230	1-7	1 x 7.5	2267	9-13	1 x 9.3
BV EI 600 1053	17.0	0	230	1-7	2 x 7.5	1134	8-9/13-14	2 x 9.3
BV EI 600 1054	17.0	0	230	1-7	1 x 9	1889	9-13	1 x 11.1
BV EI 600 1055	17.0	0	230	1-7	2 x 9	945	8-9/13-14	2 x 11.1
BV EI 600 1056	17.0	0	230	1-7	1 x 12	1417	9-13	1 x 15.2
BV EI 600 1057	17.0	0	230	1-7	2 x 12	708	8-9/13-14	2 x 15.2
BV EI 600 1058	17.0	0	230	1-7	1 x 15	1134	9-13	1 x 18.2
BV EI 600 1065	17.0	0	230	1-7	2 x 15	567	8-9/13-14	2 x 18.7
BV EI 600 1072	17.0	0	230	1-7	1 x 18	944	9-13	1 x 21.8
BV EI 600 1061	17.0	0	230	1-7	2 x 18	472	8-9/13-14	1 x 21.9
BV EI 600 1062	17.0	0	230	1-7	1 x 24	708	9-13	1 x 28.9



Safety transformer



Frame size/Core height	Output ta 70 °C/B	h1 (mm)	h2 (mm)	Weight	Packaging unit
BV EI 601 .... /21.0 mm	20.0 VA	35.2 $\pm$ 0.5 mm	44.7 $\pm$ 0.5 mm	0.600 kg	18 pieces

Order No.	Total output VA	Frame Size	Primary voltage V	Connecting pins prim.	Secondary voltage V	Current sec. mA	Connecting pins sec.	No-load voltage V
BV EI 601 1069	20.0	1	230	1-7	1 x 6	3334	9-13	1 x 7.0
BV EI 601 1070	20.0	1	230	1-7	2 x 6	1667	8-9/13-14	2 x 7.0
BV EI 601 1071	20.0	1	230	1-7	1 x 7.5	2667	9-13	1 x 8.8
BV EI 601 1059	20.0	1	230	1-7	2 x 7.5	1334	8-9/13-14	2 x 8.8
BV EI 601 1060	20.0	1	230	1-7	1 x 9	2223	9-13	1 x 10.5
BV EI 601 1042	20.0	1	230	1-7	2 x 9	1111	8-9/13-14	2 x 10.5
BV EI 601 1046	20.0	1	230	1-7	1 x 12	1667	9-13	1 x 14.2
BV EI 601 1043	20.0	1	230	1-7	2 x 12	834	8-9/13-14	2 x 14.2
BV EI 601 1064	20.0	1	230	1-7	1 x 15	1334	9-13	1 x 17.0
BV EI 601 1044	20.0	1	230	1-7	2 x 15	667	8-9/13-14	2 x 17.0
BV EI 601 1066	20.0	1	230	1-7	1 x 18	1111	9-13	1 x 20.5
BV EI 601 1068	20.0	1	230	1-7	2 x 18	556	8-9/13-14	2 x 20.5
BV EI 601 1067	20.0	1	230	1-7	1 x 24	834	9-13	1 x 27.6

Frame size/Core height	Output ta 70 °C/B	h1 (mm)	h2 (mm)	Weight	Packaging unit
BV EI 602 .... /25.5 mm	28.0 VA	39.7 $\pm$ 0.5 mm	49.2 $\pm$ 0.5 mm	0.700 kg	18 pieces

Order No.	Total output VA	Frame Size	Primary voltage V	Connecting pins prim.	Secondary voltage V	Current sec. mA	Connecting pins sec.	No-load voltage V
BV EI 602 1011	28.0	2	230	1-7	1 x 6	4667	9-13	1 x 7.1
BV EI 602 1018	28.0	2	230	1-7	2 x 6	2334	8-9/13-14	2 x 7.1
BV EI 602 1012	28.0	2	230	1-7	1 x 7.5	3734	9-13	1 x 8.8
BV EI 602 1019	28.0	2	230	1-7	2 x 7.5	1867	8-9/13-14	2 x 8.8
BV EI 602 1013	28.0	2	230	1-7	1 x 9	3111	9-13	1 x 10.6
BV EI 602 1020	28.0	2	230	1-7	2 x 9	1556	8-9/13-14	2 x 10.6
BV EI 602 1014	28.0	2	230	1-7	1 x 12	2334	9-13	1 x 14.4
BV EI 602 1021	28.0	2	230	1-7	2 x 12	1167	8-9/13-14	2 x 14.4
BV EI 602 1015	28.0	2	230	1-7	1 x 15	1867	9-13	1 x 17.8
BV EI 602 1022	28.0	2	230	1-7	2 x 15	934	8-9/13-14	2 x 17.8
BV EI 602 1016	28.0	2	230	1-7	1 x 18	1556	9-13	1 x 20.5
BV EI 602 1076	28.0	2	230	1-7	2 x 18	778	8-9/13-14	2 x 20.5
BV EI 602 1017	28.0	2	230	1-7	1 x 24	1167	9-13	1 x 27.6