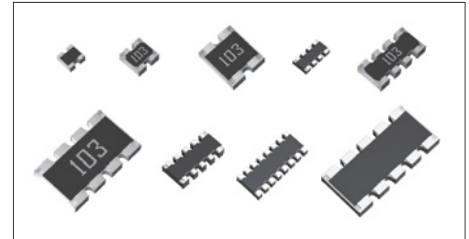


Features

- 1) Can be mounted even more densely than chip resistors.
- 2) Mounting cost can be reduced by less frequency of mounting times.
- 3) Convex electrodes secures visual inspection of fillets after soldering.
- 4) ROHM resistors have obtained ISO9001 / ISO / TS16949 certification.
- 5) "Automotive" product is AEC-Q200 compliant.



Part No.	Size		No. of terminals	No. of elements	Type Code		Packing Specification	Quantity / Reel
	(mm)	(inch)			GENERAL PURPOSE	AUTOMOTIVE *Corresponds to AEC-Q200		
MNR02	1005 × 2	0402 × 2	4	2	MRAP	M0AP	Paper tape (2mm Pitch)	10,000
MNR04	1005 × 4	0402 × 4	8	4	MRAP	M0AP		
MNR12	1608 × 2	0603 × 2	4	2	ERAP	E0AP	Paper tape (4mm Pitch)	5,000
MNR14	1608 × 4	0603 × 4	8	4	ERAP	E0AP		
MNR15	1608 × 5	0603 × 5	10	8	ERRP	E0RP		
MNR18	1605 × 8	0602 × 8	16	8	ERAP	E0AP		
MNR32	3216 × 2	1206 × 2	4	2	J0AB		Embossed tape (4mm Pitch)	4,000
MNR34	3216 × 4	1206 × 4	8	4	J5AB			
MNR35	3216 × 5	1206 × 5	10	8	J5R			

*Please contact us for status of AEC-Q200 on "General purpose" products.

Part Number Description

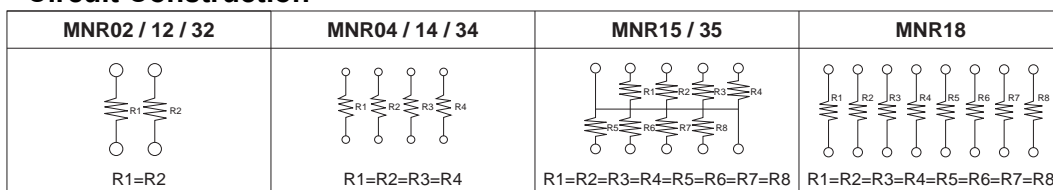
M N R	0 2	M 0 A P	J	1 0 5						
Part No. MNR (Chip Resistor Networks)	Size (mm [inch]) 02 (1005 [0402] × 2) 04 (1005 [0402] × 4) 12 (1608 [0603] × 2) 14 (1608 [0603] × 4) 15 (1608 [0603] × 5) 18 (1605 [0602] × 8) 32 (3216 [1206] × 2) 34 (3216 [1206] × 4) 35 (3216 [1206] × 5)	Type Code	Resistance Tolerance F (±1%) J (±5%)(Including jumper type)	Nominal Resistance Resistance code, 3 or 4 digits. 000 denotes jumper type. <table border="1" style="width: 100%;"><thead><tr><th>Resistance tolerance</th><th>Resistance code</th></tr></thead><tbody><tr><td>F</td><td>: 4 digits</td></tr><tr><td>J</td><td>: 3 digits</td></tr></tbody></table> Ex.) 1Ω = 1R0 (±5%) 9.1Ω = 9R1 (±5%) 10Ω = 10R0 (±1%) 100 (±5%) 1MΩ = 1004 (±1%) 105 (±5%)	Resistance tolerance	Resistance code	F	: 4 digits	J	: 3 digits
Resistance tolerance	Resistance code									
F	: 4 digits									
J	: 3 digits									

●Products List

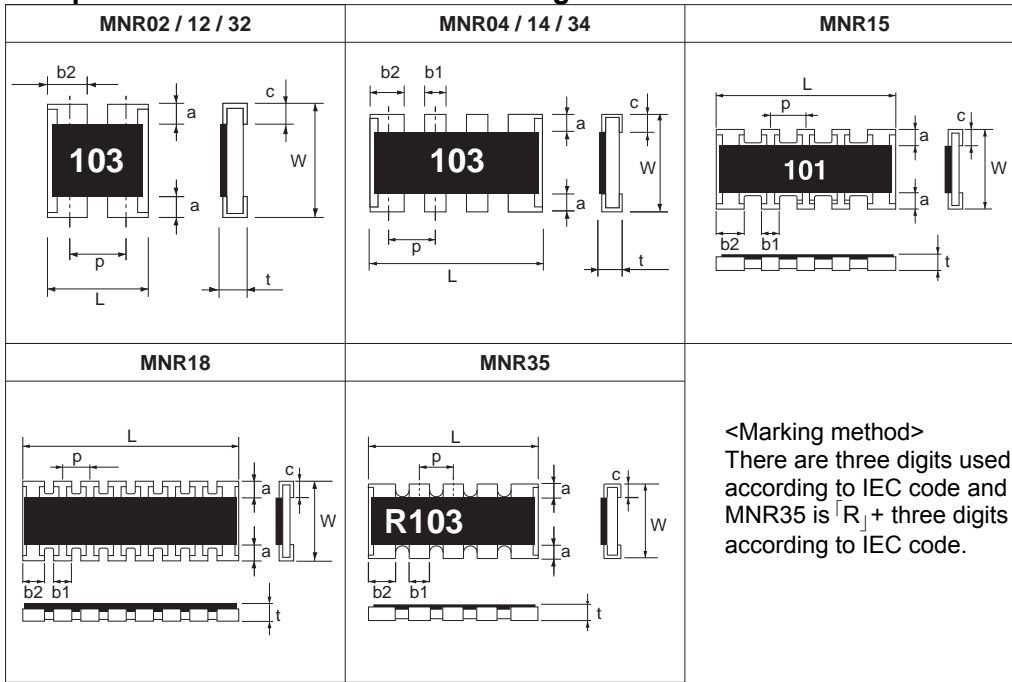
Part No.	Type Code	Rated Power (70°C) (W)	Limiting Element Voltage (V)	Maximum Overload Voltage (V)	Temperature Coefficient (ppm / °C)	Resistance Tolerance (%)	Resistance Range	Series	Operating Temperature Range (°C)
MNR02	M0AP	0.063 / Element	25	-	±200	J(±5%)	10Ω to 1MΩ	E24	-55 to +155
MNR04	M0AP	0.063 / Element	25	50	+500/-250	J(±5%)	1Ω to 9.1Ω	E24	
					±200		10Ω to 1MΩ		
Jumper type : Rmax = 50mΩ / Imax. = 1A (Element)									
MNR12	E0AP	0.063 / Element	50	-	±200	J(±5%)	10Ω to 1MΩ	E24	
					±100	F(±1%)	10Ω to 1MΩ		
Jumper type : Rmax = 50mΩ / Imax. = 1A (Element)									
MNR14	E0AP	0.063 / Element	50	-	±500	J(±5%)	2.2Ω to 6.8Ω	E6	
					±200		10Ω to 1MΩ	E24	
					±100	F(±1%)	10Ω to 1MΩ		
Jumper type : Rmax = 50mΩ / Imax. = 1A (Element)									
MNR15	E0RP	0.031 / Element	12.5	-	±200	J(±5%)	56Ω to 100kΩ	E24	
MNR18	E0AP	0.063 / Element	25	-	±200	J(±5%)	10Ω to 1MΩ	E24	
									Jumper type : Rmax = 50mΩ / Imax. = 1A (Element)
MNR32	J0AB	0.125 / Element	200	400	±200	J(±5%)	10Ω to 1MΩ	E24	-55 to +125
MNR34	J5AB	0.125 / Element	200	400	±200	J(±5%)	10Ω to 1MΩ	E24	
MNR35	J5R	0.063 / Element	50	100	±200	J(±5%)	56Ω to 100kΩ	E12	

*Design and specifications are subject to change without notice. Carefully check the specification sheet supplied with the product before using or ordering it.

●Circuit Construction



●Chip Resistor Dimensions and Markings

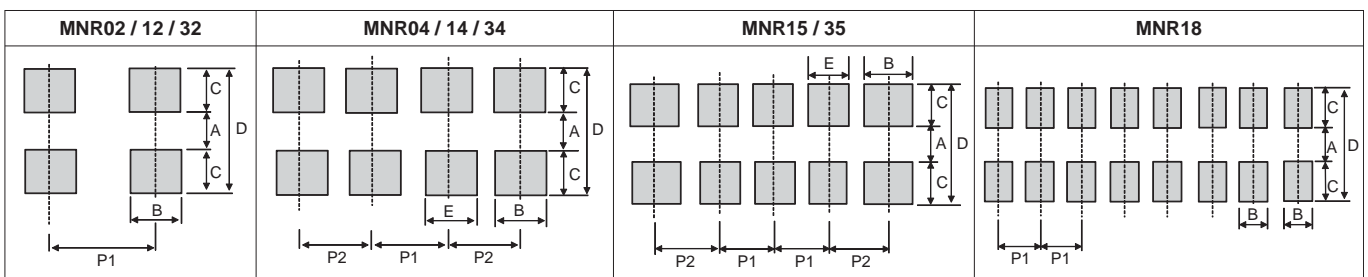


<Marking method>
 There are three digits used for the calculation number according to IEC code and "R" is used for the decimal point. MNR35 is "R" + three digits used for the calculation number according to IEC code.

(Unit : mm)

Part No.	Type Code	(mm)	(inch)	L	W	t	a	b1	b2	c	p	Marking existence *Including jumper type
MNR02	M0AP	1005 × 2	0402 × 2	1.0±0.1	1.0±0.1	0.35±0.1	0.2±0.1	—	0.33 ^{+0.1} ₀	0.25±0.1	0.68	No
MNR04	M0AP	1005 × 4	0402 × 4	2.0±0.1	1.0±0.1	0.35±0.1	0.2±0.1	0.3±0.1	0.4±0.1	0.25±0.1	0.5	No
MNR12	E0AP	1608 × 2	0603 × 2	1.6±0.1	1.6±0.1	0.5±0.1	0.3±0.2	—	0.6±0.15	0.25±0.15	0.8	Yes
MNR14	E0AP	1608 × 4	0603 × 4	3.2±0.1	1.6±0.1	0.5±0.1	0.3±0.2	0.4±0.15	0.6±0.15	0.25±0.15	0.8	Yes
MNR15	E0AP	1608 × 5	0603 × 5	3.2±0.1	1.6±0.1	0.5±0.1	0.3±0.1	0.32±0.15	0.48±0.15	0.3±0.1	0.64	Yes
MNR18	J5AB	1605 × 8	0602 × 8	3.8±0.1	1.6±0.1	0.45±0.1	0.3±0.2	0.3±0.1	0.3±0.1	0.3±0.2	0.5	No
MNR32	E0RP	3216 × 2	1206 × 2	2.6±0.2	3.1±0.2	0.55±0.1	0.5±0.3	—	1.0±0.2	0.5Max	1.27	Yes
MNR34	E0AP	3216 × 4	1206 × 4	5.2±0.4	3.1±0.2	0.55±0.1	0.5±0.3	0.8±0.2	1.0±0.2	0.5Max	1.27	Yes
MNR35	J5R	3216 × 5	1206 × 5	6.4±0.4	3.1±0.2	0.55±0.1	0.5±0.3	0.8±0.2	1.0±0.2	0.5Max	1.27	Yes

●Land pattern Example



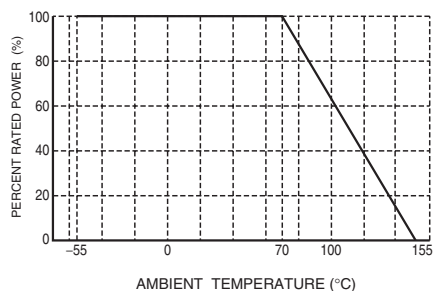
(Unit : mm)

Part No.	Type Code	A	B	C	D	E	P1	P2
MNR02	M0AP	0.5	0.35 to 0.4	0.5	1.5	—	0.65 to 0.7	—
MNR04	M0AP	0.5	0.4	0.5	1.5	0.3	0.5	0.5 to 0.55
MNR12	E0AP	1.0	0.4 to 0.6	0.7 to 0.8	2.4 to 2.6	—	0.8 to 1.0	—
MNR14	E0AP	1.0	0.4 to 0.6	0.7 to 0.8	2.4 to 2.6	0.4	0.8	0.8 to 0.9
MNR15	E0RP	1.0	0.48	0.7 to 0.8	2.4 to 2.6	0.32	0.64	0.72
MNR18	E0AP	1.0	0.3	0.7 to 0.8	2.4 to 2.6	—	0.5	—
MNR32	J0AB	2.1	0.8 to 1.0	0.8 to 1.0	3.7 to 4.1	—	1.27 to 1.6	—
MNR34	J5AB	2.1	0.8 to 1.0	0.8 to 1.0	3.7 to 4.1	0.7 to 0.8	1.27 to 1.35	1.27 to 1.45
MNR35	J5R	2.1	0.8 to 1.0	0.8 to 1.0	3.7 to 4.1	0.7 to 0.8	1.27 to 1.3	1.27 to 1.4

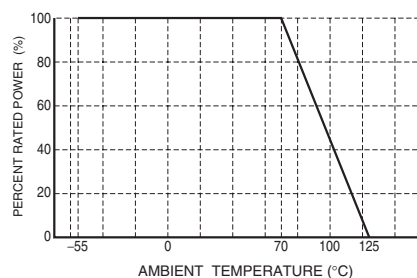
●Derating Curve

When the ambient temperature exceeds 70°C, power dissipation must be adjusted according to the derating curves below.

■ MNR02 / 04 / 12 / 14



■ MNR15 / 18 / 32 / 34 / 35



●Characteristics

Test Items	Guaranteed Value		Test Conditions
	Resistor Type	Jumper Type	
Resistance	See "Products List"		20°C
Variation of resistance with temperature	See "Products List"		Measurement : +20 / -55 / +20 / +125°C
Overload	± (2.0%+0.1Ω)	Max. 50mΩ	Rated voltage (current) ×2.5, 2s. Maximum overload voltage
Solderability	A new uniform coating of minimum of 95% of the surface being immersed and no soldering damage.		Rosin-Ethanol : 25% (weight) Soldering condition : 235±5°C Duration of immersion : 2.0±0.5s
Resistance to soldering heat	± (1.0%+0.05Ω) ± (1.0%+0.1Ω)※MNR35 No remarkable abnormality on the appearance.	Max. 50mΩ	Soldering condition : 260±5°C Duration of immersion : 10±1s
Rapid change of temperature	± (1.0%+0.05Ω) ± (1.0%+0.1Ω)※MNR35	Max. 50mΩ	Test temp. : -55°C to +125°C 5cycle
Damp heat, steady state	± (3.0%+0.1Ω)	Max. 100mΩ	40°C, 93%RH (Relative Humidity) Test time : 1,000h to 1,048h
Endurance at 70°C	± (3.0%+0.1Ω)	Max. 100mΩ	70°C Rated voltage (current) 1.5h : ON – 0.5h : OFF Test time : 1,000h to 1,048h
Endurance	± (3.0%+0.1Ω)	Max. 100mΩ	125°C (MNR15 / 18 / 32 / 34 / 35) 155°C (MNR02 / 04 / 12 / 14) Test time : 1,000h to 1,048h
Resistance to solvent	± (1.0%+0.05Ω) ± (1.0%+0.1Ω)※MNR35	Max. 50mΩ	23±5°C, Immersion cleaning, 5±0.5min Solvent : 2-propanol
Bend strength of the end face plating	± (1.0%+0.05Ω) Without mechanical damage such as breaks.	Max. 50mΩ	—

Compliance Standard(s) : IEC60115-8
JISC 5201-8

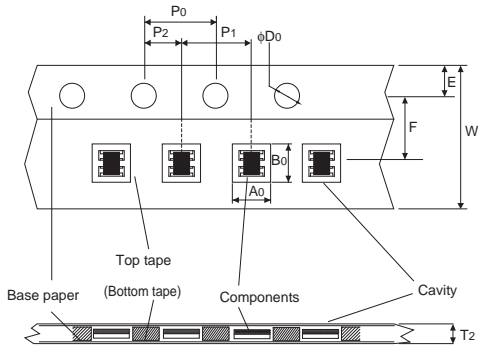
●Chip weight (typical value)

Parameter	Unit	MNR02 M0AP	MNR04 M0AP	MNR12 E0AP	MNR14 E0AP	MNR15 E0RP	MNR18 E0AP	MNR32 J0AB	MNR34 J5AB	MNR35 J5R
Weight	mg/pc	1.04	2.22	4.04	7.55	7.41	8.90	15.9	31.2	38.4

●Tape Dimensions

(Unit : mm)

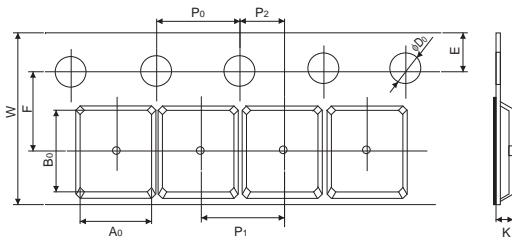
■ Paper Tape



Part No.	Type Code	W	F	E	A0	B0
MNR02	M0AP	8.0±0.3	3.5±0.05	1.75±0.1	1.17±0.1	1.17±0.1
MNR04	M0AP	8.0±0.3	3.5±0.05	1.75±0.1	1.2±0.1	2.2±0.1
MNR12	E0AP	8.0±0.3	3.5±0.05	1.75±0.1	1.8±0.1	1.8±0.1
MNR14	E0AP	8.0±0.3	3.5±0.05	1.75±0.1	1.8±0.1	3.4±0.1
MNR15	E0RP	8.0±0.3	3.5±0.05	1.75±0.1	1.8±0.1	3.4±0.1
MNR18	E0AP	8.0±0.3	3.5±0.05	1.75±0.1	1.95±0.15	4.1±0.15

Part No.	Type Code	D0	P0	P1	P2	T2
MNR02	M0AP	φ1.5 ^{+0.1} ₀	4.0±0.1	2.0±0.1	2.0±0.05	Max 0.5
MNR04	M0AP	φ1.5 ^{+0.1} ₀	4.0±0.1	2.0±0.1	2.0±0.05	Max 1.1
MNR12	E0AP	φ1.5 ^{+0.1} ₀	4.0±0.1	4.0±0.1	2.0±0.05	Max 1.1
MNR14	E0AP	φ1.5 ^{+0.1} ₀	4.0±0.1	4.0±0.1	2.0±0.05	Max 1.1
MNR15	E0RP	φ1.5 ^{+0.1} ₀	4.0±0.1	4.0±0.1	2.0±0.05	Max 1.1
MNR18	E0AP	φ1.5 ^{+0.1} ₀	4.0±0.1	4.0±0.1	2.0±0.05	Max 1.1

■ Embossed Tape



(Unit : mm)

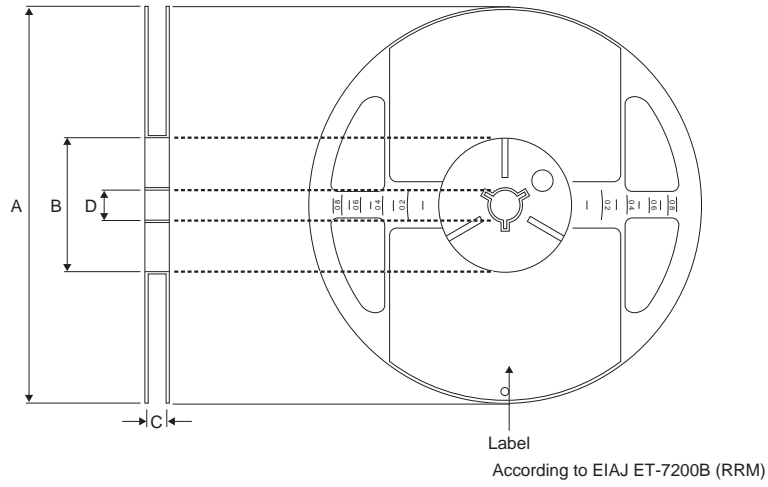
Part No.	Type Code	W	F	E	A0	B0
MNR32	J0AB	8.0±0.3	3.5±0.05	1.75±0.1	3.0±0.1	3.5±0.1
MNR34	J5AB	12.0±0.3	5.5±0.05	1.75±0.1	3.4±0.1	5.6±0.1
MNR35	J5R	12.0±0.3	5.5±0.05	1.75±0.1	3.4±0.1	6.6±0.1

Part No.	Type Code	D0	P0	P1	P2	K
MNR32	J0AB	φ1.5 ^{+0.1} ₀	4.0±0.1	4.0±0.1	2.0±0.05	0.9±0.1
MNR34	J5AB	φ1.5 ^{+0.1} ₀	4.0±0.1	4.0±0.1	2.0±0.05	1.0±0.15
MNR35	J5R	φ1.5 ^{+0.1} ₀	4.0±0.1	4.0±0.1	2.0±0.05	1.0±0.15

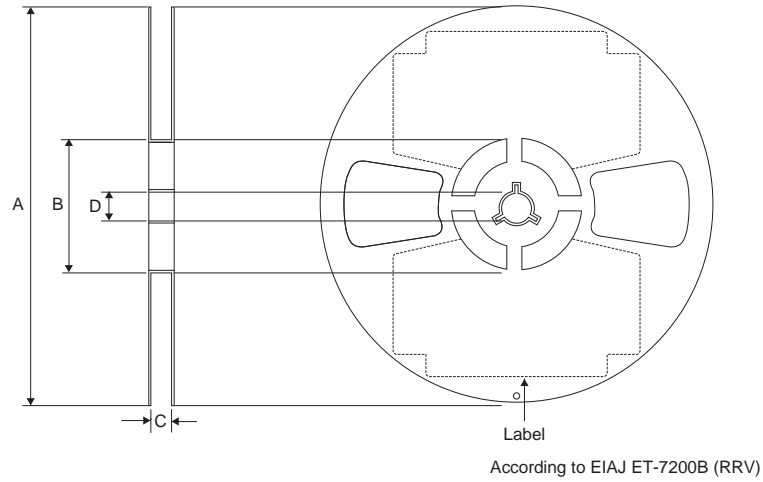
●Reel Dimensions

Using two kinds of reels for taping. (*MNR34/35 applies Fig. 1 only.)

■ Fig.1



■ Fig.2



(Unit : mm)

Part No.	Type Code	A	B	C	D
MNR02	M0AP	φ180 ⁰ _{-1.5}	φ60 ^{+1.0} ₀	9 ^{+1.0} ₀	φ13±0.2
MNR04	M0AP				
MNR12	E0AP				
MNR14	E0AP				
MNR15	E0RP			13 ^{+1.0} ₀	
MNR18	E0AP				
MNR32	J0AB				
MNR34	J5AB				
MNR35	J5R				

Notes

- 1) The information contained herein is subject to change without notice.
- 2) Before you use our Products, please contact our sales representative and verify the latest specifications :
- 3) Although ROHM is continuously working to improve product reliability and quality, semiconductors can break down and malfunction due to various factors.
Therefore, in order to prevent personal injury or fire arising from failure, please take safety measures such as complying with the derating characteristics, implementing redundant and fire prevention designs, and utilizing backups and fail-safe procedures. ROHM shall have no responsibility for any damages arising out of the use of our Products beyond the rating specified by ROHM.
- 4) Examples of application circuits, circuit constants and any other information contained herein are provided only to illustrate the standard usage and operations of the Products. The peripheral conditions must be taken into account when designing circuits for mass production.
- 5) The technical information specified herein is intended only to show the typical functions of and examples of application circuits for the Products. ROHM does not grant you, explicitly or implicitly, any license to use or exercise intellectual property or other rights held by ROHM or any other parties. ROHM shall have no responsibility whatsoever for any dispute arising out of the use of such technical information.
- 6) The Products are intended for use in general electronic equipment (i.e. AV/OA devices, communication, consumer systems, gaming/entertainment sets) as well as the applications indicated in this document.
- 7) The Products specified in this document are not designed to be radiation tolerant.
- 8) For use of our Products in applications requiring a high degree of reliability (as exemplified below), please contact and consult with a ROHM representative : transportation equipment (i.e. cars, ships, trains), primary communication equipment, traffic lights, fire/crime prevention, safety equipment, medical systems, servers, solar cells, and power transmission systems.
- 9) Do not use our Products in applications requiring extremely high reliability, such as aerospace equipment, nuclear power control systems, and submarine repeaters.
- 10) ROHM shall have no responsibility for any damages or injury arising from non-compliance with the recommended usage conditions and specifications contained herein.
- 11) ROHM has used reasonable care to ensure the accuracy of the information contained in this document. However, ROHM does not warrants that such information is error-free, and ROHM shall have no responsibility for any damages arising from any inaccuracy or misprint of such information.
- 12) Please use the Products in accordance with any applicable environmental laws and regulations, such as the RoHS Directive. For more details, including RoHS compatibility, please contact a ROHM sales office. ROHM shall have no responsibility for any damages or losses resulting non-compliance with any applicable laws or regulations.
- 13) When providing our Products and technologies contained in this document to other countries, you must abide by the procedures and provisions stipulated in all applicable export laws and regulations, including without limitation the US Export Administration Regulations and the Foreign Exchange and Foreign Trade Act.
- 14) This document, in part or in whole, may not be reprinted or reproduced without prior consent of ROHM.



Thank you for your accessing to ROHM product informations.
More detail product informations and catalogs are available, please contact us.

ROHM Customer Support System

<http://www.rohm.com/contact/>