



EVERLIGHT ELECTRONICS CO.,LTD.

Device Number : DLE-734-002 REV: 1.0

T-1 3/4 (5mm) Round Shape LEDs

PART NO : 7343-2USRC/S1060 ECN : _____ Page: 1/5

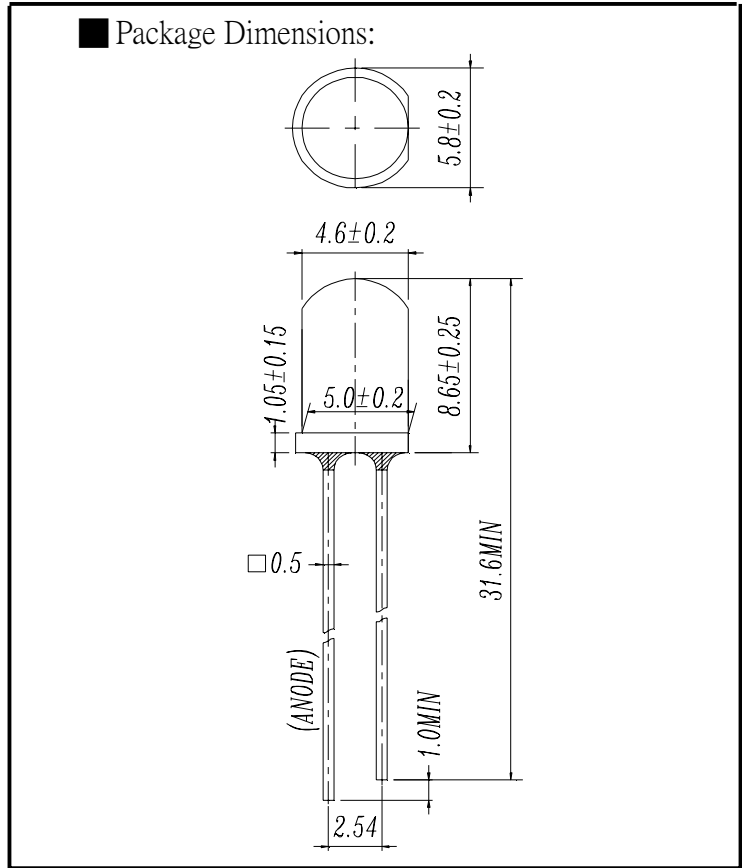
Features :

- Popular T-1 3/4 diameter package.
- Choice of various viewing angles.
- Available on tape and reel.
- Reliable and robust.

Descriptions :

- The series is specially designed for applications requiring higher brightness.
- The LED lamps are available with different colors,intensities, epoxy colors, etc.

Package Dimensions:



Applications :

- TV Set
- Monitor
- Telephone
- Computer

Notes :

- 1.All dimensions are in millimeters.
- 2.An epoxy meniscus may extend about 1.5mm(0.059") down to the lead.
- 3.Tolerances unless dimension ± 0.25 mm

PART NO	Chip		Lens Color
	Material	Emitted Color	
7343-2USRC/S1060	AlGaInP	Super Red	Water Clear

C90010319

OFFICE : NO. 25,Lane 76,Sec.3, Chung Yang Rd., Tucheng 236, Taipei, Taiwan, R.O.C.

TEL : 886-2-2267-2000,2267-9936

FAX : 886-2-2267-6244,22676189,22676306

<http://www.everlight.com>



EVERLIGHT ELECTRONICS CO.,LTD.

Device Number : DLE-734-002 REV: 1.0

T-1 3/4 (5mm) Round Shape LEDs

PART NO : 7343-2USRC/S1060 ECN : Page: 2/5

■ Absolute Maximum Ratings at Ta = 25°C

Parameter	Symbol	Rating	Unit
Forward Current	IF	50	mA
Operating Temperature	Topr	-40 to +85	°C
Storage Temperature	Tstg	-40 to +100	°C
Soldering Temperature	Tsol	260 ± 5	°C
Electrostatic Discharge	ESD	2000	V
Power Dissipation	Pd	120	mW
Peak Forward Current(Duty 1/10 @ 1KHz)	IF(Peak)	200	mA
Reverse Voltage	VR	5	V

■ Electronic Optical Characteristics :

Parameter	Symbol	Min.	Typ.	Max.	Unit	Condition
Luminous Intensity	Iv	2500	3500	----	mcd	IF=20mA
Viewing Angle	2θ 1/2	----	30	----	deg	IF=20mA
Peak Wavelength	λ p	----	639	----	nm	IF=20mA
Dominant Wavelength	λ d	----	625	----	nm	IF=20mA
Spectrum Radiation Bandwidth	△ λ	----	20	----	nm	IF=20mA
Forward Voltage	VF	----	2.3	2.6	V	IF=20mA
Reverse Current	IR	----	----	10	μ A	VR=5V



T-1 3/4 (5mm) Round Shape LEDs

■ Typical Electro-Optical Characteristic Curves

