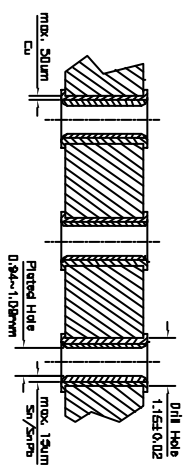
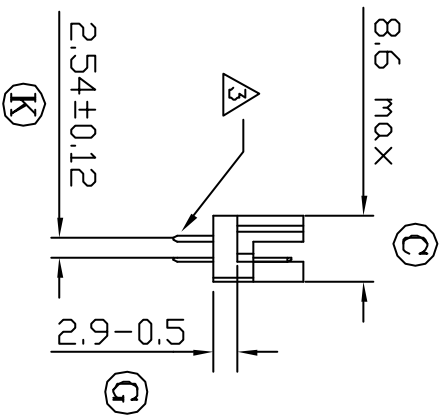
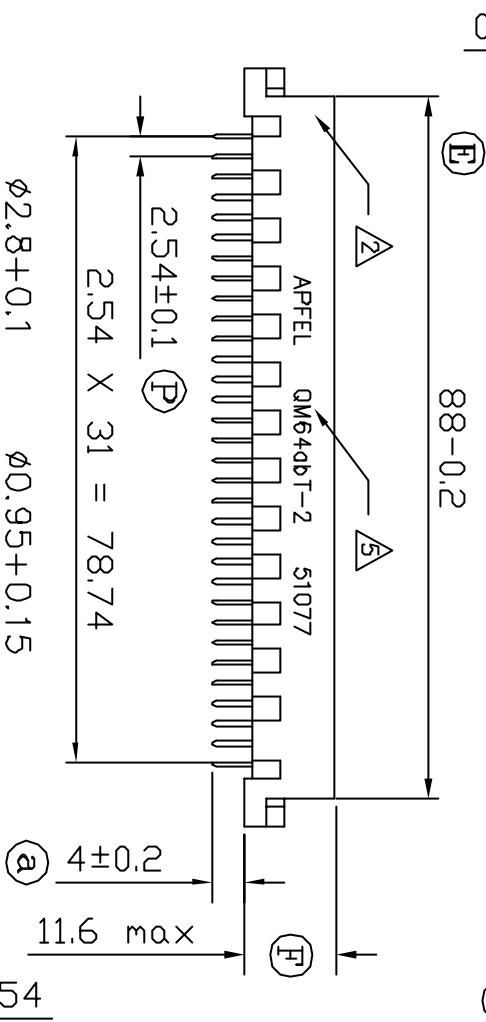
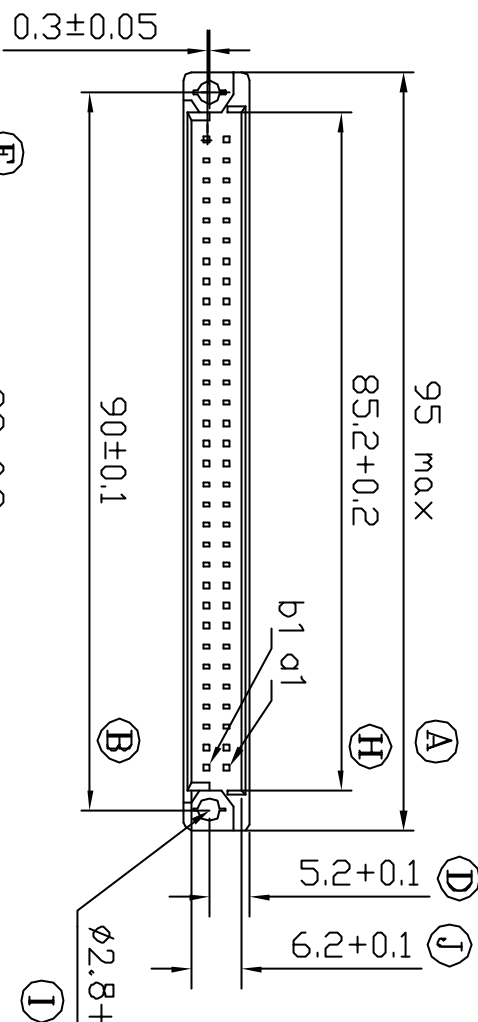
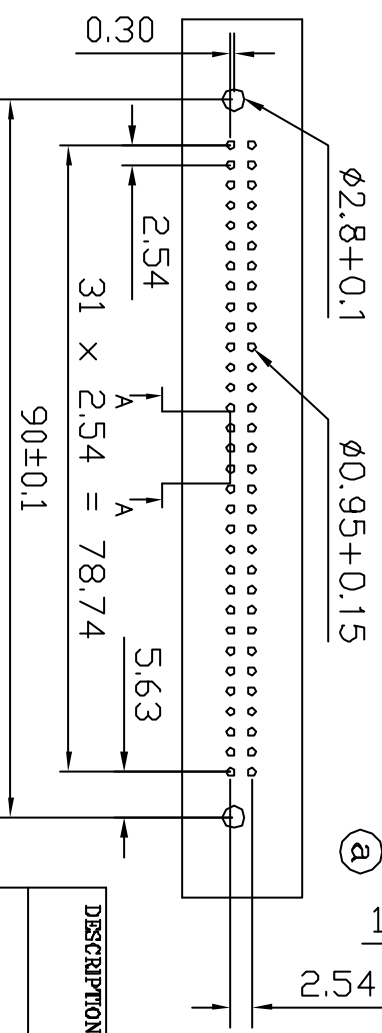


REV	DESCRIPTION OF REVISIONS	DATE	DRAWN	CHECKED
A	FIRST RELEASE	05/03/1997	ST Ling	H Shen

- NOTES :
- △ CONNECTOR MEETS REQUIREMENT OF DIN 41612
 - △ MATERIAL :
 - △ HOUSING : GLASS-FILLED PBT, COLOR GREY, UL 94V-0
 - △ CONTACT : COPPER ALLOY
 - △ CONTACT TAIL DIMENSION (THICKNESS x WIDTH x LENGTH)
 - T : 0.48±0.03 x 0.48±0.03 x 4±0.2
 - T1.5 : 0.48±0.03 x 0.48±0.03 x 2.5±0.2
 - △ CONTACT FINISH (OPTION IN PART NUMBER)
 - 1 : 30u" (0.75um) GOLD PLATING ON MATING AREA, TIN PLATING ON TAIL AREA, FLASH GOLD PLATING ON NON-MATING AREA, NICKEL UNDERPLATE ALLOWER
 - 2 : 15u" (0.38um) GOLD PLATING ON MATING AREA, TIN PLATING ON TAIL AREA, FLASH GOLD PLATING ON NON-MATING AREA, NICKEL UNDERPLATE ALLOWER
 - BLANK : FLASH GOLD PLATING ON MATING AREA AND NON-MATING AREA, TIN PLATING ON TAIL AREA, NICKEL UNDERPLATE ALLOWER
 - △ CONNECTOR PRINTED WITH COMPANY NAME, PART NUMBER, AND BATCH NUMBER



RECOMMENDED HOLE SPECIFICATIONS
SECTION A-A
SCALE 6 : 1



DESCRIPTION : MALE, TYPE Q, 64 CONTACTS,
STRAIGHT SOLDER CONNECTOR
CUSTOMER DRAWING

PART NUMBER

NO.1 QM64abT-1	NO.4 QM64abT2-5-1
NO.2 QM64abT-2	NO.5 QM64abT2-5-2
NO.3 QM64abT	NO.6 QM64abT2-5

APPFL

MILLIMETERS
X.XX ±0.012
X.XX ±0.05
X.X ±0.1
X ±0.25

DRAWN	UNIT	ANGLE	DRAWING NO.
ST Ling	MM	±1°	F0076.DWG
CHECKED	SCALE	REV	
H Shen	1:1	A	

RECOMMENDED PCB HOLE LAYOUT
COMPONENT SIDE
SCALE 1 : 1