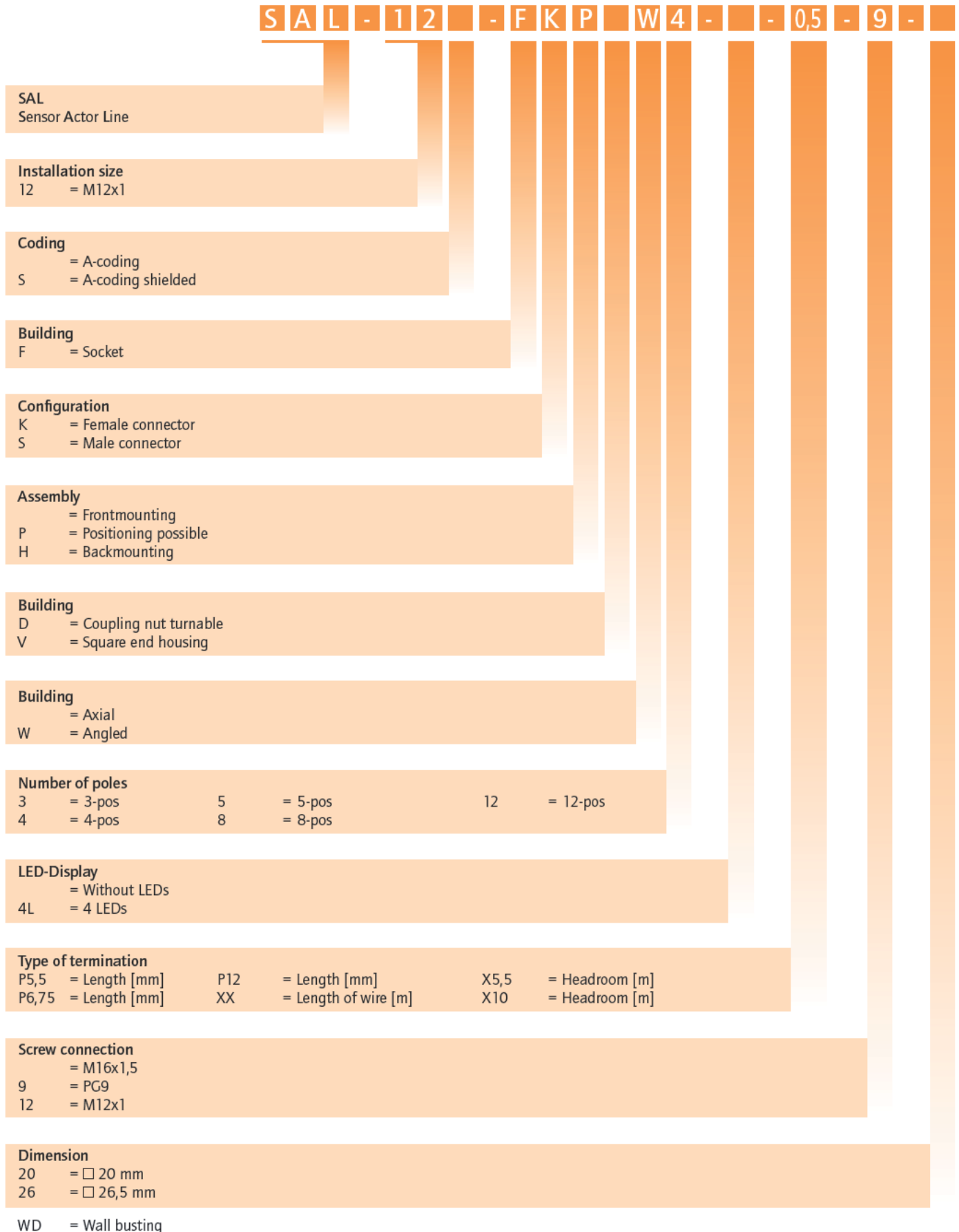


# SAL M12x1 SOCKETS

## Nomenclature



# SAL M12x1 SOCKETS

## Products specification

<b>Basic material</b>	
Contact	CuZn
Contact plating	Nickel-plated, gold-plated
Contact carrier	PBT GF, UL 94 / PA, UL 94 / TPU GF, UL 94
Sealing	FPM / NBR
Counter nut	CuZn, nickel-plated
Socket housing	CuZn, nickel-plated
Grouting	Polyurethane-resin, UL 94
Shroud	Spring steel
Shroud plated	Sn plated
Coupling nut turnable	GD-Zn, nickel-plated
Light conductor	PA 12

### Technical Data

Information on the following pages are basing on below mentioned IEC-standards.

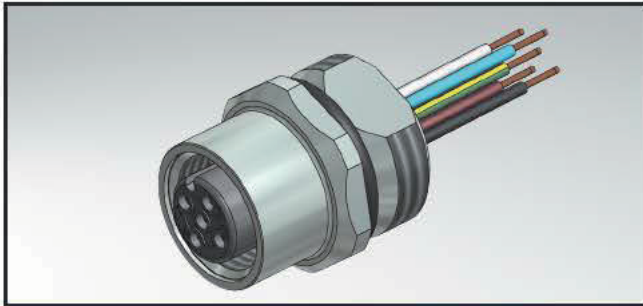
Rated voltage	IEC 61076-2-101
Current rating	IEC 61076-2-101
Insulation resistance	IEC 60512
Pollution degree	IEC 60664-1
Degree of protection	IEC 60529
Temperature range	IEC 60664-1
Mating cycles	IEC 60512-9a

Recommended torque: 0,8-1,2 Nm

Technical subject to change without notice.

# SAL M12x1 CONNECTORS

Female socket with wire, frontmounting, M16x1,5-thread



RoHS compliant – UL listed, File no.: CYJV2.E318363

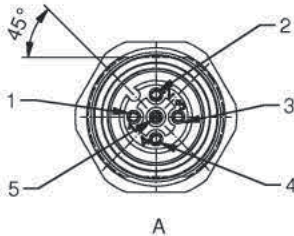
## TECHNICAL DATA

Rated voltage	4-pos	5-pos	8-pos
	250V	60V	30V
Current rating	4A at +40°C (4- and 5-pos)		
	2A at +40°C (8-pos)		
Pollution degree	3 / 2		
Insulation resistance	≥ 100 MΩ		
Degree of protection	IP67 in mated condition		
Temperature range	-30°C to +80°C		
Mating cycles	≥ 100		

## PRODUCT DRAWING

### Pin Configuration

4/5-pos

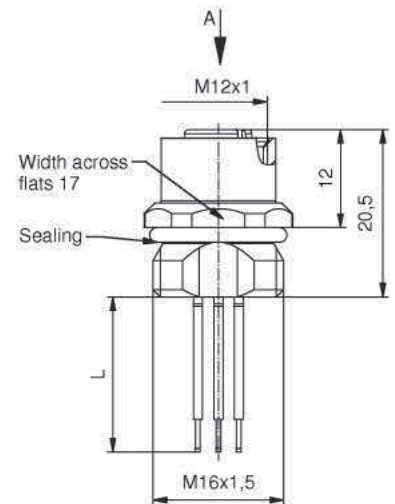


### Contact Assignment

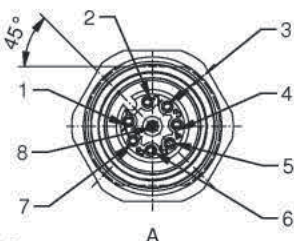
5-pos

- 1) brown
- 2) white
- 3) blue
- 4) black
- 5) green-yellow

### Dimension



8-pos



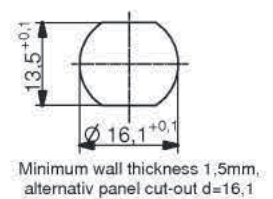
5.1-pos

- 1) brown
- 2) white
- 3) blue
- 4) black
- 5) grey

8-pos

- 1) white
- 2) brown
- 3) green
- 4) yellow
- 5) grey
- 6) pink
- 7) blue
- 8) red

### Cut-Out Front Panel



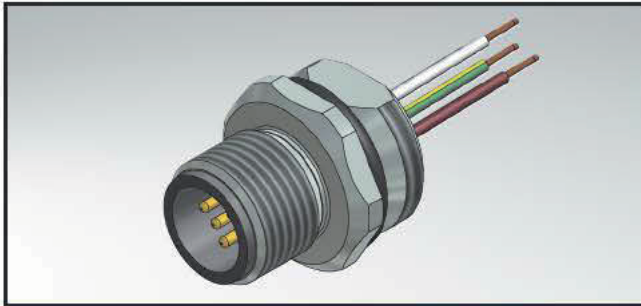
## ORDER DATA

Wire	Length/L	Description	4-pos Part-no.	Description	5-pos Part-no.	Description	8-pos Part-no.
PVC, AWG24, UL	0,5m	SAL-12-FK4-0,5	43-01000	SAL-12-FK5-0,5	43-01001	SAL-12-FK8-0,5	43-01002
	0,5m			SAL-12-FK5.1-0,5	43-01045		

Accessories (hex nut) in section 9

# SAL M12x1 CONNECTORS

Male socket with wire, frontmounting, M16x1,5-thread



RoHS compliant – UL listed, File no.: CYJV2.E318363

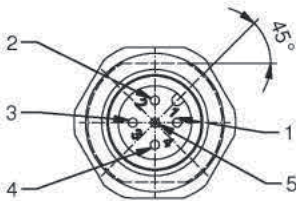
### TECHNICAL DATA

Rated voltage	4-pos	5-pos	8-pos
	250V	60V	30V
Current rating	4A at +40°C (4- and 5-pos)		
	2A at +40°C (8-pos)		
Pollution degree	3 / 2		
Insulation resistance	≥ 100 MΩ		
Degree of protection	IP67 in mated condition		
Temperature range	-30°C to +80°C		
Mating cycles	≥ 100		

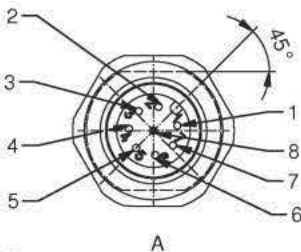
### PRODUCT DRAWING

#### Pin Configuration

4/5-pos



8-pos



#### Contact Assignment

5-pos

- 1 brown
- 2 white
- 3 blue
- 4 black
- 5 green-yellow

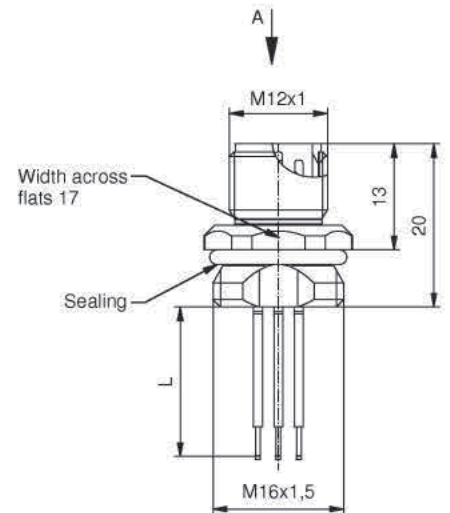
5.1-pos

- 1 brown
- 2 white
- 3 blue
- 4 black
- 5 grey

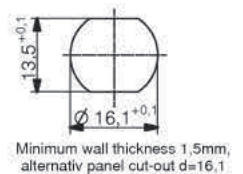
8-pos

- 1 white
- 2 brown
- 3 green
- 4 yellow
- 5 grey
- 6 pink
- 7 blue
- 8 red

#### Dimension



#### Cut-Out Front Panel



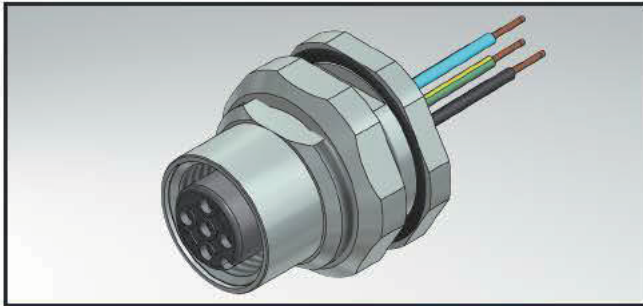
### ORDER DATA

Wire	Length/L	Description	4-pos Part-no.	Description	5-pos Part-no.	Description	8-pos Part-no.
PVC, AWG24, UL	0,5m	SAL-12-FS4-0,5	43-01009	SAL-12-FS5-0,5	43-01010	SAL-12-FS8-0,5	43-01011
	0,5m			SAL-12-FS5.1-0,5	43-01049		

Accessories (hex nut) in section 9

# SAL M12x1 CONNECTORS

Female socket with wire, backmounting, M16x1,5-thread



RoHS compliant – UL listed, File no.: CYJV2.E318363

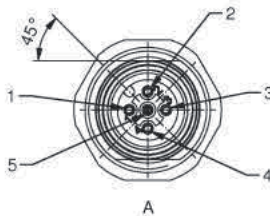
## TECHNICAL DATA

Rated voltage	4-pos	5-pos	8-pos
	250V	60V	30V
Current rating	4A at +40°C (4- and 5-pos)		
	2A at +40°C (8-pos)		
Pollution degree	3 / 2		
Insulation resistance	≥ 100 MΩ		
Degree of protection	IP67 in mated condition		
Temperature range	-30°C to +80°C		
Mating cycles	≥ 100		

## PRODUCT DRAWING

### Pin Configuration

4/5-pos

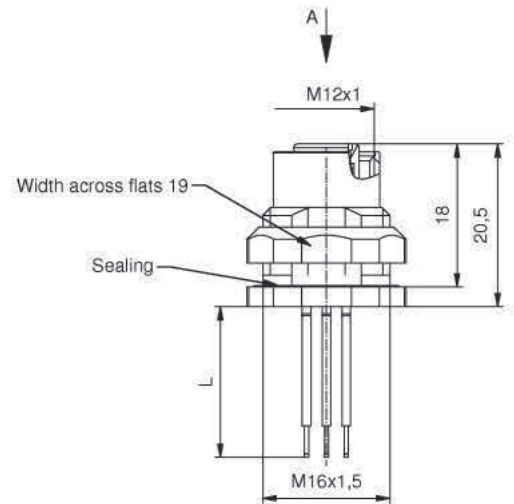


### Contact Assignment

5-pos

- 1) brown
- 2) white
- 3) blue
- 4) black
- 5) green-yellow

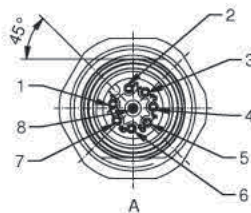
### Dimension



5.1-pos

- 1) brown
- 2) white
- 3) blue
- 4) black
- 5) grey

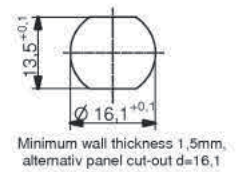
8-pos



8-pos

- 1) white
- 2) brown
- 3) green
- 4) yellow
- 5) grey
- 6) pink
- 7) blue
- 8) red

### Cut-Out Front Panel



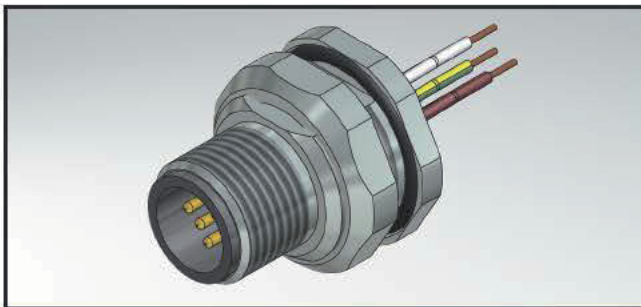
## ORDER DATA

Wire	Length/L	Description	4-pos Part-no.	Description	5-pos Part-no.	Description	8-pos Part-no.
PVC, AWG24, UL	0,5m	SAL-12-FKH4-0,5	43-01003	SAL-12-FKH5-0,5	43-01004	SAL-12-FKH8-0,5	43-01005
	0,5m			SAL-12-FKH5.1-0,5	43-01048		



# SAL M12x1 CONNECTORS

Male socket with wire, backmounting, M16x1,5-thread



RoHS compliant – UL listed, File no.: CYJV2.E318363

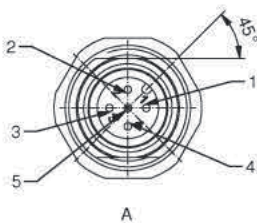
## TECHNICAL DATA

Rated voltage	4-pos	5-pos	8-pos
	250V	60V	30V
Current rating	4A at +40°C (4- and 5-pos)		
	2A at +40°C (8-pos)		
Pollution degree	3 / 2		
Insulation resistance	≥ 100 MΩ		
Degree of protection	IP67 in mated condition		
Temperature range	-30°C to +80°C		
Mating cycles	≥ 100		

## PRODUCT DRAWING

### Pin Configuration

4/5-pos



### Contact Assignment

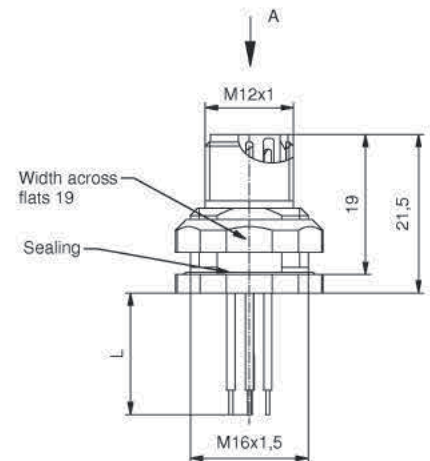
5-pos

- 1 brown
- 2 white
- 3 blue
- 4 black
- 5 green-yellow

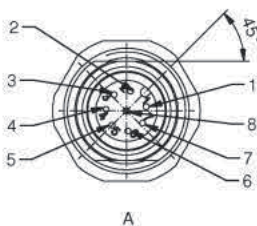
5.1-pos

- 1 brown
- 2 white
- 3 blue
- 4 black
- 5 grey

### Dimension



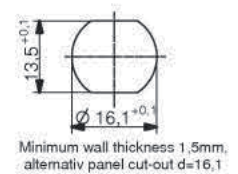
8-pos



8-pos

- 1 white
- 2 brown
- 3 green
- 4 yellow
- 5 grey
- 6 pink
- 7 blue
- 8 red

### Cut-Out Front Panel



## ORDER DATA

Wire	Length/L	Description	4-pos Part-no.	Description	5-pos Part-no.	Description	8-pos Part-no.
PVC, AWG24, UL	0,5m	SAL-12-FSH4-0,5	43-01012	SAL-12-FSH5-0,5	43-01013	SAL-12-FSH8-0,5	43-01014
	0,5m			SAL-12-FSH5.1-0,5	43-01052		