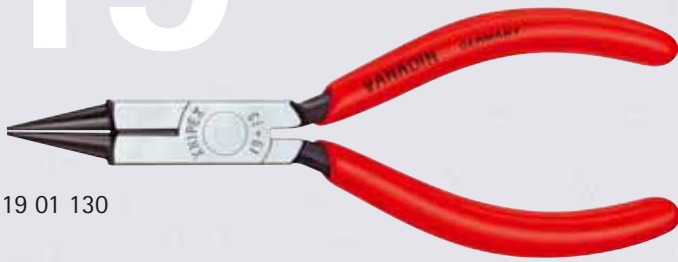
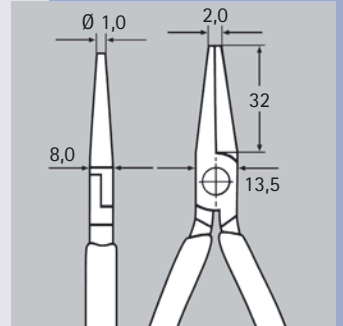
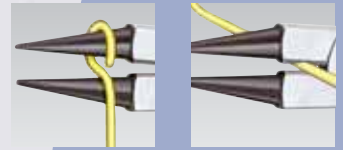


# 19 Jewellers Pliers, Round Nose Pliers



19 01 130

- ▶ for fine wire and jewellery work
- ▶ ideal for cutting and bending work, e.g. in electronics
- ▶ for forming wire loops
- ▶ precision ground round jaws with fine, pointed tips
- ▶ cutting edges additionally induction hardened, cutting edge hardness approx. 60 HRC
- ▶ Vanadin steel, oil-hardened and tempered



Article-No.	EAN-Code	Head	Handles	
Length mm	4003773-			g
19 01 130	014478	polished	plastic coated	70
19 03 130	014348	chrome plated	plastic coated	70

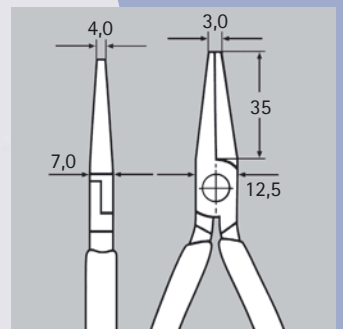
# 23 Flat Nose Plier with cutting edges, Precision Mechanics Plier



23 01 140



- ▶ suitable for gripping and cutting work in precision mechanics
- ▶ long, tapering jaws
- ▶ serrated gripping surfaces
- ▶ with cutting edges for soft wire 2.5 mm dia. and medium hard wire 1.6 mm dia.
- ▶ cutting edges additionally induction hardened, cutting edge hardness approx. 60 HRC
- ▶ high grade special tool steel, oil-hardened and tempered



Article-No.	EAN-Code	Head	Handles	
Length mm	4003773-			g
23 01 140	015918	polished	plastic coated	65