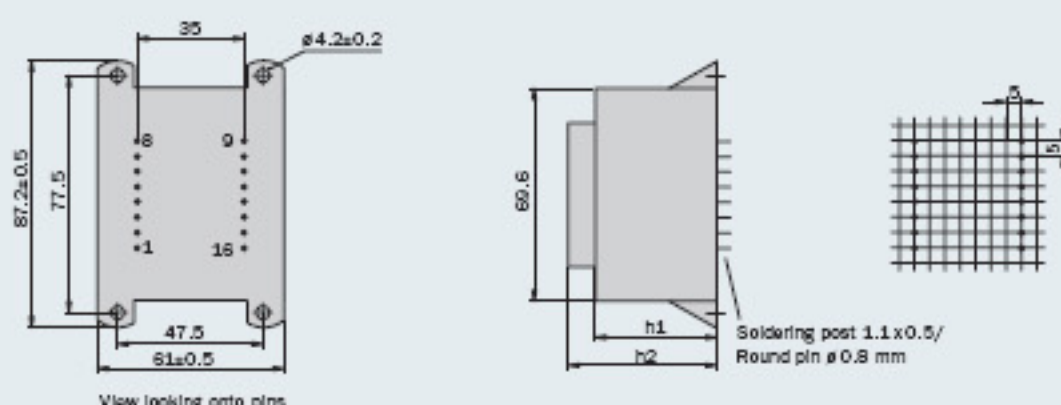




- Capacity up to 50.0 VA
- Non short-circuit-proof at temperature class ta 70°C/B
- Standard type 'KK' cast housing
- Test certifications to ENEC 10-, VDE- and cCSAus-regulations
- Excellent temperature fluctuation resistance properties
- High electrical safety and long service-life features
- High voltage resistance
- Self-extinguishing cast housing and sealing material
- Certified item quality tested

Protection by means of transformer heat coils to IEC 127 standards.



Type 'KK' cast housing with 4 fixing straps

Dimensions without tolerances ± 0.3 mm, Rights to make alterations and improvements hereby reserved

Frame size/Core height	Output ta 70 °C/B	h1 (mm)	h2 (mm)	Weight	Packaging unit
BV EI 660 /12.0 mm	17.0 VA	29.2 \pm 0.5 mm	38.5 \pm 0.5 mm	0.500 kg	16 pieces
BV EI 661 /18.0 mm	25.0 VA	34.4 \pm 0.5 mm	44.5 \pm 0.5 mm	0.700 kg	16 pieces
BV EI 662 /23.0 mm	33.0 VA	39.7 \pm 0.5 mm	48.5 \pm 0.5 mm	0.800 kg	16 pieces
BV EI 663 /30.0 mm	44.0 VA	47.0 \pm 0.5 mm	55.8 \pm 0.5 mm	0.950 kg	16 pieces
BV EI 664 /34.8 mm	47.0 VA	51.4 \pm 0.5 mm	60.2 \pm 0.5 mm	1.000 kg	16 pieces
BV EI 665 /40.0 mm	50.0 VA	56.2 \pm 0.5 mm	66.5 \pm 0.5 mm	1.200 kg	16 pieces

Order No.	Total output VA	Frame Size	Primary voltage V	Connecting pins prim.	Secondary voltage V	Current sec. mA	Connecting pins sec.	No-load voltage V
BV EI 660 1060	17.0	0	230	1-8	1 x 6	2833	11-14	1 x 7.4
BV EI 660 1061	17.0	0	230	1-8	2 x 6	1417	9-11/14-16	2 x 7.4
BV EI 660 1062	17.0	0	230	1-8	1 x 7.5	2267	11-14	1 x 9.1
BV EI 660 1063	17.0	0	230	1-8	2 x 7.5	1133	9-11/14-16	2 x 9.1
BV EI 660 1064	17.0	0	230	1-8	1 x 9	1889	11-14	1 x 10.8
BV EI 660 1065	17.0	0	230	1-8	2 x 9	944	9-11/14-16	2 x 10.8
BV EI 660 1066	17.0	0	230	1-8	1 x 12	1417	11-14	1 x 14.4
BV EI 660 1067	17.0	0	230	1-8	2 x 12	708	9-11/14-16	2 x 14.2
BV EI 660 1068	17.0	0	230	1-8	1 x 15	1133	11-14	1 x 18.0
BV EI 660 1069	17.0	0	230	1-8	2 x 15	567	9-11/14-16	2 x 17.8
BV EI 660 1070	17.0	0	230	1-8	1 x 18	944	11-14	1 x 21.0
BV EI 660 1071	17.0	0	230	1-8	2 x 18	472	9-11/14-16	2 x 21.0
BV EI 660 1072	17.0	0	230	1-8	1 x 24	708	11-14	1 x 28.0



Safety transformer



Frame size/Core height	Output ta 70 °C/B	h1 (mm)	h2 (mm)	Weight	Packaging unit
BV EI 661 /18.0 mm	25.0 VA	34.4 \pm 0.5 mm	44.5 \pm 0.5 mm	0.700 kg	16 pieces

Order No.	Total output VA	Frame Size	Primary voltage V	Connecting pins prim.	Secondary voltage V	Current sec. mA	Connecting pins sec.	No-load voltage V
BV EI 661 1073	25.0	1	230	1-8	1 x 6	4167	11-14	1 x 7.3
BV EI 661 1074	25.0	1	230	1-8	2 x 6	2083	9-11/14-16	2 x 7.3
BV EI 661 1075	25.0	1	230	1-8	1 x 7.5	3333	11-14	1 x 9.0
BV EI 661 1076	25.0	1	230	1-8	2 x 7.5	1667	9-11/14-16	2 x 9.0
BV EI 661 1077	25.0	1	230	1-8	1 x 9	2778	11-14	1 x 10.9
BV EI 661 1078	25.0	1	230	1-8	2 x 9	1389	9-11/14-16	2 x 10.6
BV EI 661 1079	25.0	1	230	1-8	1 x 12	2083	11-14	1 x 13.9
BV EI 661 1080	25.0	1	230	1-8	2 x 12	1042	9-11/14-16	2 x 13.9
BV EI 661 1081	25.0	1	230	1-8	1 x 15	1667	11-14	1 x 17.4
BV EI 661 1082	25.0	1	230	1-8	2 x 15	833	9-11/14-16	2 x 17.4
BV EI 661 1083	25.0	1	230	1-8	1 x 18	1389	11-14	1 x 20.9
BV EI 661 1084	25.0	1	230	1-8	2 x 18	694	9-11/14-16	2 x 20.5
BV EI 661 1085	25.0	1	230	1-8	1 x 24	1042	11-14	1 x 27.9

Frame size/Core height	Output ta 70 °C/B	h1 (mm)	h2 (mm)	Weight	Packaging unit
BV EI 662 /23.0 mm	33.0 VA	39.7 \pm 0.5 mm	48.5 \pm 0.5 mm	0.800 kg	16 pieces

Order No.	Total output VA	Frame Size	Primary voltage V	Connecting pins prim.	Secondary voltage V	Current sec. mA	Connecting pins sec.	No-load voltage V
BV EI 662 1086	33.0	2	230	1-8	1 x 6	5500	11-14	1 x 7.0
BV EI 662 1087	33.0	2	230	1-8	2 x 6	2750	9-11/14-16	2 x 7.0
BV EI 662 1088	33.0	2	230	1-8	1 x 7.5	4400	11-14	1 x 8.5
BV EI 662 1089	33.0	2	230	1-8	2 x 7.5	2200	9-11/14-16	2 x 8.5
BV EI 662 1090	33.0	2	230	1-8	1 x 9	3667	11-14	1 x 10.3
BV EI 662 1091	33.0	2	230	1-8	2 x 9	1389	9-11/14-16	2 x 10.3
BV EI 662 1092	33.0	2	230	1-8	1 x 12	2750	11-14	1 x 14.0
BV EI 662 1093	33.0	2	230	1-8	2 x 12	1375	9-11/14-16	2 x 14.0
BV EI 662 1094	33.0	2	230	1-8	1 x 15	2200	11-14	1 x 16.9
BV EI 662 1095	33.0	2	230	1-8	2 x 15	1100	9-11/14-16	2 x 16.9
BV EI 662 1096	33.0	2	230	1-8	1 x 18	1833	11-14	1 x 20.1
BV EI 662 1097	33.0	2	230	1-8	2 x 18	917	9-11/14-16	2 x 20.1
BV EI 662 1098	33.0	2	230	1-8	1 x 24	1375	11-14	1 x 26.8

Frame size/Core height	Output ta 70 °C/B	h1 (mm)	h2 (mm)	Weight	Packaging unit
BV EI 663 /30.0 mm	44.0 VA	47.0 \pm 0.5 mm	55.8 \pm 0.5 mm	0.950 kg	16 pieces

Order No.	Total output VA	Frame Size	Primary voltage V	Connecting pins prim.	Secondary voltage V	Current sec. mA	Connecting pins sec.	No-load voltage V
BV EI 663 1099	44.0	3	230	1-8	1 x 6	7333	11-14	1 x 6.8
BV EI 663 1100	44.0	3	230	1-8	2 x 6	3667	9-11/14-16	2 x 6.8
BV EI 663 1101	44.0	3	230	1-8	1 x 7.5	5867	11-14	1 x 8.8
BV EI 663 1102	44.0	3	230	1-8	2 x 7.5	2933	9-11/14-16	2 x 8.8
BV EI 663 1103	44.0	3	230	1-8	1 x 9	4889	11-14	1 x 10.5
BV EI 663 1104	44.0	3	230	1-8	2 x 9	2444	9-11/14-16	2 x 10.3
BV EI 663 1105	44.0	3	230	1-8	1 x 12	3667	11-14	1 x 13.7
BV EI 663 1106	44.0	3	230	1-8	2 x 12	1833	9-11/14-16	2 x 13.7
BV EI 663 1107	44.0	3	230	1-8	1 x 15	2933	11-14	1 x 17.2
BV EI 663 1108	44.0	3	230	1-8	2 x 15	1467	9-11/14-16	2 x 17.2
BV EI 663 1109	44.0	3	230	1-8	1 x 18	2444	11-14	1 x 20.2
BV EI 663 1110	44.0	3	230	1-8	2 x 18	1222	9-11/14-16	2 x 20.2
BV EI 663 1111	44.0	3	230	1-8	1 x 24	1833	11-14	1 x 26.9