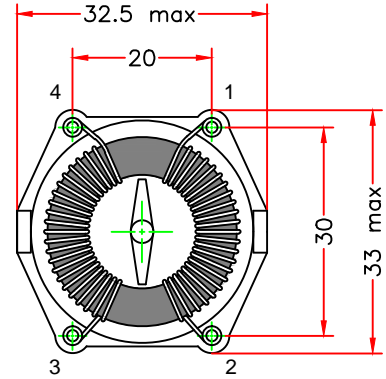
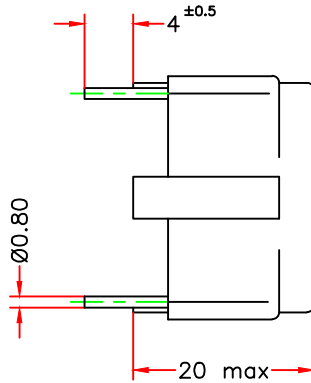
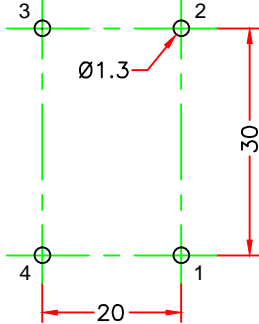


Viewed on
component side



Schematic



TECHNICAL DATA :

Core : toroid Ø25 / Ø15 / H10 μ i 6000 ferrite material or equivalent

Wire : Ø0.315 grade 1 class F or equivalent

Rated current per winding : 1A referred to 250V-50Hz and +60°C ambient temperature

Rated inductance per winding : 33mH +50% -30% at 10KHz ; 50mV

Test voltage between windings : 1500VAC - 50Hz / 2 sec

Climatic category : DIN GKC (-40 to +125°C; humidity cat. C)

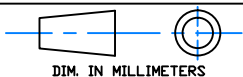
Case material : PBT at 30% fibreglass UL94-V0 or equivalent

RoHS compliance

Please, refer to general catalog for unspecified parameters

a	
IND	DATE

Radiohm Specification



Designation : 42H32 1001

Part number : _____

Date : 07/11/2019

Preliminary :

Final :

Checked by: Sami NCIRI

Customer Specification Approval

Part number : _____

Signature : _____

Name : _____

Title : _____

Date : _____