

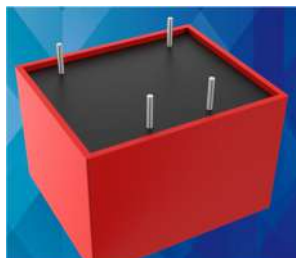
AC/DC CONVERTER - 10W REGULATED

High Accuracy Family



Power Supplies

NEW 10W SERIES



MAIN FEATURES:

- 5W to 10W Small Compact Size - PCB Mount
- Operating Altitude Up To 5000m
- Output Range : 3.3VDC - 30VDC
- Input Range : 85VAC - 265VAC/47 - 63Hz Or 120VDC - 370VDC
- Very Low Standby Power Consumption < 0.1W
- Better Energetic Efficiency : Meets Requirements Of Energy Star And EC Code Of Conduct
- Encapsulated Design And Same Footprint As an E138 Transformer: Upgrade Your Application Without a Redesign Of PCB
- Safety: Meets All Requirements of IEC/EN61558-2-16, IEC/EN60335-1, IEC/EN62368-1, UL62368-1, CSA C22.2 No.62368-1-14, CE, VDE, ENEC, UKCA
- Materials : Uses UL 94-V0 Plastic And Resin
- EMC : Conducted And Radiated Emissions Conform To EN55032, FCC Part 15, CLASS B, EN/IEC61000-3-2 CLASS A, EN61000-3-3,
- Immunity Conforms To EN61000-4-2, EN/IEC61000-4-3, EN61000-4-4, EN61000-4-5, EN61000-4-6, EN61000-4-8, EN61000-4-11

DATA SHEET



Part No	Power Rating Watts	Output Voltage (VDC)	Output Current (mA)	Ambient Temp. (°C)	Efficiency Typical	Input Range
49033E	10.0	3.3	3000	60	>68%@230VAC	85VAC-265VAC (120VDC-370VDC)
	7.5		2270	70		
	5.0		1500	80		
49050E	10.0	5.0	2000	60	>73%@230VAC	
	7.5		1500	70	>70%@230VAC	
	5.0		1000	80	>79%@230VAC	
49090E	10.0	9.0	1100	60	>79%@230VAC	
	7.5		830	75	>74%@230VAC	
	5.0		550	80	>80%@230VAC	
49120E	10.0	12	830	60	>80%@230VAC	
	7.5		625	75	>75%@230VAC	
	5.0		420	80	>81%@230VAC	
49150E	10.0	15	670	60	>81%@230VAC	
	7.5		500	75	>76%@230VAC	
	5.0		330	80	>81%@230VAC	
49180E	10.0	18	560	60	>81%@230VAC	
	7.5		420	75	>76%@230VAC	
	5.0		280	80	>81%@230VAC	
49240E	10.0	24	420	60	>81%@230VAC	
	7.5		310	75	>76%@230VAC	
	5.0		210	80	>81%@230VAC	
49300E	10.0	30	333	60	>81%@230VAC	
	7.5		250	75	>76%@230VAC	
	5.0		167	80	>76%@230VAC	

Note: Other output voltages are available upon request.

Please refer to MYRRA's website and catalogue for MYRRA SMPS application notes. The information contained in this document is subject to change without notice.

www.myrra.com
www.myrra-powersupplies.com
 contact us : contact@myrra.com

AC/DC CONVERTER - 10W REGULATED

High Accuracy Family



Power Supplies

New 10W SERIES

Model: 10 Watt		Specifications
AC Input Characteristics	Rated AC input Voltage	100~240Vac or 140VDC-340VDC
	AC Input Voltage Range	85~265Vac or 120VDC-370VDC
	AC Input Frequency Range	47Hz~63Hz
	Rated AC Input Frequency	50/60Hz
	Input Current	0.35A Max@85Vac~265Vac, at full load
	Standby Power	0.1W Max(Meets Requirements Of Energy Star And EC Code Of Conduct)
DC Output Characteristics	Output Voltage Accuracy	± 2% (49033E/49050E: ± 3%)
	Output Voltage Line Regulation	± 0.5% (49033E/49050E: ± 1%)
	Output Voltage Load Regulation	± 2% (49033E/49050E: ± 3%)
	Ripple & Noise	Max 180mVp-p@ Rated AC input, at nominal line (The measuring will be terminated with a 47uF AL E-Cap and a 0.1uF Ceramic-Cap. An oscilloscope set at 20MHz bandwidth)
	Dynamic Response	The output voltage shall not exceed ±10% rated output voltage @ 50%←→100% Load change, 1A/uS , 1KHz 50% duty cycle
	Hold Up Time	5mS min@ 100Vac ~240Vac, DC output with full load
	Turn On Delay	3S max @ 85Vac~265Vac input and DC output with full load
	Rise Time	50ms max @ 85Vac~265Vac input and DC output with full load
	Overshoot	The output voltage shall not exceed +10% rated output voltage @ Power on and 85Vac~265Vac input, and DC with full load
	Undershoot	The output voltage shall not exceed -10% rated output voltage @ Power off and 85Vac~265Vac input and DC output with full load

Please refer to MYRRA's website and catalogue for MYRRA SMPS application notes.

www.myrra.com

The information contained in this document is subject to change without notice.

www.myrra-powersupplies.com

contact us : contact@myrra.com

AC/DC CONVERTER - 10W REGULATED

High Accuracy Family



New 10W SERIES

Power Supplies

	Efficiency	See table (Meets Requirements Of Energy Star And EC Code Of Conduct)
Protection Characteristics	Over Current Protection	The power supply shall automatically protect against over current. The power supply shall auto-recover normal operation after the fault condition is removed. No excessive heat, odour, or plastic deformation shall occur with no safety hazard during the fault
	Output Short Circuit Protection	The power supply shall withstand a continuous output short without damage in 24 hours; The short may be applied before power on, or after power on; The power supply shall resume normal operation after the short is removed, no excessive heat, odour, or plastic deformation shall occur with no safety hazard
Environmental	Operation Temperature	-25°C ~+80°C (see table)
	Operation Humidity	10~ 90% RH(No Condensing) @ DC with full load
	Storage Temperature	-10°C to +35°C
	Storage Humidity	< 75%RH
	Cooling Method	Ordinary or thermostat
Safety & EMC Requirement	Dielectric Strength	Primary to Secondary: 4000Vac 5mA, 3 secs.
	Radiation	Meets EN55032, FCC part 15, Class B
	Conduction	Meets EN55032, FCC part 15, Class B
	Harmonic Current Disturbance	Meets EN/IEC61000-3-2:2019, Class A
	Voltage Fluctuation And Flicker	Meets EN61000-3-3:2013
	Electrostatic Discharge	Meets EN61000-4-2:2009 Contact Discharge ±4KV, Air Discharge ±8KV
	RF Field Strength Susceptibility	Meets EN/IEC61000-4-3:2019
	Electrical Fast Transient	Meets EN61000-4-4:2012, ±4KV

Please refer to MYRRA's website and catalogue for MYRRA SMPS application notes.

www.myrra.com

The information contained in this document is subject to change without notice.

www.myrra-powersupplies.com

contact us : contact@myrra.com

AC/DC CONVERTER - 10W REGULATED

High Accuracy Family



New 10W SERIES

Power Supplies

Safety & EMC Requirement	Lightning Surge	Meets EN61000-4-5:2014,+2KV (line to line) <i>Note: surge level can be extended to 6KV with an external circuit – please refer to Myrra's website and catalogue for MYRRA SMPS application notes</i>
	Conducted Susceptibility	Meets EN61000-4-6:2014
	Power Frequency Magnetic Field Susceptibility Test	Meets EN61000-4-8:2010
	Voltage Dips And Interruptions	Meets EN61000-4-11:2004
	Safety Standards	Meets all requirements of : UL62368-1, CSA C22.2 NO.62368-1-14, IEC/EC62368-1 IEC/EN60335-1 IEC/EN61558-2-16 VDE certificate No.40056578 UL certificate No.E345767 CE,VDE,ENEC,UKCA Mark
Reliability Requirement	MTBF	>200K Hours @230VAC input at max operation temperature; >550K Hours @230VAC input at 25deg.C <i>Calculated in accordance with MIL-HDBK-217-F2</i>
	Burn-In Test	The unit shall be burned in for 2~ 5hours under 230Vac input and DC with full load at an ambient temperature of 30~45 degrees C
Net Weight	Approximately 56 grams per product unit	
Guarantee	This product is in accordance with the European RoHS & REACH directives	

Please refer to MYRRA's website and catalogue for MYRRA SMPS application notes.

The information contained in this document is subject to change without notice.

www.myrra.com

www.myrra-powersupplies.com

contact us : contact@myrra.com

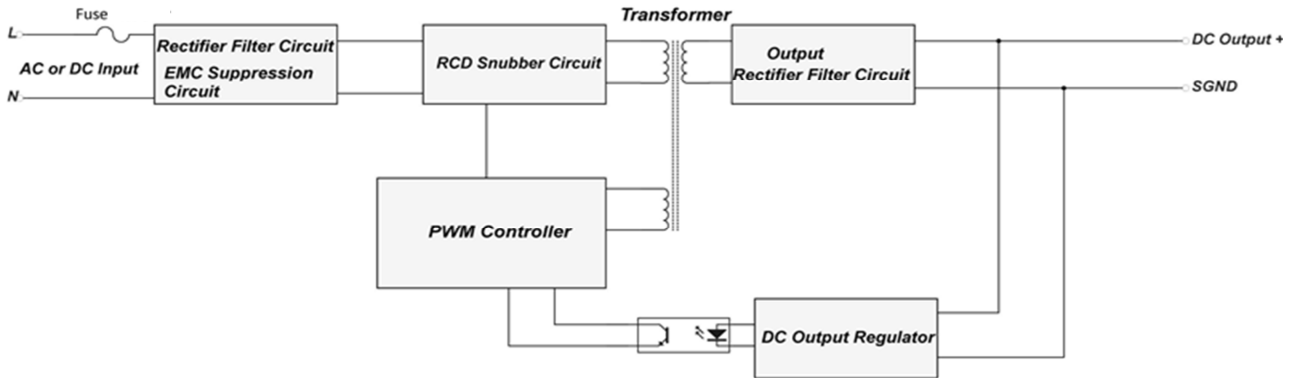
AC/DC CONVERTER - 10W REGULATED

High Accuracy Family

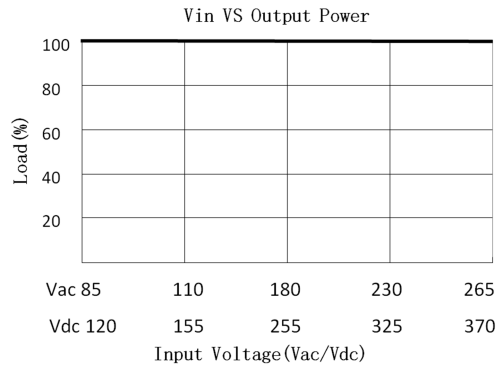
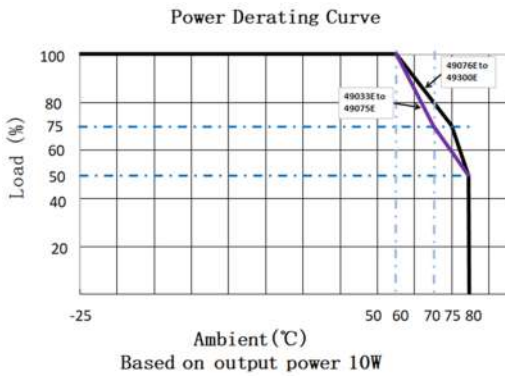


Power Supplies

SCHEMATIC



DERATING GRAPH



DIMENSIONS AND PINOUT 4 PINS

- PRI :
Pins 1-5: AC or DC Input
- SEC
Pin 7 : DC Output +V
Pin 9 : DC Output 0V

