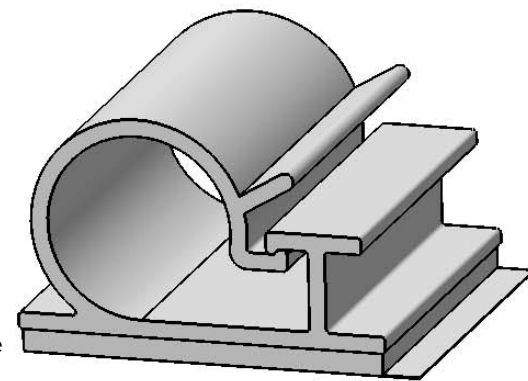
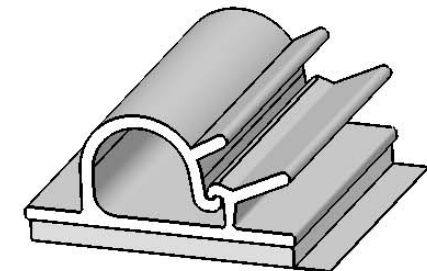
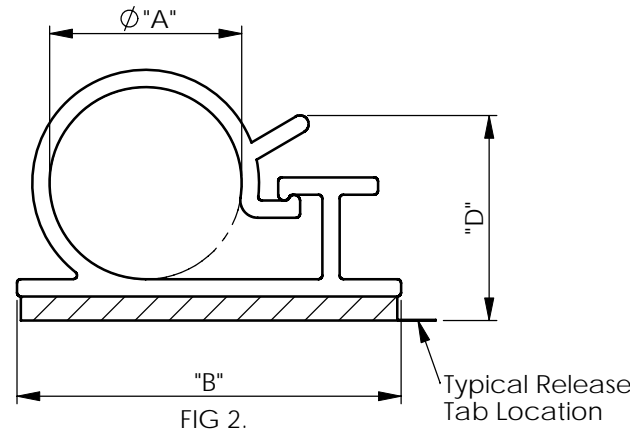
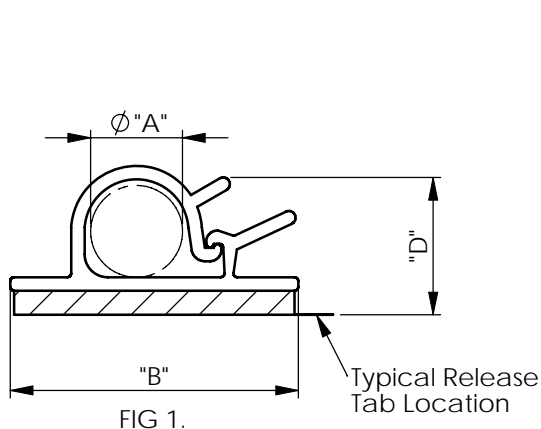
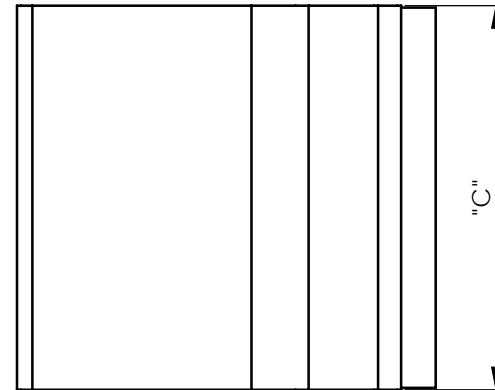
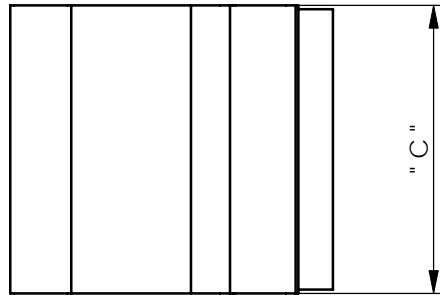


REV.	MODIFICATION.	DATE	DRN
01	CO 2010779	24/08/09	PH



>ALTERNATE UNITS FOR REFERENCE ONLY<

- NOTES:
1. ALSO AVAILABLE IN CLEAR RIGID PVC (RMS-32) BY SPECIAL ORDER.
 2. CUSTOM LENGTHS AVAILABLE BY SPECIAL ORDER.
 3. COLOUR BLACK AVAILABLE BY SPECIAL ORDER ONLY. TO ORDER ADD SUFFIX "-BK" TO THE PART NO

Part No.	"A" Holding Capacity	"B" ±0.4(0.02)	"C" ±0.5(0.02)	"D" At Max Capacity Ref.	Adhesive Reference.	Fig.
KKL-4-RT	6.4 (0.25)	19.1 (0.75)	19.1(0.75)	9.5 (0.38)	1.6 (0.063)Thick, Double Sided Acrylic Adhesive RMS-15	1
KKL-8A5-RT	12.7 (0.50)	25.4 (1.00)	25.4 (1.00)	21.4 (0.84)	1.6 (0.063)Thick, Double Sided Acrylic Adhesive RMS-359	2
KKL-12-RT	19.1 (0.75)			25.4 (1.00)	1.6 (0.063)Thick, Double Sided Acrylic Adhesive RMS-15	

INFORMATION CONTAINED IN THIS DOCUMENT IS CONFIDENTIAL TO RICHCO INTERNATIONAL Co. Ltd. AND MAY NOT BE DISCLOSED OR REPRODUCED IN WHOLE OR PART WITHOUT THEIR WRITTEN CONSENT.

RICHCO, INC.
WWW.RICHCO-INC.COM

ALL DIMENSIONS IN mm
GENERAL TOLERANCES ±0.25
UNLESS OTHERWISE STATED
1 DECIMAL PLACE ±
2 DECIMAL PLACES ±
ANGULAR ±1°

THIRD ANGLE

MATERIAL: Rigid PVC UL94-V0 (RMS-04) COLOUR: Grey

DESCRIPTION: Kwik Klip, Type "L" PART No: See Table

DRG No: 09-083 NPR No: XXXX-XXX SHEET SIZE A4

DRN PH	DATE 25/08/09	CHKD TC	DATE 25/08/09	SCALE NTS	SHEET No. 1 OF 1
--------	---------------	---------	---------------	-----------	------------------