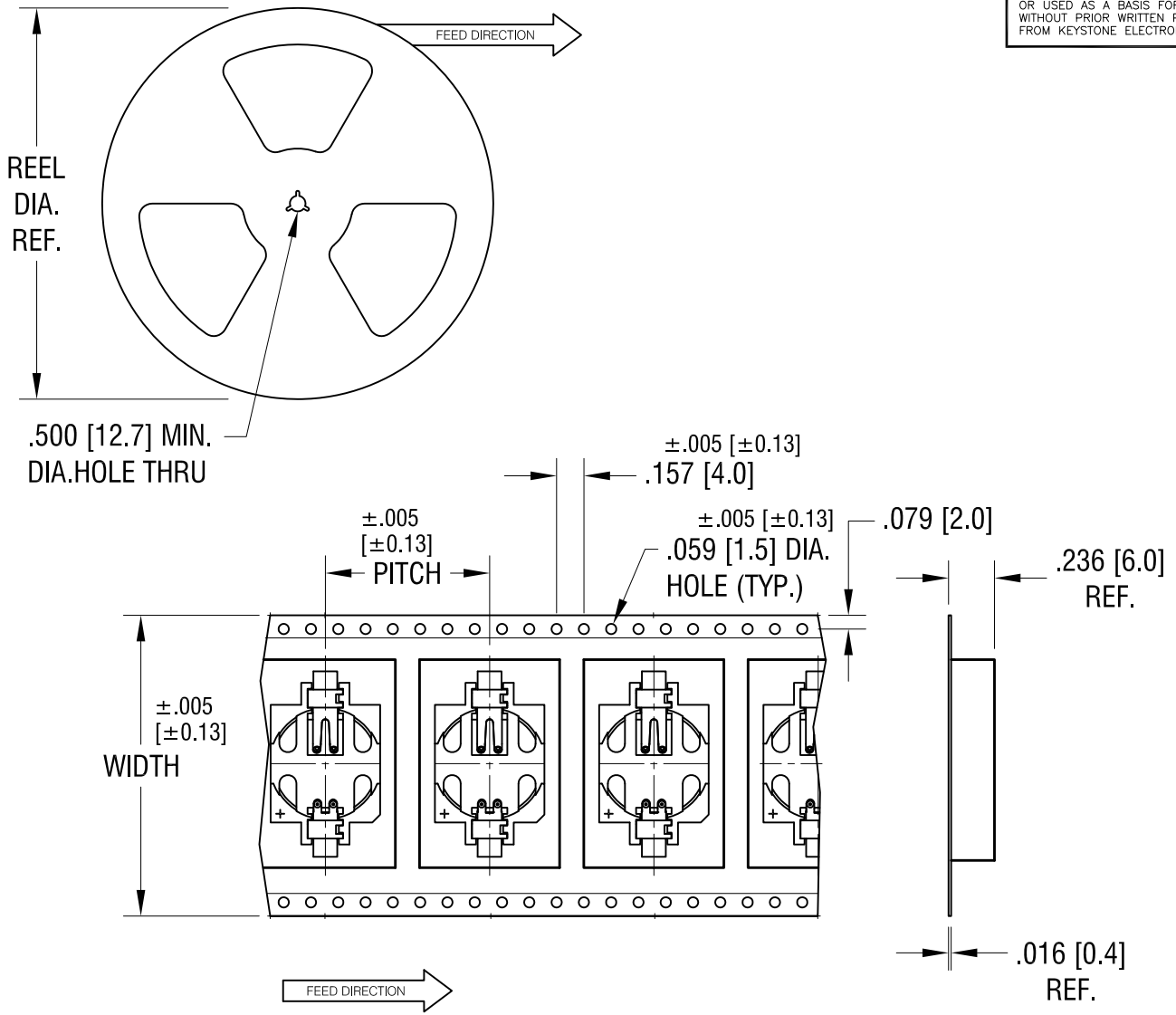


THIS DOCUMENT IS THE PROPERTY OF KEYSTONE ELECTRONICS CORP. AND SHALL NOT BE REPRODUCED, DISTRIBUTED OR USED AS A BASIS FOR MANUFACTURE WITHOUT PRIOR WRITTEN PERMISSION FROM KEYSTONE ELECTRONICS CORP.



NOTES:

1. TAPE:

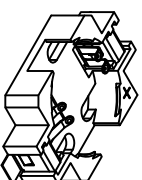
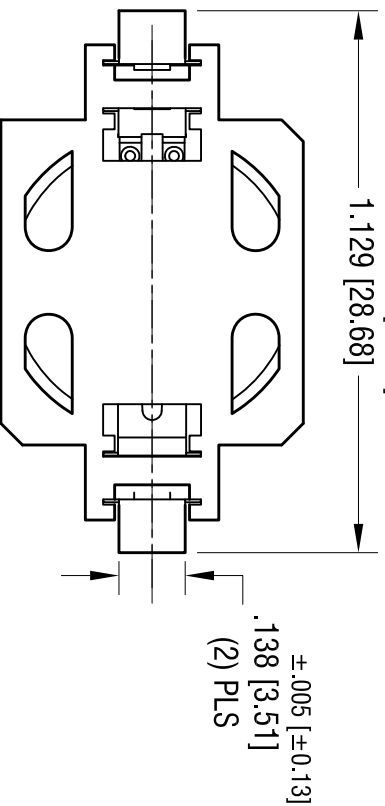
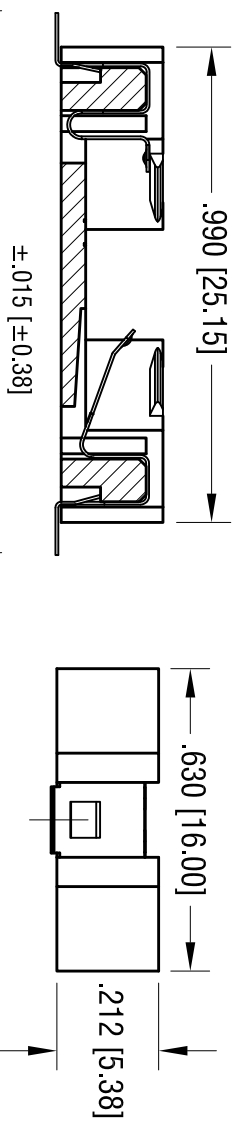
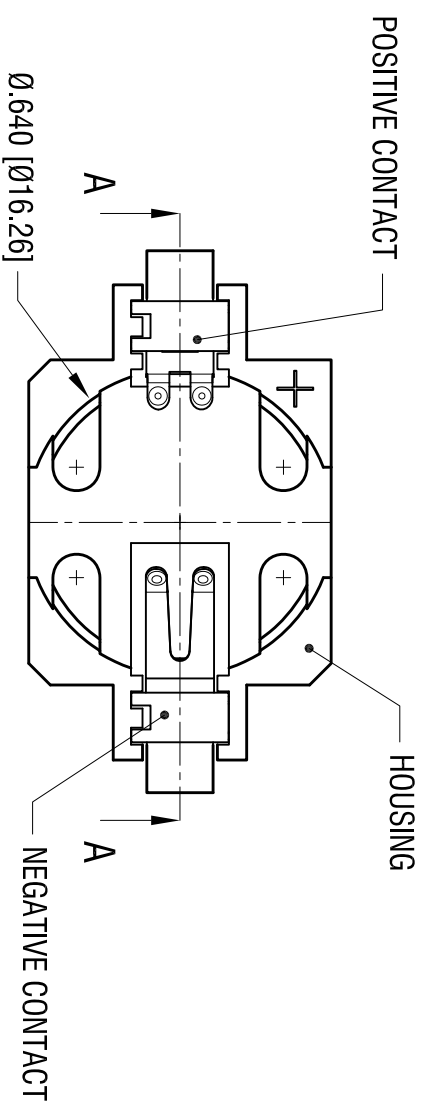
MAT'L - ALL CONDUCTIVE POLYSTYRENE CARRIER
 ANSI/EIA-481 STANDARD
 1.732 [44.00] WIDE; .945 [24.0] PITCH

2. REEL:

13.0 [330.2] DIA. 450 PIECES OF
 PART NO. 504 PER REEL.

2.22.12	CHANGE AS PER ECN 12-020	A
DATE	DESCRIPTION	REV.

KEYSTONE ELECTRONICS CORP.			
www.keyelco.com • NEW HYDE PARK, NY 11040 • Tel (516) 328-7500			
PART NAME			
1632 SMT HOLDER ON TAPE AND REEL			
MATERIAL			
AS NOTED			
FINISH		DRN BY	DATE
AS NOTED		NT	1.05.11
		APP'D	SCALE
		RH	X
TOLERANCES	INCH [MM]	CODE	DWG NO.
DECIMAL	± .015 [± 0.38]	C	504TR
ANGULAR	± 1°		
UNLESS OTHERWISE SPECIFIED			

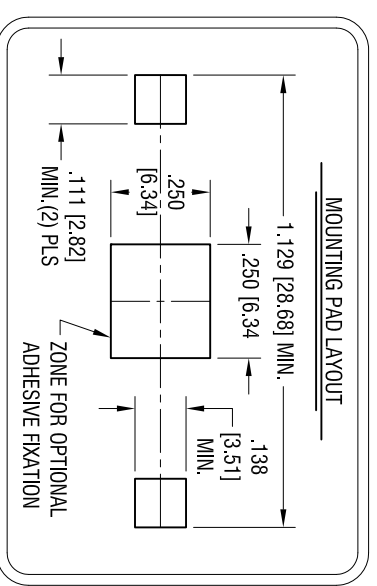


ACTUAL SIZE

NOTES:

1. BASE:
MATERIAL - GLASS FILLED LCP UL 94V-0
2. CONTACTS:
MATERIAL - .006 [0.15] THK PHOSPHOR BRONZE
FINISH: GOLD FLASH PLATING

DATE	DESCRIPTION	REV.
5.09.11	CHANGE AS PER ECN 11-062	A
5.18.11	CHANGE AS PER ECN 110-066	B
5.29.11	CHANGE AS PER ECN 110-089	C
8.09.11	CHANGE AS PER ECN 11-102	D
3.15.12	CHANGE AS PER ECN 12-032	E
7.24.14	CHANGE AS PER ECN 14-079	F
8.12.20	CHANGE AS PER ECN 20-070	G
1.26.21	CHANGE AS PER ECN 21-006 REMOVE NEGATIVE POLARITY MARKING FROM THE BOTTOM INSIDE SURFACE	H



KEYSTONE ELECTRONICS CORP.

www.keystone.com • NEW HYDE PARK, NY 11040 • Tel (516) 328-7500

PART NAME

1632 SMT BATTERY HOLDER

MATERIAL

AS NOTED

FINISH

AS NOTED

TOLERANCES	INCH	[MM]	CODE	DWG NO.
DECIMAL	$\pm .010$	[± 0.25]	C	504
ANGULAR	$\pm 1^\circ$			

THIS DOCUMENT IS THE PROPERTY OF KEYSTONE ELECTRONICS CORP. AND SHALL NOT BE REPRODUCED, DISTRIBUTED OR USED AS A BASIS FOR MANUFACTURE WITHOUT PRIOR WRITTEN PERMISSION FROM KEYSTONE ELECTRONICS CORP.