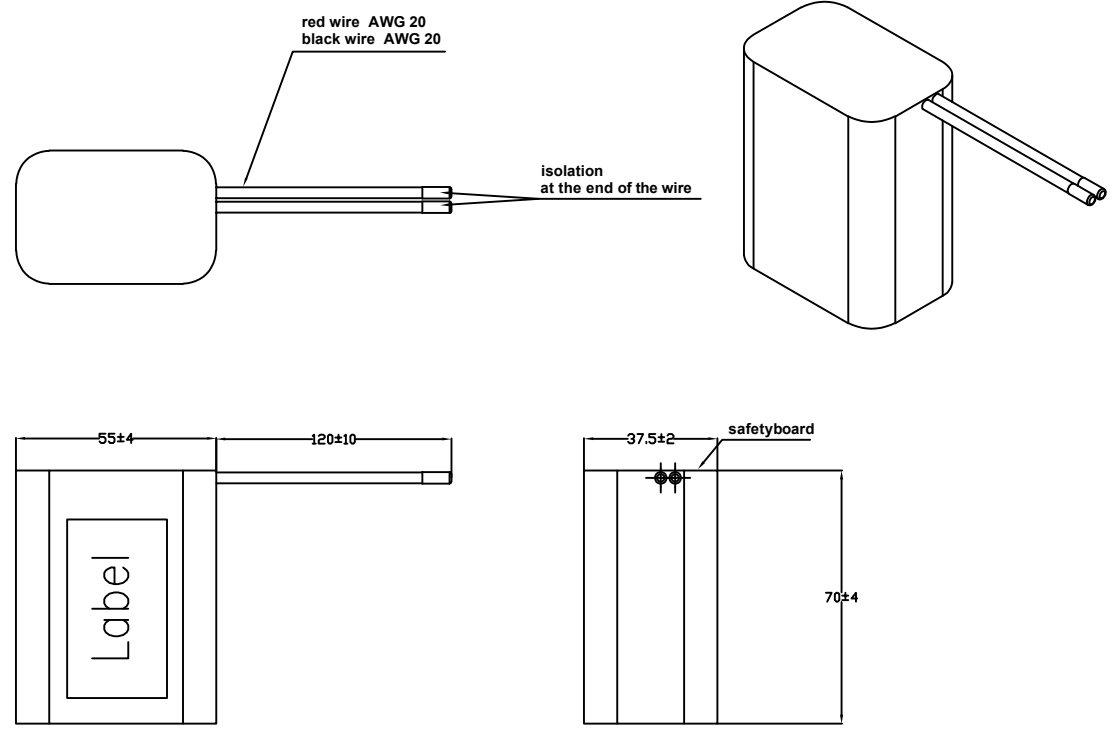


This drawing may not be copied, reproduced or made available to third parties in any way whatsoever without or prior written approval. The supplier acknowledges that, with the acceptance of this drawing, he is in a position to manufacture the indicated part in accordance with the drawing in reproducible quantities. The manufacturer is not responsible for any damage to the component or to the equipment caused by the use of the component. The manufacturer is not responsible for any damage to the component or to the equipment caused by the use of the component.

| | | |
|--|---|--|
| Technische Daten/ technical data | : | Akkupack/ batterypack |
| Chemie/ chemistry | : | Lithium Ion |
| Zellenzahl/ no. of cells | : | 3 Zellen/ cells INR18650-CQ-BAK; 3S2P |
| Kapazität/ capacity | : | nom. 5100mAh discharge at 0.2C min. 5000mAh discharge at 0.2C ta:20°C; EV(Discharge End Voltage); 2.75V per cell C=min capacity |
| Innenwiderstand/ impedance | : | ----- |
| Nominalspannung/ nominal voltage | : | 10.8V |
| Standard Ladespannung/ standard charge voltage | : | 12.6V±1% |
| Standard Entladespannung/ standard discharge voltage | : | 8.25V |
| Nominaler Ladestrom/ nominal charge current | : | 2500mAh |
| Maximaler Ladestrom/ maximum charge current | : | 5000mAh |
| Ladeendstrom/ charge end current | : | 50mA |
| Maximaler Entladestrom/ maximum discharge current | : | 5100A |
| Anwendungstemperaturbereich/ ambient temperature range | : | 0°C...+45°C charge -20°C...+60°C discharge -20°C...+25°C storage max. 1 year -20°C...+45°C storage max. 3months |
| Selbstentladung/ self discharge | : | <ul style="list-style-type: none"> 5% / month at 20°C 10% / month at 30°C 20% / month at 40°C |
| Standards/ | : | UN 3480, Subsection 38.3 All cells and batterypacks type tested according to UN manual of test and criteria subsection 38.3 |
| Technische Daten/ technical data | : | Sicherheitschaltung/ safety board |
| Überladeschutzspannung/ over charge voltage detection | : | 4.25V±40mV per cell |
| Wiedereinschaltspannung/ over charge release voltage | : | 4.13V±50mV per cell |
| Entladeabschaltspannung/ over discharge detection voltage | : | 2.8V±80mV per cell |
| Wiedereinschaltspannung/ over discharge release voltage | : | 3.0V±100mV per cell |
| Nominaler Lade/Entladestrom / nominal operating current | : | 6.7A |
| Entlade Abschaltstrom/ discharge cut off current | : | 20.0A ± 3A |
| Kurzschlusschutz/ short circuit protection | : | gegen äußeren Kurzschluss/ against external short circuit |
| Temperaturschalter/ temperature switch | : | ----- |
| MOSFET | : | im Pluszweig in positive path |
| Rückstellkriterium/ release condition | : | Last trennen, Aktiv nach Anladen/ cut load, release after charging up |
| Nettogewicht/ net weight | : | ----- |
| Leiterplattenmaterial/ pcb material | : | FR4 |
| Standards | : | CE |



batterypack covered with 2 layer of blue shrinktube

| | | | | | | | | | |
|-------------------------------|--|--|--|----------------------|--|---------------------|--|----------------------------------|--|
| Application range for inquiry | | Allowable deviation general tolerances | | Tolerance principle: | | Model: | | Material: | |
| | | DIN ISO 2768-m | | ISO 8015 | | Scale (DIN A2): 1:1 | | All dimensions in mm | |
| | | 2022 | | Date | | Name | | Drawing name | |
| | | Drawn by | | 23.02. | | HONG | | Li-Ion-10.8V-5100mAh-3s2p-CQ-BAK | |
| | | Approved by | | | | | | Drawing number | |
| | | | | | | | | Part number | |
| | | | | | | | | 2447-3050-50 | |
| | | | | | | | | Sheet | |
| | | | | | | | | 1/1 | |
| Version | | Change | | Date | | Name | | Project: 710579 | |
| | | | | | | | | Replaced by: | |
| | | | | | | | | Replacement through: | |