

GP Batteries

Data Sheet

Rechargeable Nickel Metal Hydride Battery

Model: GP100AAAHC (Revamp)

Revision History

| Revision | Date | Initiator | Change Description |
|----------|------------|-----------|--------------------|
| 00 | 2016-03-24 | SY Hu | New issue |

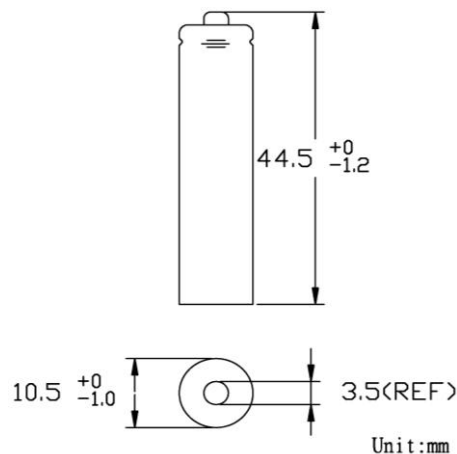
| Prepared by | Checked by | Approver |
|------------------|------------------|------------------|
| RD Engineer | RD Manager | SM |
| SY Hu | Jackie Yu | Vivian Fong |
| Date: 2016-03-24 | Date: 2016-03-24 | Date: 2016-03-24 |

GPI International Limited

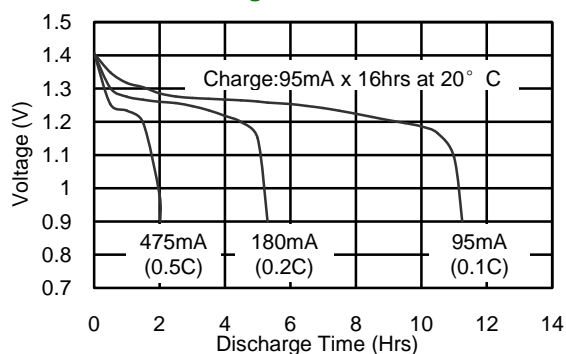
7/F, Building 16W, 16 Science Park West Avenue Hong Kong
Science Park , New Territories, Hong Kong
Tel: (852) 2484 3333 Fax: (852) 24805912
Email: gpii@goldpeak.com
Website: <http://www.gpbatteries.com>

| | |
|--|---|
| Type | : Rechargeable Nickel Metal Hydride Cylindrical Cell |
| Nominal Dimension (with Sleeve) | : $\Phi = 10.5\text{mm}$ H = 44.5mm |
| Applications | : Recommended discharge current 95 to 2850 mA |
| Nominal Voltage | : 1.2V |
| Capacity | : Rated: 950mAh Typical: 970mAh When discharged at 190mA to 1.0V at 20°C |
| Charging Condition | : 95mA for 16 hrs at 20°C |
| Charging Retention | : 70% of rated capacity after cell storage at 20°C for 12 months When discharged at 190mA to 1.0V at 20°C |
| Fast Charge | : 475mA to 950mA (0.5 to 1C) charge termination control recommended control parameters: - ΔV : 0-5mV DT/dt : 0.8°C/min (0.5 to 0.9C) 0.8 - 1°C/min (1C) TCO : 45 - 50°C Timer : 105% nominal input (for ref. only) |
| Service Life | : >300 cycles (IEC standard) |
| Continuous Overcharge | : 95mA maximum current for 1 year. No conspicuous deformation and/or leakage |
| Weight | : 15.2g |
| Internal Resistance | : Average 40m Ω upon fully charged (Max.55m Ω) at 1000Hz |
| Max. Charging Voltage | : 1.5V at 95mA charging |
| Ambient Temperature Range | : Standard Charge : 0 to 45°C Fast Charging : 10 to 45°C Discharge : -20 to 50°C Storage : -20 to 35°C |

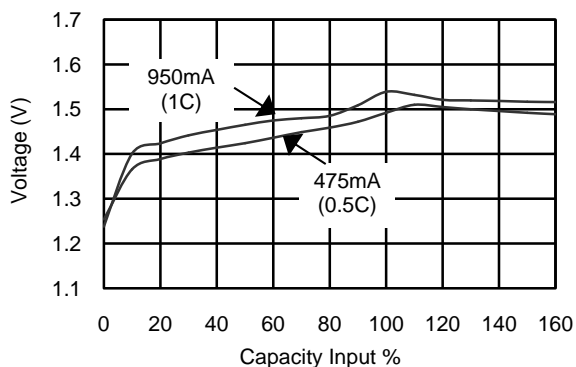
Model No.: **100AAHC (Revamp)**



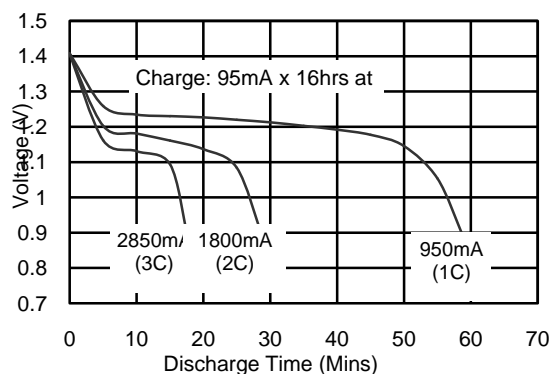
Low Rate Discharge



Fast Charge (Charge Control Required)



High Rate Discharge



The information (subject to change without prior notice) contained in this document is for reference only and should not be used as a basis for product guarantee or warranty. For applications other than those described here, please consult your nearest GP Sales and Marketing Office or Distributors.