



■ Features :

- 2:1 wide input range
- 4:1 wide input range(option)
- 1000VDC I/O isolation
- 3000VDC I/O isolation(option)
- Built-in EMI filter
- Protections: Short circuit / Overload
- Cooling by free air convection
- Six-sided shield metal case
- 100% burn-in test
- Low cost / High reliability
- Approvals: FCC / EAC / CE / UKCA
- 2 years warranty

■ GTIN CODE

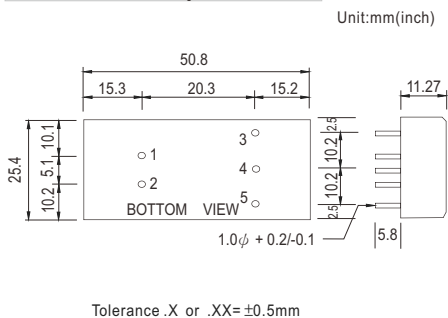
MW Search: <https://www.meanwell.com/serviceGTIN.aspx>



SPECIFICATION

ORDER NO.	SKA15A-033	SKA15B-033	SKA15C-033	SKA15A-05	SKA15B-05	SKA15C-05	SKA15A-12	SKA15B-12	SKA15C-12	SKA15A-15	SKA15B-15	SKA15C-15		
OUTPUT	DC VOLTAGE			5V			12V			15V				
	CURRENT RANGE			300 ~ 3000mA			125 ~ 1250mA			100 ~ 1000mA				
	RATED POWER			15W										
	RIPPLE & NOISE (max.) Note.2			50mVp-p			60mVp-p			60mVp-p				
	LINE REGULATION Note.3			±0.2%										
	LOAD REGULATION Note.4			±0.5%										
	VOLTAGE ACCURACY			±2.0%										
	SWITCHING FREQUENCY			150KHz min.										
	EXTERNAL CAPACITANCE LOAD (max.)			2700uF	2700uF	1000uF	2700uF	2700uF	1000uF	1800uF	1800uF	680uF	1500uF	1500uF
INPUT	VOLTAGE RANGE			A: 9 ~ 18VDC B: 18 ~ 36VDC C: 36 ~ 72VDC										
	EFFICIENCY (Typ.)			76%	76%	76%	78%	78%	80%	82%	80%	82%	82%	
	DC CURRENT			Full load A: 1700mA B: 800mA C: 400mA										
				No load A: 20mA B: 30mA C: 15mA										
	FILTER			Pi network										
PROTECTION (Note. 5)	OVER CURRENT			110% ~ 250% rated output power										
				Protection type : Hiccup mode, recovers automatically after fault condition is removed										
	SHORT CIRCUIT			All output equipped with short circuit										
ENVIRONMENT	WORKING TEMP.			-40 ~ +71°C (Refer to "Derating Curve")										
	WORKING HUMIDITY			20% ~ 90% RH non-condensing										
	STORAGE TEMP., HUMIDITY			-40 ~ +105°C, 10 ~ 95% RH										
	TEMP. COEFFICIENT			±0.03% / °C (0 ~ 50°C)										
	VIBRATION			10 ~ 500Hz, 2G 10min./1cycle, period for 60min. each along X, Y, Z axes										
SAFETY & EMC	SAFETY STANDARDS			EAC TP TC 020/2011approved										
	WITHSTAND VOLTAGE			I/P-O/P:1.5KVDC										
	ISOLATION RESISTANCE			I/P-O/P: 100M Ohms / 500VDC / 25°C / 70% RH										
	EMC EMISSION			Compliance to BS EN/EN55032 Class A, FCC part 15 Class A, EAC TP TC 020										
OTHERS	EMC IMMUNITY			Compliance to BS EN/EN61000-4-2,3,4,5,6,8, light industry level, criteria A, EAC TP TC 020										
	MTBF			300Khrs min. MIL-HDBK-217F(25°C)										
	DIMENSION			50.8*25.4*11.27 mm or 2**1**0.44" inch (L*W*H)										
WEIGHT			32g											

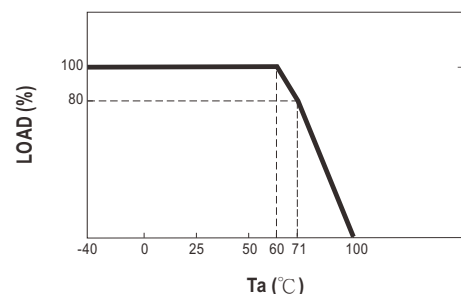
■ Mechanical Specification



■ Pin Configuration

Pin No.	Output
1	+Vin
2	-Vin
3	+Vout
4	No Pin
5	-Vout

■ Derating Curve



NOTE

- 1.All parameters are specified at normal input, rated load, 25°C 70% RH ambient.
 - 2.Ripple & noise are measured at 20MHz by using a 12" twisted pair terminated with a 0.1uf & 47uf capacitor.
 - 3.Line regulation is measured from low line to high line at rated load.
 - 4.Load regulation is measured from 10% to 100% rated load.
 - 5.Please prevent the converter from operating in overload or short circuit condition for more than 30 seconds.
- ※ Product Liability Disclaimer : For detailed information, please refer to <https://www.meanwell.com/serviceDisclaimer.aspx>