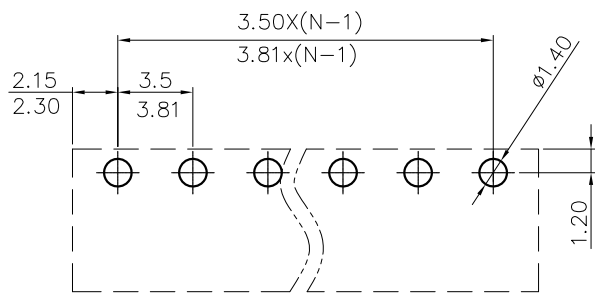
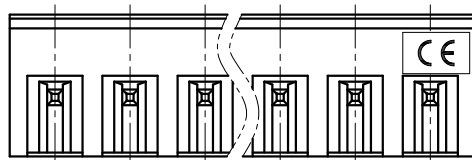
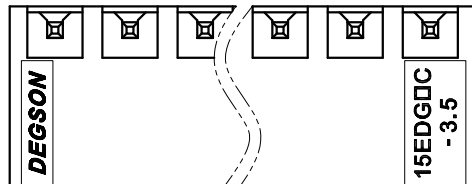


| REVISION RECORD |     |             |      |      |
|-----------------|-----|-------------|------|------|
| REV             | ECN | DESCRIPTION | DRFT | DATE |



PCB LAYOUT



NOTES1:  
 UL Standard  
 1.Rated voltage/current : 300V / 8A  
 2.Withstanding voltage : AC1600V/1Min.

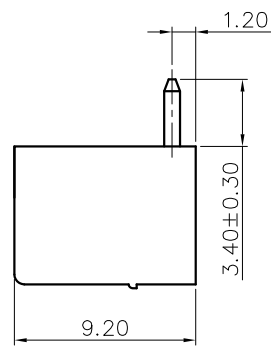
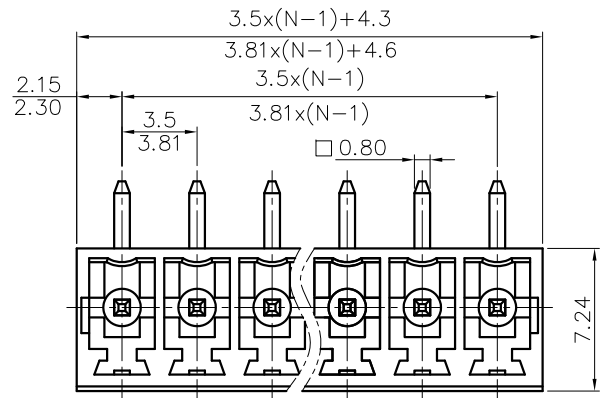
IEC Standard

|                          |       |
|--------------------------|-------|
| 1. Pollution Degree      | 2     |
| Overvoltage Category     | II    |
| Rate Impulse Voltage(KV) | 2.5KV |
| Rate Voltage(V)          | 250V  |
| Rate Current(A)          | 7A    |

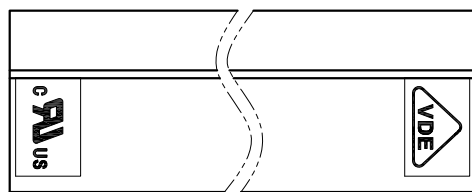
NOTES2:  
 1.Dimension shall be interpreted per ASME Y14.5-2009  
 2.Pitch : 3.5/3.81mm, Poles : N=02~24P  
 3.Operating temperature: -40°C~+105°C  
 4.Undimensioned tolerances:

| Pitch range in mm |       | Nominal dimension range in mm |       |       |       | -     | ∩     | □   |
|-------------------|-------|-------------------------------|-------|-------|-------|-------|-------|-----|
| TO                | Over  | Over                          | Over  | Over  | Over  | TO    | TO    | TO  |
| 6                 | 10    | 10                            | 24    | 30    | 60    | 100   | 150   | 150 |
| ±0.15             | ±0.20 | ±0.30                         | ±0.30 | ±0.50 | ±0.70 | ±1.00 | ±1.30 | ±2* |

5.RoHS Compliance



15EDGRC - 3.5/3.81 - XXP - 1Y - 00A (H)  
 (Series No.) (Pitch) (Poles) (Single Pitch) (Color):1.(Grey)  
 2.(Blue)  
 3.(Black)  
 4.(Green)  
 5.(Orange)  
 6.(Red)  
 7.(Transparent)  
 8.(Yellow)  
 9.(White)



|                |                        |                                |                      |       |     |
|----------------|------------------------|--------------------------------|----------------------|-------|-----|
| DETACHED LISTS | PART NO.:              | /                              |                      |       |     |
|                | APPD:                  | /                              |                      |       |     |
|                | CHKD:                  | /                              |                      |       |     |
|                | DRFT:                  | /                              |                      |       |     |
|                | NAME:                  | 15EDGRC-3.5/3.81-XXP-1Y-00A(H) |                      |       |     |
|                | TITLE:                 | CUSTOMER DRAWING               | REV                  | D0    |     |
|                | DRAWING NO.:           | /                              | SHEET                | 1/1   |     |
|                | THIRD ANGLE PROJECTION | MM (INCH)                      | DO NOT SCALE DRAWING | SCALE | 1:1 |