



BS EN/EN60335-1
BS EN/EN61558-1,-2-16



IEC61558-1,-2-16



TPTC004



(for power body)



■ Features

- Universal AC input / Full range
- High efficiency up to 91%
- No load power consumption <0.15W
- Comply with EU ErP and CoC Version 5
- Protections: Short circuit / Overload / Over voltage / Over temperature
- Class II power unit, no FG
- Fully isolated plastic case
- Fanless design, cooling by free air convection
- Various DC plug quick adapter accessory available (Plug kit sold sperately, please refer to : https://www.meanwell.com/upload/pdf/DC_plug.pdf)
- 5 years warranty

■ Applications

- Robotic lawn mower
- Household appliance
- Battery charging
- General electronic products in dusty or humid environment

■ GTIN CODE

MW Search: <https://www.meanwell.com/serviceGTIN.aspx>

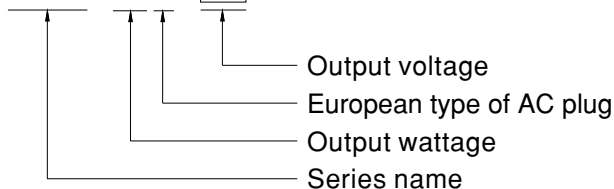
■ Description

OWA-60E is a 60W AC/DC, class II (no FG) external power supply series pinpointing the moistureproof feature. The fully-potted silicone inside the plastic enclosure enhances the heat dissipation; it also benefits that the power body of OWA-60E achieves IP67 level so that this series specializes the application in which the damp, humidity or dust resistance is needed for the external power supply. OWA-60E follows the latest energy efficiency demand, and is compliant with EU ErP and meets Code of Conduct(CoC) Version 5; the no load power consumption is less than 0.15W. It is certified with BS EN/EN 61558-2-16; moreover, the compliance to BS EN/EN 60335-1 for selected models can greatly simplify the system design such as household appliances.

OWA-60E adopts the universal input range from 90VAC to 264VAC. With the working efficiency up to 91%, OWA-60E is cooled by free air convection; the working temperature ranges from -35°C to +70°C.

■ Model Encoding

OWA - 60E - 12

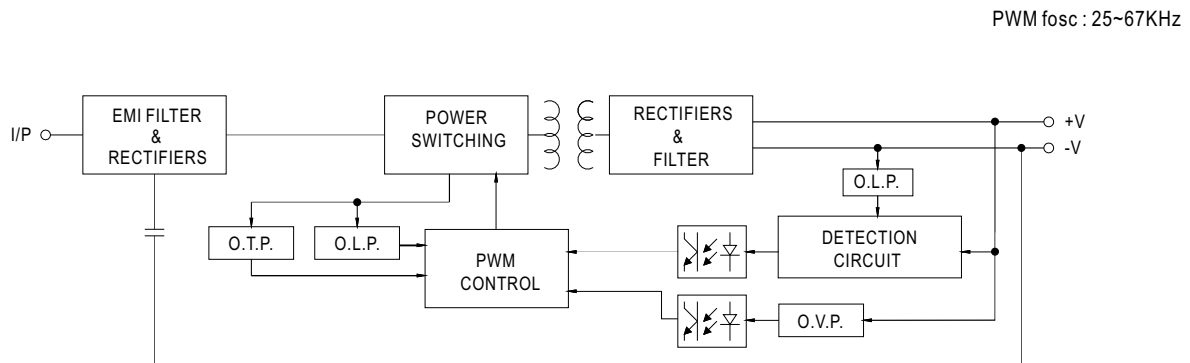




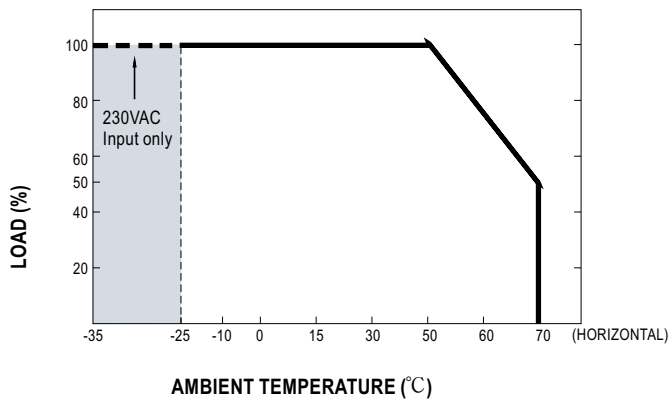
SPECIFICATION

MODEL		OWA-60E-12	OWA-60E-15	OWA-60E-20	OWA-60E-24	OWA-60E-30	OWA-60E-36	OWA-60E-42	OWA-60E-48	OWA-60E-54	
OUTPUT	DC VOLTAGE	12V	15V	20V	24V	30V	36V	42V	48V	54V	
	RATED CURRENT	5A	4A	3A	2.5A	2A	1.67A	1.5A	1.25A	1.12A	
	RATED POWER	60W	60W	60W	60W	60W	60.12W	63W	60W	60.48W	
	RIPPLE & NOISE (max.) Note.2	150mVp-p	150mVp-p	150mVp-p	150mVp-p	200mVp-p	200mVp-p	250mVp-p	250mVp-p	350mVp-p	
	VOLTAGE TOLERANCE Note.3	±4.0%	±4.0%	±4.0%	±3.0%	±3.0%	±2.0%	±1.0%	±1.0%	±1.0%	
	LINE REGULATION	±1.0%	±1.0%	±1.0%	±1.0%	±1.0%	±1.0%	±1.0%	±1.0%	±1.0%	
	LOAD REGULATION	±1.5%	±1.0%	±1.0%	±1.0%	±1.0%	±1.0%	±1.0%	±1.0%	±1.0%	
	SETUP, RISE TIME Note.4	500ms, 80ms/230VAC 1000ms, 80ms/115VAC at 95% load									
	HOLD UP TIME (Typ.)	10ms at full load 115VAC / 230VAC									
INPUT	VOLTAGE RANGE	90 ~ 264VAC		127 ~ 370VDC							
	FREQUENCY RANGE	47 ~ 63Hz									
	EFFICIENCY (Typ.)	88%	89%	89%	90%	90%	90%	90%	91%	91%	
	AC CURRENT (Typ.)	1.2A / 115VAC		0.7A / 230VAC							
	INRUSH CURRENT (Typ.)	COLD START 65A(twidth=750μs measured at 50% Ipeak) at 230VAC									
	LEAKAGE CURRENT	<0.25mA / 240VAC									
PROTECTION	OVERLOAD	105 ~ 115%									
		Protection type : Hiccup mode, recovers automatically after fault condition is removed									
	SHORT CIRCUIT	Hiccup mode, recovers automatically after fault condition is removed									
	OVER VOLTAGE	14 ~ 16V	17.5 ~ 23V	23 ~ 27V	28 ~ 34V	34 ~ 40V	41 ~ 50V	46 ~ 54V	53 ~ 62V	58 ~ 66V	
		Protection type : Shut down o/p voltage, re-power on to recover									
OVER TEMPERATURE	Shut down o/p voltage, re-power on to recover										
ENVIRONMENT	WORKING TEMP.	-35 ~ +70°C (Refer to "Derating Curve")									
	WORKING HUMIDITY	20 ~ 95% RH non-condensing									
	STORAGE TEMP., HUMIDITY	-40 ~ +80°C, 10 ~ 95% RH									
	TEMP. COEFFICIENT	±0.03%/°C (0 ~ 50°C)									
	VIBRATION	10 ~ 500Hz, 5G 12min./1cycle, period for 72min. each along X, Y, Z axes									
SAFETY & EMC	SAFETY STANDARDS	BS EN/EN61558-1,-2-16 listed; BS EN/EN60335-1 listed(except for OWA-60E-48,54); EAC TP TC 004, IP67 approved for power body									
	WITHSTAND VOLTAGE	I/P-O/P:3.75KVAC									
	ISOLATION RESISTANCE	I/P-O/P:100M Ohms / 500VDC / 25°C / 70% RH									
	EMC EMISSION	Compliance to BS EN/EN55032 (CISPR32) Class B, BS EN/EN55014-1, BS EN/EN61000-3-2 class A, BS EN/EN61000-3-3;EAC TP TC 020									
	EMC IMMUNITY	Compliance to BS EN/EN61000-4-2,3,4,5,6,8,11, BS EN/EN55024, BS EN/EN55014-2, light industry level (surge L- N : 2KV),EAC TP TC 020									
OTHERS	MTBF	4386.2K hrs min. Telcordia SR-332 (Bellcore)		522.9K hrs min.		MIL-HDBK-217F (25°C)					
	DIMENSION	130*53*35mm									
	PACKING	0.41Kg; 16pcs/11Kg/0.85CUFT									
NOTE	<p>1. All parameters NOT specially mentioned are measured at 230VAC input, rated load and 25°C of ambient temperature.</p> <p>2. Ripple & noise are measured at 20MHz of bandwidth by using a 12" twisted pair-wire terminated with a 0.1uf & 47uf parallel capacitor.</p> <p>3. Tolerance : includes set up tolerance, line regulation and load regulation.</p> <p>4. Length of set up time is measured at cold first start. Turning ON/OFF the power supply may lead to increase of the set up time.</p> <p>※ Product Liability Disclaimer : For detailed information, please refer to https://www.meanwell.com/serviceDisclaimer.aspx</p>										

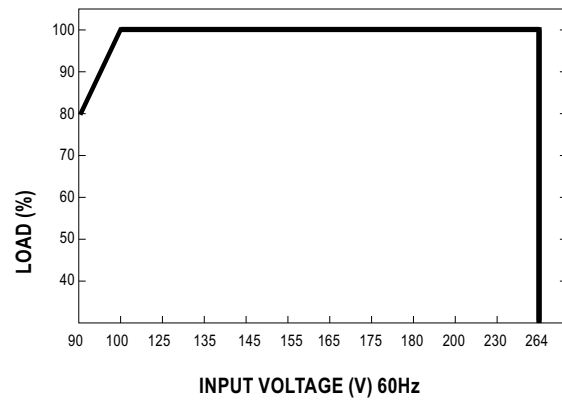
Block Diagram



Derating Curve

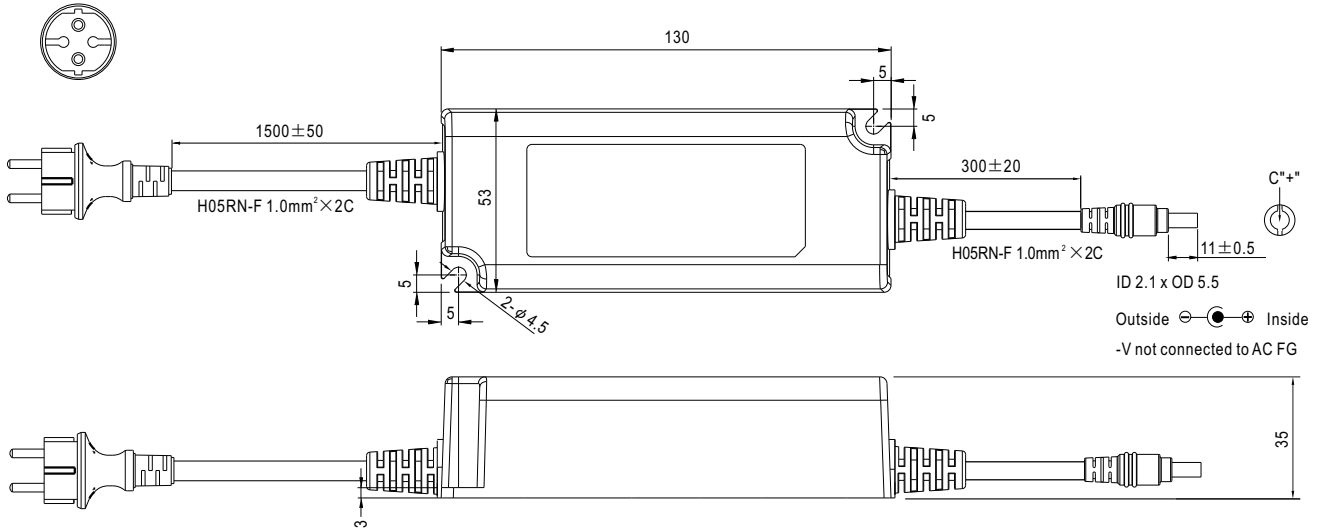


Static Characteristics



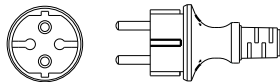
■ Mechanical Specification

CASE NO.: OWA-60 Unit:mm



■ Input Plug Type

All standard models : CEE 7/7



■ Output Plug Assignment

Model Category	Plug Description	Plug Picture	PIN NO.	OUTPUT
For standard model	2.1φ x 5.5φ x 11 mm, center +, tuning fork type	 Outside ⊖ ⊕ ⊖ Inside	CENTER	+V
For optional model	Lumberg 3611 03, or equivalent		1	+V
			2	float
			3	-V
For optional model	XLR 3P, NEUTRIK NC3MX, or equivalent		1	+V
			2,3	-V
For optional model	XLR 4P, NEUTRIK NC4MX, or equivalent		1,2	+V
			3,4	-V
For optional model	CHOGORI 22002411-01 or equivalent		1	+V
			2	-V
For optional model	Unicable UT-D170F4-2P or equivalent		1	+V
			2	-V
For optional model	Unicable UT-D224-2P or equivalent		1	+V
			2	-V

※ For details, please contact MEAN WELL.

■ Installation Manual

Please refer to : <http://www.meanwell.com/manual.html>