

Piezosignalgeber RMP-28SW12-PT/DT Art.-Nr. 185600

Specification:

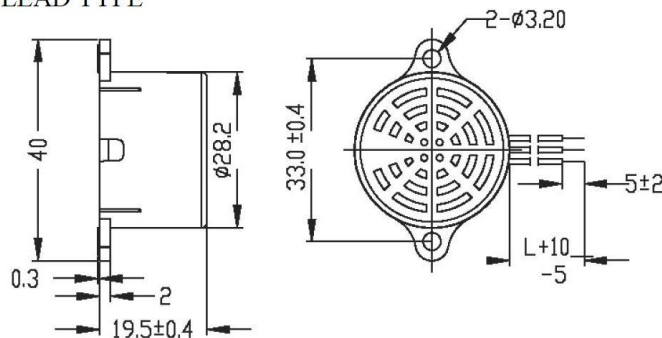
TYPE	UNIT	RMP-28SW12-PT/DT
• Min. Sound Output at 30cm	dB	90/80
Rated Voltage	VDC	12
Operating Voltage	VDC	8~15
Resonant Frequency	Hz	2800±100
• Max. Current Consumption	mA	25/25
Tone	3 Leads	Pulse/Single
Puls Rate at Rated Voltage	Pulse/Sec	2-7
Operating Temperature	°C	-20~+70
Storage Temperature	°C	-30~+70
Weight	g	10

- Value applying at rated voltage

Dimensions:

(Unit: mm)

LEAD TYPE



Frequency response:

