

Dim controller

KZQ-5B



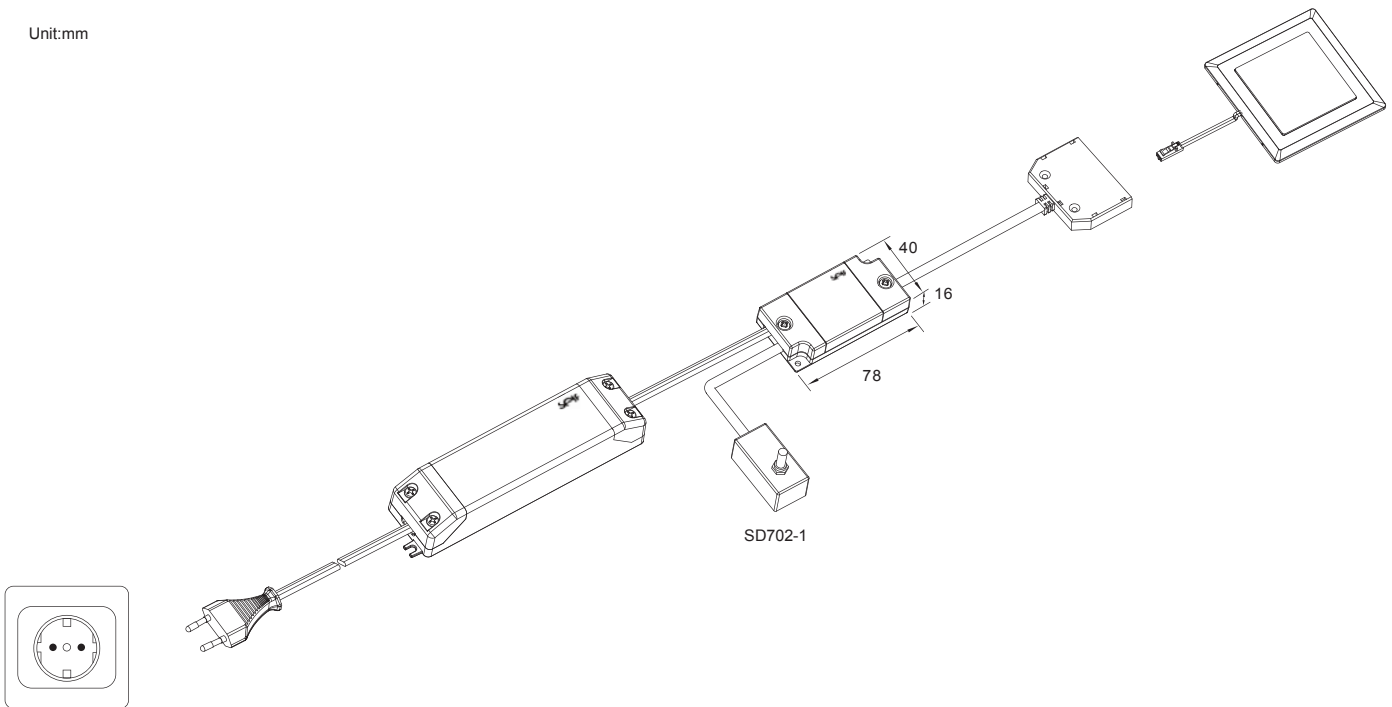
Features

- PWM dimming
- Rotating the potentiometer(150kΩ) or dimmer will set light to desired brightness level 0-100%.
- Open circuit, short circuit, over load protection

Tech Specs

- Rated input voltage: 12/24V
- Rated output voltage: 12/24V
- Rated load: 40/80W
- Standby power: <0.2W
- Dimensions: 78x40x16mm(3-1/16"x1-9/16"x5/8")

Unit:mm



Order information

Order.No.	Type	Model	Description	Carton quantity(pcs)	Carton dimension(mm)	G.W./CTN (kg)
1002-111112-0130	Controller	KZQ-5B	Dim controller dimming by a potentiometer(150kΩ) or 1-10V signal	200	340*235*250	8.3
1061-370202-0130	Accessory	SD702-1	1-10V rotary Dimmer	200	435*245*200	4.7
1001-610146-0130	Power supply	SLT30-12VVG-Es	Power supply, input: 220-240V/50-60Hz,0.95C, constant 12V/30W, 165x40x30mm, more options please see page 53	40	365*240*175	10
1001-660240-0131	Power supply	SLT60-24VVG-E	Power supply, input: 220-240V/50-60Hz,0.95C, constant 24V/60W, 188x45x30mm, more options please see page 53	32	405*215*180	8.7
1099-000153-0131	Distributor	6-Way TOP Distributor(12V)	150mm 6-way distributor, max. 3A, more options please see page, more options please see page 54	500	535*335*225	10.5
1099-000153-0130	Distributor	6-Way TOP distributor(24V)	150mm 6-way distributor, max. 3A, more options please see page 54	500	535*335*225	10.5