

Constant Current LED Power Supply



Product description:

This type of power supply is an exclusively designed stabilized power supply for LED lamp. With constant current (CC) technology, it is suitable for constant current lamps (350/500/700mA) connected in a series.

The built-in protection circuit will shut down the power supply in case of such faults as: open circuit, short circuit, over load or over temperature. The power supply will restart automatically after fault correction.

Standards:

EN61347-1
EN61347-2-13
EN61547
EN55015
EN61000-3-2
EN61000-3-3
EN62384
EN62493

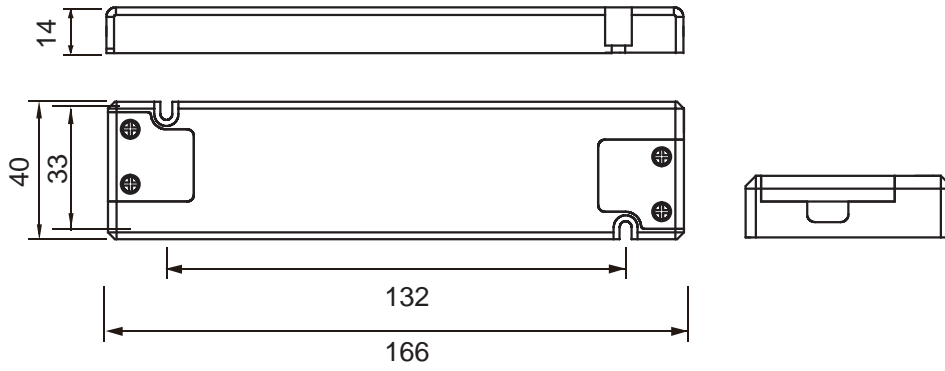
Characteristics:

- Independent power supply for constant current LED lamp
- Special design screw terminal for field connection
- Mini DC socket at the secondary side for quick connection
- Class II protection against electric shock from direct and indirect contact
- SELV output
- Open circuit, short circuit, over load and over temperature protection
- Auto restart after fault conditions removal
- Efficiency $\geq 83\%$ (AC230V, full load)

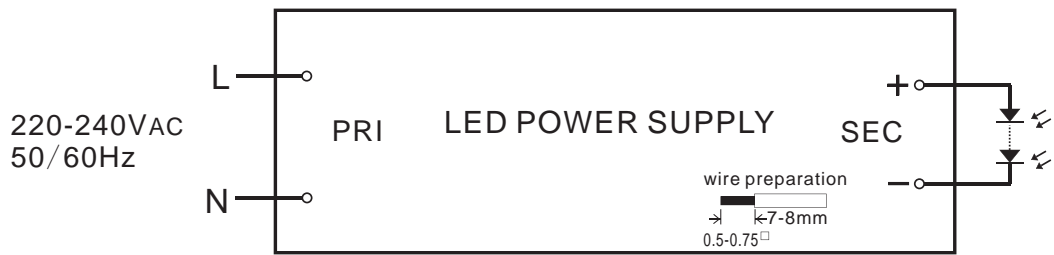
Specifications:

Model	SLT20-350IFG	SLT20-500IFG	SLT20-700IFG	
Output	turn on time(S)	≤0.5	≤0.5	≤0.5
	output current(mA)	350	500	700
	output current tolerance ^①	+/-10%	+/-10%	+/-10%
	ripple current(mA)	40(l _{p-p})	30(l _{p-p})	30(l _{p-p})
	working voltage range(V)	6-56	6-40	6-29
	Max. output voltage(V)	58	45	35
	dimming interface	No		
	dimming range	n/a		
Input	rated supply voltage(Vac)	220-240	220-240	220-240
	voltage range(Vac)	198-264	198-264	198-264
	line frequency(Hz)	50/60	50/60	50/60
	input current(mA)	200	200	200
	efficiency ^②	85.5%	84.5%	83.5%
	power factor ^②	0.5	0.5	0.5
	inrush current(lpk)	27.75A/57.8uS	27.75A/57.8uS	27.75A/57.8uS
Protection	over voltage protection	YES	YES	YES
	short circuit protection	YES	YES	YES
	over temperature protection	YES	YES	YES
	automatic restart	YES	YES	YES
	over load protection	YES	YES	YES
	surge capacity	L-N: 500V	L-N: 500V	L-N: 500V
Ambient and Life	Ta(°C)	-20...50		
	Tc max. (°C)	85		
	Storage Temperature(°C)	-30...85		
	ambient humidity range	5%...85%, Not condensing		
	nominal life-time(hrs)	35'000@Tc=90°C		
Other	weight(g)	90		
	dimensions (L×W×H)(mm)	166x40x14		
	casing material	Plastic		
	housing colour	White+Blue		
	type of protection	IP20		
	protection class	ClassII		
Note	<p>1.Tolerance : includes set up tolerance, line regulation and load regulation. 2.Tested at full load,230Vac.Refer to"Power Factor" and "EFFICIENT"curve graphs. 3.All parameters NOT specially mentioned are measured at nominal voltage input, rated load and 25 of ambient temperature. 4.The power supply is considered as a component that will be operated in combination with final equipment. Since EMC performance will be affected by the complete installation, the final equipment manufacturers must re-qualify EMC Directive on the complete installation again.</p>			

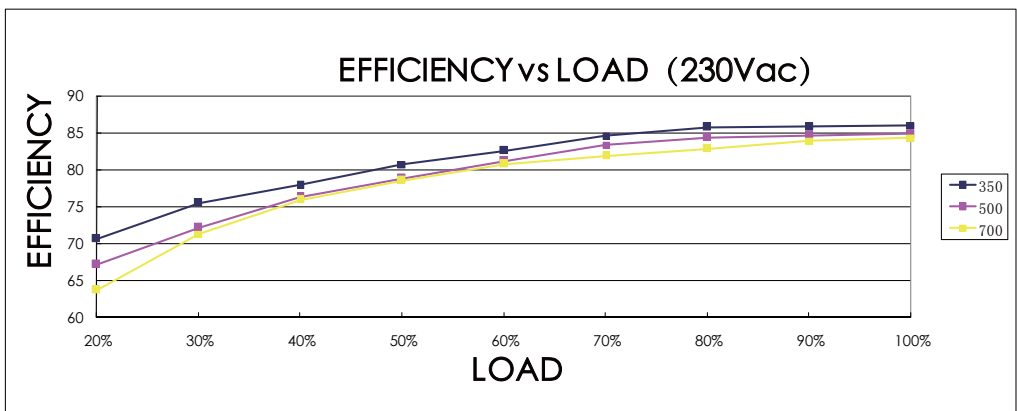
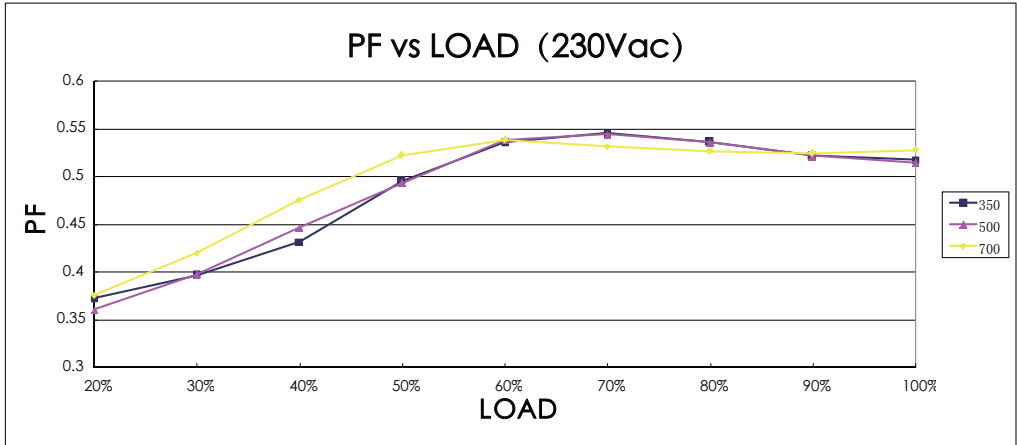
Dimensions(mm):



Wiring diagram:



Electrical curves:



note
 For constant current power supply,"LOAD" means the percentage of the maximum rated output voltage.
 For constant voltage power supply,"LOAD" means the percentage of the maximum rated output current.

Sales & Technical Support:

Self Electronics Co.,Ltd.

Add: No. 1345 Ju Xian Road, Ningbo Hi Tech Park, Ningbo, China

Tel: 0086-574-28805765,28805658(For English Assistance)

0086-574-28805678 (For Chinese Assistance)

Fax: 0086-574-28805656

E-mail: sales@self-ecg.com

<http://www.self-ecg.com>

Self Electronics Co.,Ltd.,Shenzhen Office

Add: Room2007,Xinglang Xuan,Xinghe Mingju,Fuming Road,Futian District,Shenzhen

Tel: 0086-755-83558850, 83558851

Fax: 0086-755-83558840

SELF ELECTRONICS FRANCE BRANCH OFFICE

Add:12-14 rue Raymond Ridet, 92250 La Garennes Colombes

Tel: 0033 (0)1 72 42 71 57

E-mail: saleseu@self-electronics.com

SELF ELECTRONICS GERMANY GMBH

Add:August-Horch-Str. 7,51149 Koeln

Tel: 0049 2203 18501-0

Fax: 0049 2203 18501-199

E-mail: saleseu@self-electronics.com

*Due to continuous improvements and innovations,specifications are subjected to change without notice.