

HITPOINT

SPECIFICATION

PRODUCT TYPE: **PB-1027M-03Q**

(RoHS)

DSND BY		
CHKD BY		
APVD BY		
Revision level	Description of changes	Changed Date
VER.:1	Change the reel's size	2011/5/16

光 键 股 份 有 限 公 司

HITPOINT INC.

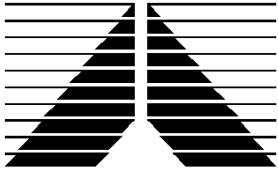
Add : No.4, Lane 505 ,Zhongzheng Road, Linkou Shiang, Taipei,Taiwan24445

Tel : + 886-2-2601-3311

FAX : + 886-2-2601-3898

Manufactory:苏州景康电子有限公司

<http://www.hitpoint.com.tw/>



HITPOINT

TEL:886-2-2601-3311

FAX:886-2-2601-3898

NO.4 Lane 505, Zhongzheng Rd., Linkou Shiang, Taipei, Taiwan 24445 . R.O.C

Magnetic Buzzer

PB-1027M-03Q

(RoHS)

DATE:2011/5/16

1 . Electrical Characteristics

VER.:1

Oscillation Frequency (Hz)	2700
Operating Voltage (Vp-p)	2.0 ~ 4.0
Rated Voltage (Vp-p)	3.0
Current Consumption (mA/max)	100at Rated Voltage
Sound Pressure Level (dB/min)	85 at 10cm at Rated Voltage
Coil Resistance (Ω)	17.5 \pm 3
Operating Temperature ($^{\circ}$ C)	-30 ~ +70
Storage Temperature ($^{\circ}$ C)	-40 ~ +85
Condition by reflow soldering ($^{\circ}$ C)	250 \pm 5 $^{\circ}$ C / within10sec
Condition by hand ($^{\circ}$ C)	350 \pm 20 $^{\circ}$ C / within 5sec

PS : Vp-p= 1/2duty , square wave



HITPOINT

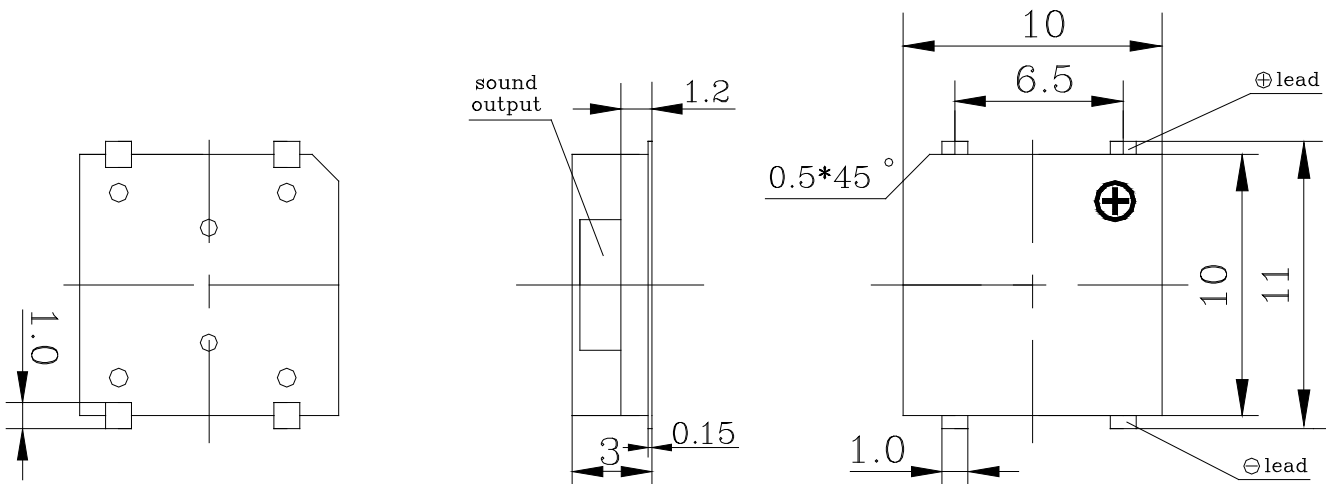
TEL:886-2-2601-3311

FAX:886-2-2601-3898

NO.4 Lane 505, Zhongzheng Rd., Linkou Shiang, Taipei, Taiwan 24445 . R.O.C

2 . Dimensions and Material

2-1 Shape

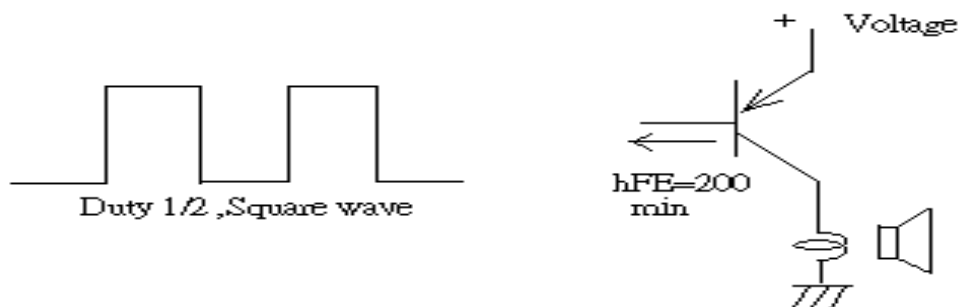


Unit : mm TOL : ±0.3

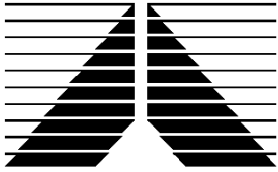
2-2 Material

Housing	LCP plastic resin (Color : Black)
Type Of Connection Terminals	SMD
Weight (Gram)	1.0

3 . Recommend Driving Circuit



The base current I_b should high enough so that it saturates the collector current of the transistor with the CB load.



HITPOINT

TEL:886-2-2601-3311

FAX:886-2-2601-3898

NO.4 Lane 505, Zhongzheng Rd., Linkou Shiang, Taipei, Taiwan 24445 . R.O.C

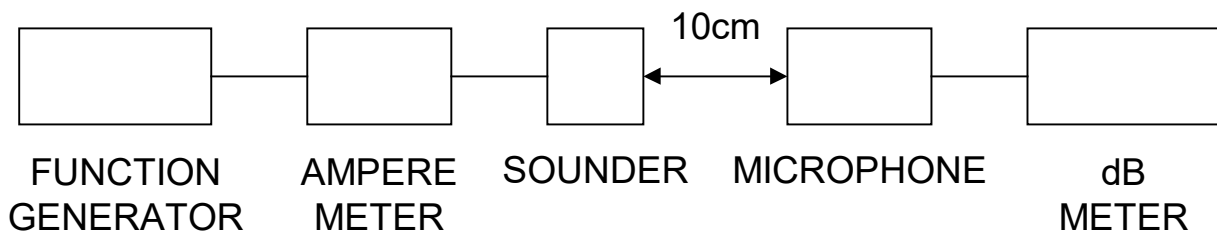
4. TESTING METHOD

· *Standard Measurement conditions*

Temperature:25±2°C Humidity:45-60%

· *Acoustic Characteristics*

The oscillation frequency, current consumption and sound pressure are measured by the measuring instruments shown below.





HITPOINT

TEL:886-2-2601-3311

FAX:886-2-2601-3898

NO.4 Lane 505, Zhongzheng Rd., Linkou Shiang, Taipei, Taiwan 24445 . R.O.C

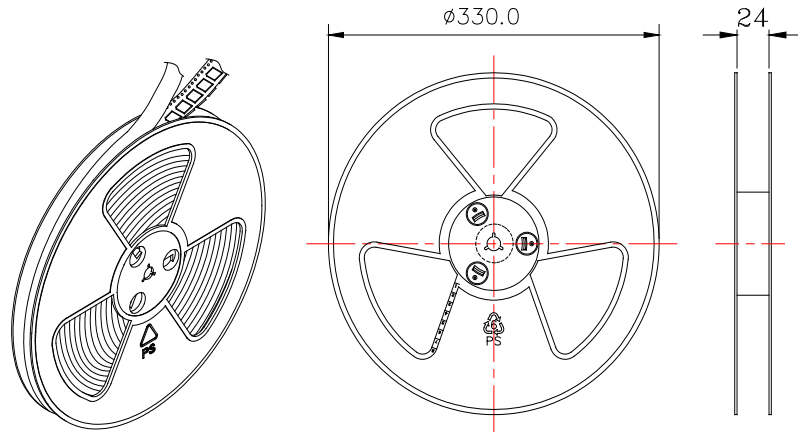
5. RELIABILITY

ITEMS	METHOD OF TEST AND MEASUREMENTS	PERFORMANCE
<i>Coldness withstanding</i>	<i>After 98 hours of being exposed to -30 °C environment, should be returned to normal environment for 2 hours, then re-proceed to test.</i>	<i>No abnormality shall exist</i>
<i>Hotness withstanding</i>	<i>After 98 hours of being exposed to +80 °C environment, should be returned to normal environment for 2 hours, then re-proceed to test.</i>	<i>No abnormality shall exist</i>
<i>Humidity withstanding</i>	<i>After 98 hours of being exposed to 40 °C 95%RH environment in actual operation, should be returned to normal environment for 2 hours, then re-proceed to test.</i>	<i>No abnormality shall exist</i>
<i>Durability</i>	<i>Testing after 1,000 hours actual continuous operation. (at standard measurement conditions)</i>	<i>No abnormality shall exist</i>
<i>Drop withstanding</i>	<i>A natural drop from 75cm high down to the ground.</i>	<i>No abnormality shall exist</i>
<i>Vibration withstanding</i>	<i>Vibration of 2,000 cycles per minute, 2mm amplitude, applied in X, Y and Z directions for 30 minutes each.</i>	<i>No abnormality shall exist</i>

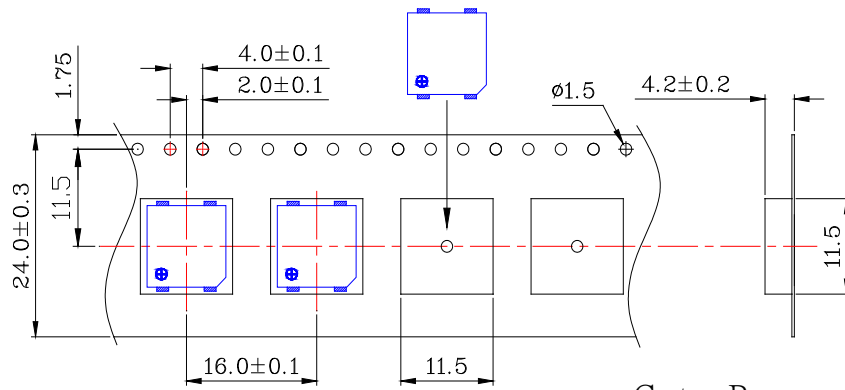
6. PACKAGE METHOD

< 1 > 800pcs per reel;

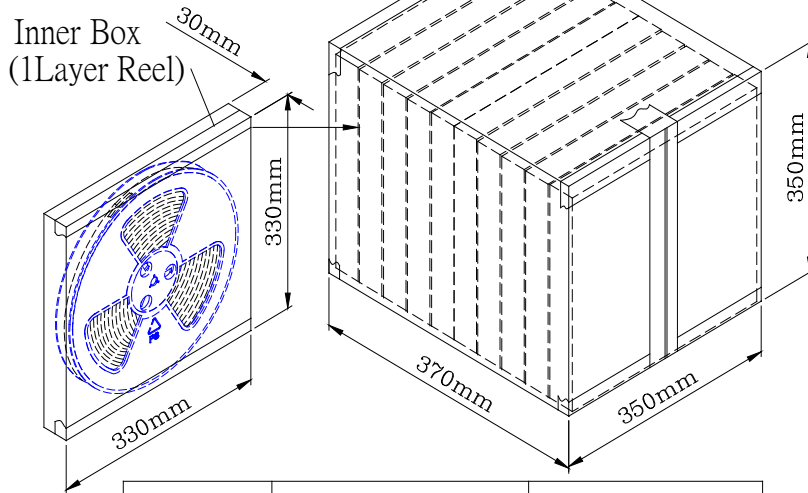
(8000pcs of PB-1027M-03Q are packed in a carton box.)



1 Reel : 800PCS



Carton Box
(10 Inner Box)



Inner Box	330mmx330mmx30mm	1x800PCS=800PCS
Carton Box	350mmx350mmx370mm	10x800PCS=8,000PCS

< 2> RoHS Mark: