

HITPOINT

TEL: 8862-26013311

FAX: 8862-26013898

NO.4 Lane 505, Zhongzheng Rd., Linkou Shiang, Taipei, Taiwan 24445 . R.O.C

Piezo Electric Buzzer

PK-09N40MQ

(RoHS)

DATE:2017.03.20

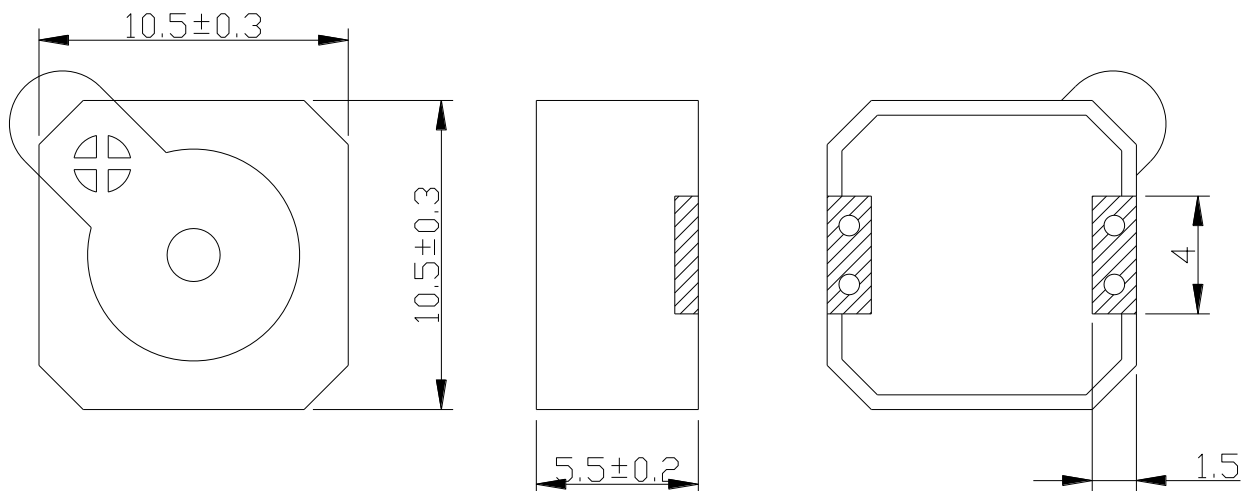
1. Electrical Characteristics

VER.:3

Oscillation Frequency (KHz)	4.0 ±0.3
Operating Voltage (Vdc)	2.5~5.5
Rated Voltage (Vdc)	5.0
Current Consumption (mA/max.)	2 at Rated Voltage
Sound Pressure Level (dB/min.)	80 at 10cm at Rated Voltage
Tone/Pulse Rate	Constant
Operating Temperature (°C)	-20 ~ +100
Storage Temperature (°C)	-30 ~ +110
Condition by reflow soldering (°C)	250±5°C/ within5sec
Condition by hand (°C)	350±20°C / within 5sec

2. Dimensions and Material

2-1 Shape



安装需注意极性不可接反!

Unit : mm



HITPOINT

TEL: 8862-26013311

FAX: 8862-26013898

NO.4 Lane 505, Zhongzheng Rd., Linkou Shiang, Taipei, Taiwan 24445 . R.O.C

2-2 Material

Housing	LCP (Color : Black)
Weight (Gram)	0.8

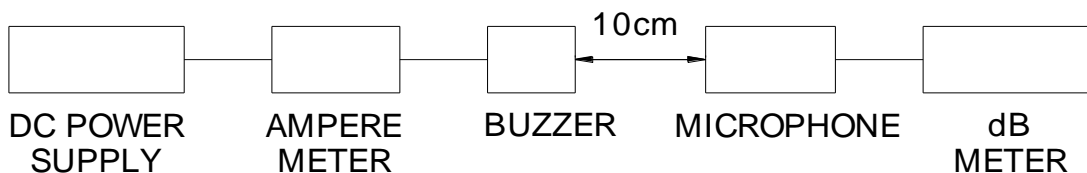
3. TESTING METHOD

· *Standard Measurement conditions*

Temperature: 25±2°C Humidity: 45-60%

· *Acoustic Characteristics*

The oscillation frequency, current consumption and sound pressure are measured by the measuring instruments shown below.





HITPOINT

TEL: 8862-26013311

FAX: 8862-26013898

NO.4 Lane 505, Zhongzheng Rd., Linkou Shiang, Taipei, Taiwan 24445 . R.O.C

4. RELIABILITY

ITEMS	METHOD OF TEST AND MEASUREMENTS	PERFORMANCE
Coldness withstanding	After 98 hours of being exposed to -30°C environment, should be returned to normal environment for 2 hours, then re-proceed to test.	No abnormality shall exist
Hotness withstanding	After 98 hours of being exposed to $+110^{\circ}\text{C}$ environment, should be returned to normal environment for 2 hours, then re-proceed to test.	No abnormality shall exist
Humidity withstanding	After 98 hours of being exposed to 40°C 95%RH environment in actual operation, should be returned to normal environment for 2 hours, then re-proceed to test.	No abnormality shall exist
Durability	Testing after 98 hours actual continuous operation.(at standard measurement conditions)	No abnormality shall exist
Drop withstanding	A natural drop from 75cm high down to the ground.	No abnormality shall exist
Vibration withstanding	Vibration of 2,000 cycles per minute, 2mm amplitude, applied in X, Y and Z directions for 30 minutes each.	No abnormality shall exist

5. PACKAGE METHOD

< 1 > 600pcs per tape reel; 10 tape reels per carton , total 6000pcs carton;

Volume: L*W*H=360*360*360mm

< 2 > N.W. ; 4.8 KGS ; G.W. : 6.8 KGS ;

< 3 > RoHS Mark

