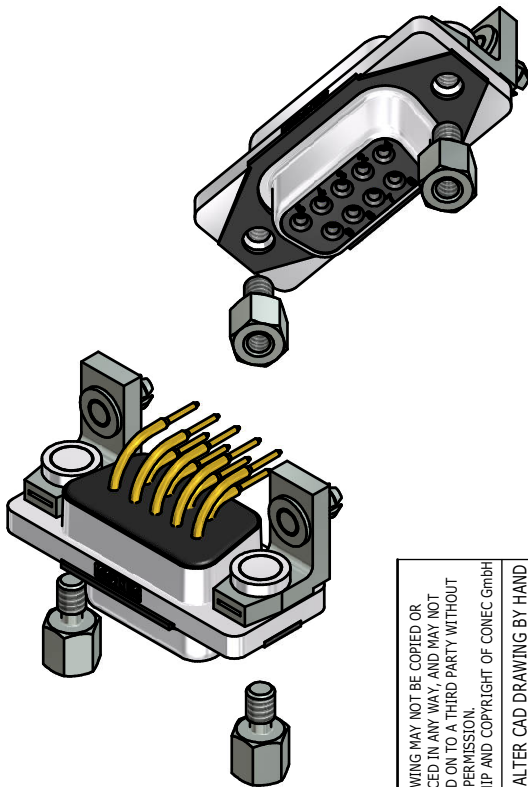
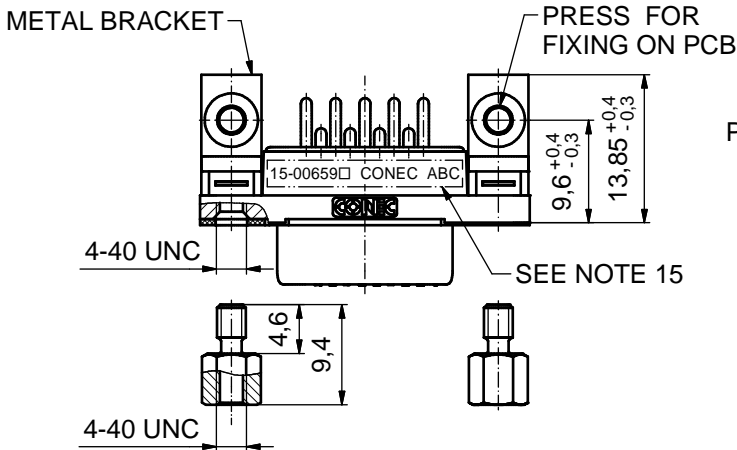
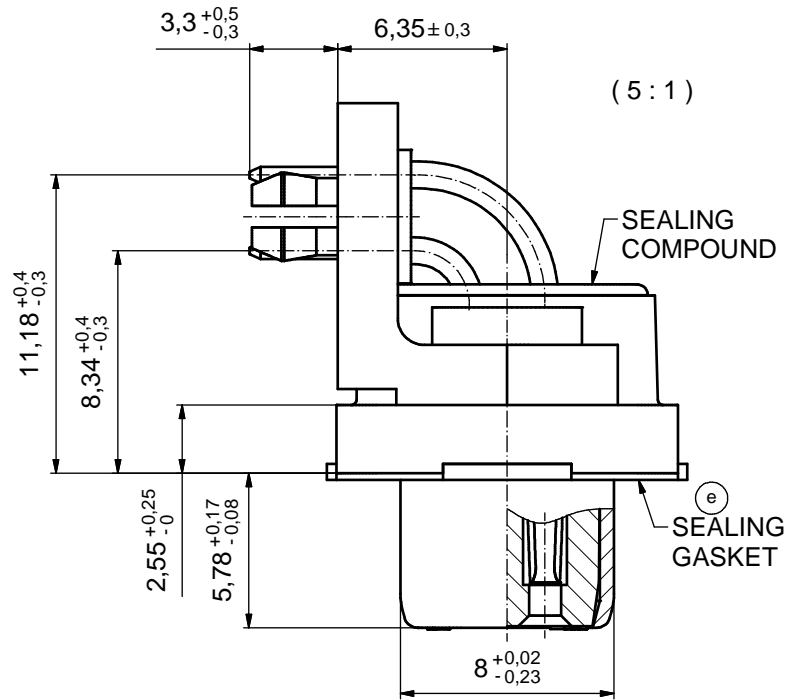
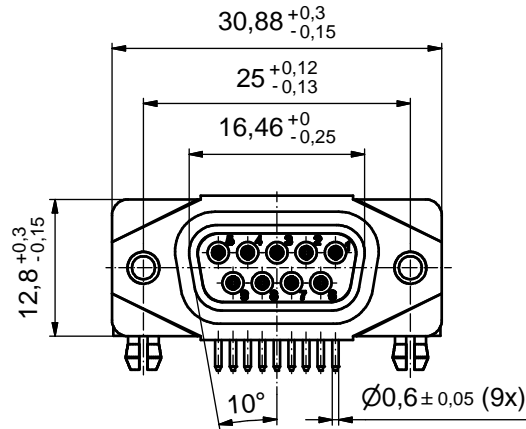


AT ALL TIMES WATER RESISTANT CONNECTORS NOT IN USE SHOULD BE COVERED WITH A CONEC WATER RESISTANT CAP OR WATER TIGHT HOOD.



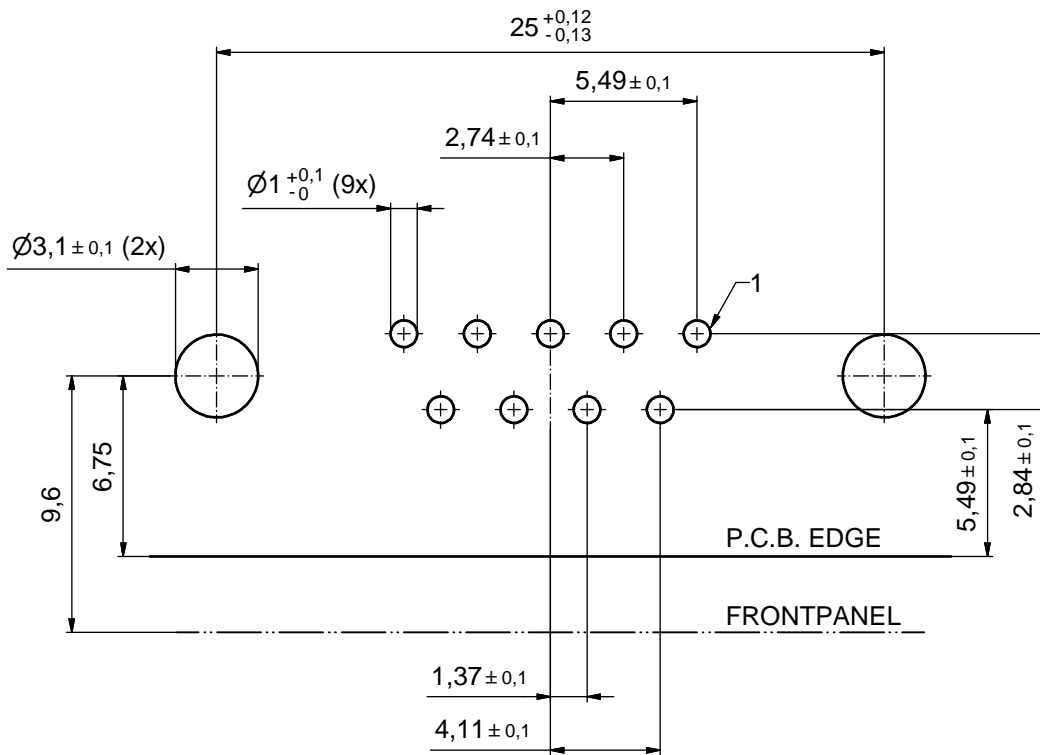
RoHS compliant

- NOTES:**
- FOR WAVESOLDERING (SOLDER BATH TEMPERATURE 265°C FOR 8 SEC. AND SOLDER PREHEAT 150°C FOR 180 SEC.)
  - IP RATING: IP 67
  - SEALED TO WITHSTAND PRESSURE UP TO 1,45 PSI FOR 30 MINUTES AFTER HIGH TEMPERATURE EXPOSURE
  - METAL SHELL: ZINC DIE CAST; min. 50µin NICKEL PLATING over COPPER
  - INSULATORS: PBT GF UL 94 V-0
  - SEALING GASKET: SILICONE
  - SEALING COMPOUND: EPOXY
  - CONTACTS: COPPER ALLOY PLATING (SEE PART NO.): □ PLEASE ADD 1 for 30µin HARD GOLD over min. 50µin NICKEL □ PLEASE ADD 3 for GOLD FLASH over NICKEL
  - METAL BRACKETS: ZINC DIE CAST; 300µin COPPER/40-120µin NICKEL/120-200µin TIN
  - WASHERS: COPPER ALLOY; 80µin NICKEL
  - HEXLOCKING SCREWS: STAINLESS STEEL
  - PCB-SNAPS: COPPER ALLOY; min. 200µin TIN over 80µin NICKEL PCB-HOLE: ø3,1±0,1mm; PCB THICKNESS 1,6mm
  - P.C.B. HOLE DRILLINGS and RECOMMENDED PANEL CUT-OUT ON SHEET 2
  - RECOMMENDED TORQUE FOR MOUNTING SCREW 35Ncm (3.1 in.LB) / max. 67Ncm (6 in.LB)
  - CONNECTOR IS PART MARKED: 15-00659 □ CONEC ABC (see note 8)

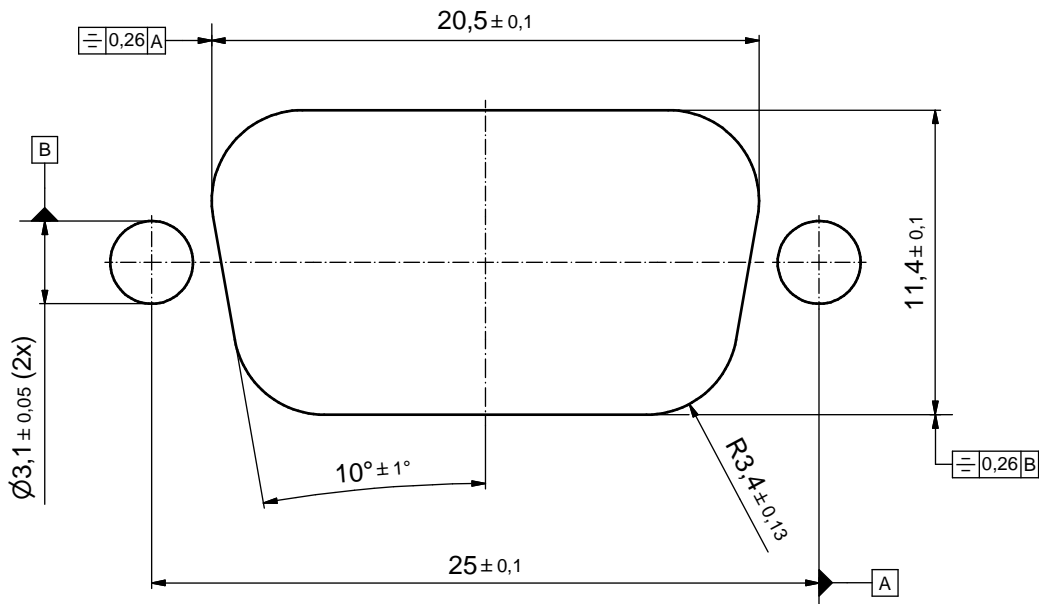
THIS DRAWING MAY NOT BE COPIED OR REPRODUCED IN ANY WAY, AND MAY NOT BE PASSED ON TO A THIRD PARTY WITHOUT WRITTEN PERMISSION. OWNERSHIP AND COPYRIGHT OF CONEC GmbH				tolerance		dim. in mm	scale:	2:1 (5:1)		
				date			name		material:	SEE NOTES
DO NOT ALTER CAD DRAWING BY HAND				drawn	29.09.14	Lehmenkühler	title: <b>D-SUB FEMALE 90°</b> 9pos. SOLDER PIN ANGLED with closed 4-40 UNC thread, metal bracket, snap			
				2 x e	Ä6417	26.06.17			LU.	appd.
rev. description date name				2 x d	Ä5827	25.09.15	LU.	norm	dwg no: <b>15K1A1554</b>	DIN-A3 sh: 1
				2 x c	Ä5800	04.09.15	M.H.	d-old		
CONEC®				4 x b	Ä5793	02.09.15	K.H.		part no: <b>15-00659 □</b> (see note 8)	
				a	Original					

# P.C.B. HOLE DRILLINGS

(P.C.B. TOP SIDE)



# RECOMMENDED PANEL CUT-OUT



THIS DRAWING MAY NOT BE COPIED OR REPRODUCED IN ANY WAY, AND MAY NOT BE PASSED ON TO A THIRD PARTY WITHOUT WRITTEN PERMISSION. OWNERSHIP AND COPYRIGHT OF CONEC GmbH DO NOT ALTER CAD DRAWING BY HAND	tolerance		dim. in mm	scale:	4:1	
				material:	SEE SHEET 1	
	rev.	description	date	name	title:	
			drawn	29.09.14	<b>P.C.B. HOLE DRILLINGS</b> <b>RECOMMENDED PANEL CUT-OUT</b> D-SUB Female 90° 9pos. Solder pin angled	
			appd.	26.01.15		
		norm				
		d-old		dwg no:	DIN-A3	
				15K1A1554		
				sh: 2		
				part no:	SEE SHEET 1	