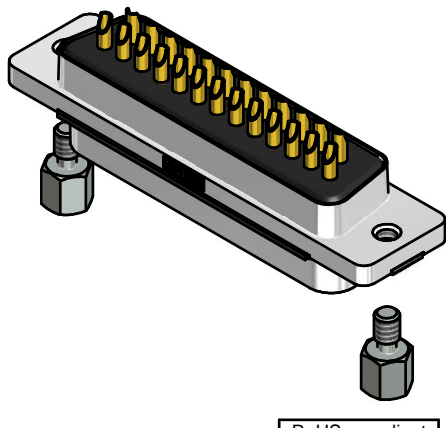
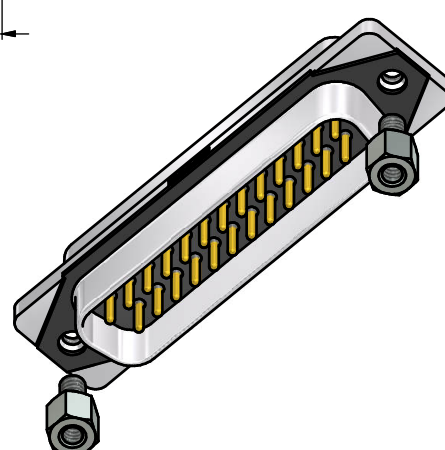
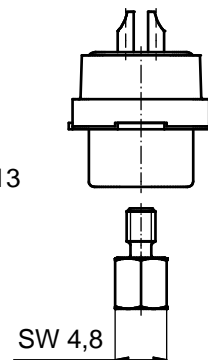
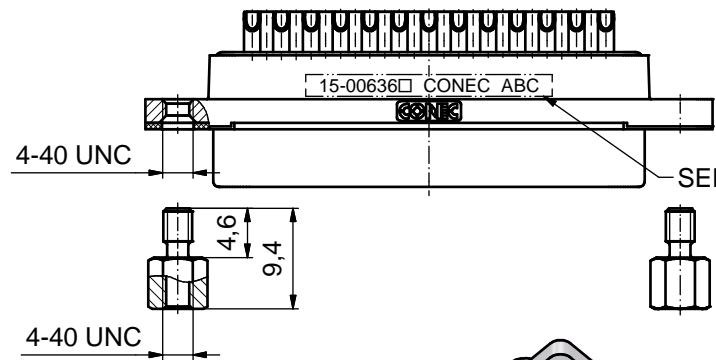
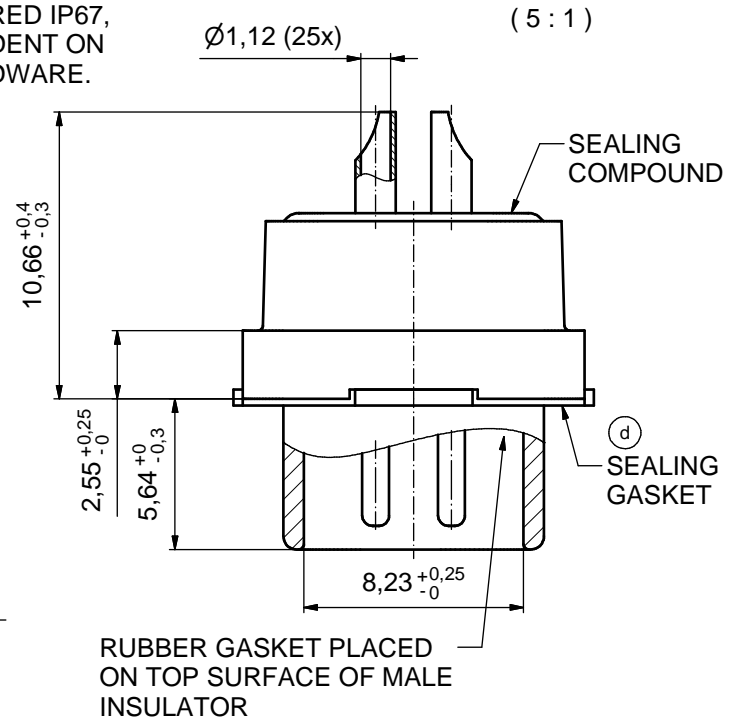
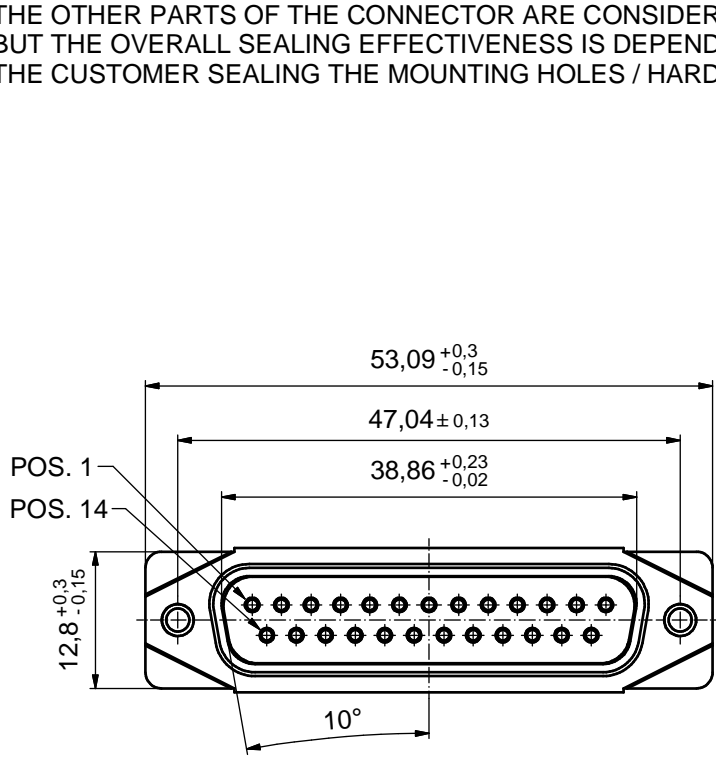


CUSTOMER IS RESPONSIBLE FOR SEALING THE MOUNTING HOLES.
 THE OTHER PARTS OF THE CONNECTOR ARE CONSIDERED IP67,
 BUT THE OVERALL SEALING EFFECTIVENESS IS DEPENDENT ON
 THE CUSTOMER SEALING THE MOUNTING HOLES / HARDWARE.



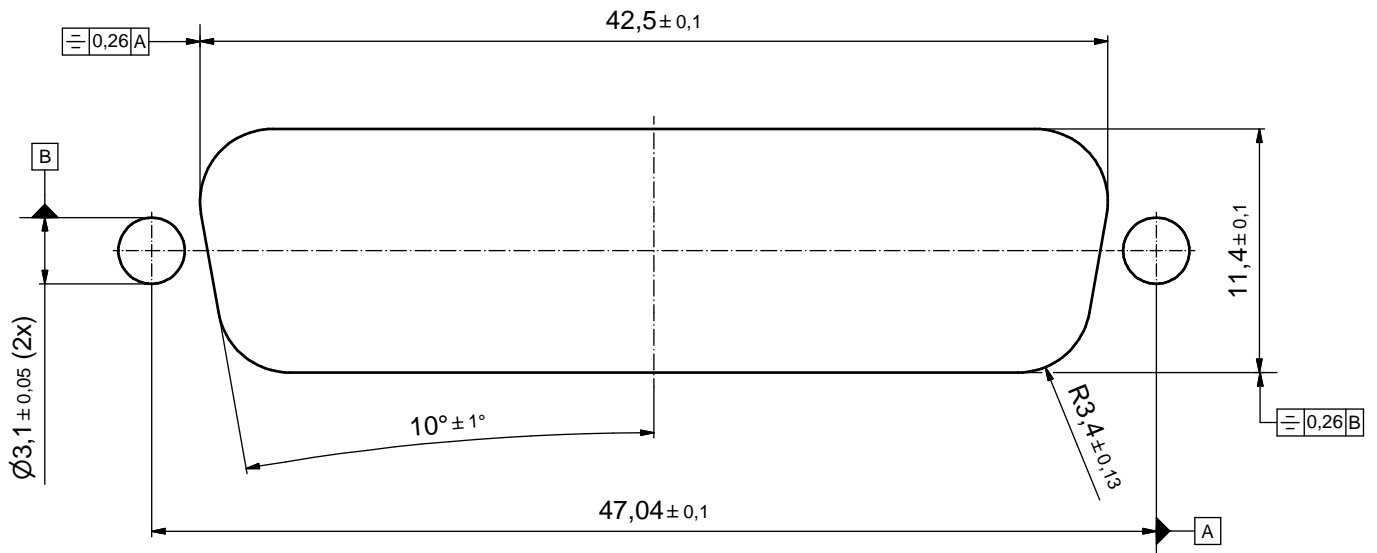
- (d) NOTES:
1. RECOMMENDED SOLDER INSTRUCTION SEE SHEET 2
 2. IP RATING: IP 67
 3. SEALED TO WITHSTAND PRESSURE UP TO 1,45 PSI FOR 30 MINUTES AFTER SOLDERING
 4. METALSHELL: ZINC DIE CAST; min. 50µin NICKEL PLATING over COPPER
 5. INSULATORS: PBT GF UL 94 V-0
 6. SEALING GASKET: SILICONE
 7. RUBBER GASKET: TPE
 8. SEALING COMPOUND: EPOXY
 9. CONTACTS: COPPER ALLOY; PLATING (SEE PART-NO.):
 PLEASE ADD 1 for 30µin HARD GOLD over min. 50µin NICKEL
 PLEASE ADD 3 for GOLD FLASH over NICKEL
 SOLDER CUP ACCEPTS CABLE AWG 20
 10. HEXLOCKING SCREWS: STAINLESS STEEL
 11. RECOMMENDED PANEL CUT-OUT ON SHEET 2
 12. RECOMMENDED TORQUE FOR MOUNTING SCREW
 35Ncm (3.1 in.LB) / max. 67Ncm (6 in.LB)
 13. CONNECTOR IS PART MARKED: 15-00636 CONEC ABC (see note 9)

THIS DRAWING MAY NOT BE COPIED OR REPRODUCED IN ANY WAY, AND MAY NOT BE PASSED ON TO A THIRD PARTY WITHOUT WRITTEN PERMISSION. OWNERSHIP AND COPYRIGHT OF CONEC GmbH DO NOT ALTER CAD DRAWING BY HAND				tolerance		dim. in mm	scale: 2:1 (5:1)	
				date			material: SEE NOTES	
				drawn	23.09.14	Lehmenkühler		title: D-SUB MALE 25pos. SOLDER CUP with open 4-40 UNC thread
				appd.	26.01.15	Fischer		
2 x d	Ä6417	11.05.17	Lehm.	norm				
1 x c	Ä5827	25.09.15	Unkrüer	d-old			dwg no:	DIN-A3 sh: 1
2 x b	Ä5800	07.09.15	M.H.			15K1A1541		
a	Original							part no: 15-00636 (see note 9)
rev.	description	date	name	CONEC				

Solder Instruction

1. Cable should be prepared for soldering. The cable/wires must be pretinned.
2. Insert cable/wire into solder cup.
3. Operate the soldering iron at 350°C, 50 Watt max. and use a pencil tip.
4. Apply some solder to the solder tip of the soldering iron.
5. Put tip to wire in solder cup.
6. After 1 second bring in solder.
7. Heat for 3 seconds longer. Do not heat contact more than 4 seconds in total.
8. Remove soldering iron.
9. Wait until solder gets rigid again.
10. Do not solder adjacent contacts consecutively, alternate position within the connector to minimize heat build up.

RECOMMENDED PANEL CUT-OUT



THIS DRAWING MAY NOT BE COPIED OR REPRODUCED IN ANY WAY, AND MAY NOT BE PASSED ON TO A THIRD PARTY WITHOUT WRITTEN PERMISSION. OWNERSHIP AND COPYRIGHT OF CONEC GmbH DO NOT ALTER CAD DRAWING BY HAND				tolerance		scale: 4:1
				date	name	material: SEE SHEET 1
				drawn	23.09.14	Lehmenkühler
				appd.	26.01.15	Fischer
				norm		
			d-old			
1 x c	Ä5827	25.09.15	Unkrüer	RECOMMENDED PANEL CUT-OUT D-SUB MALE 25pos. SOLDER CUP with open 4-40 UNC thread		
a	Original					
			CONEC [®]		dwg no:	DIN-A3
rev.	description	date			name	15K1A1541
					part no:	SEE SHEET 1