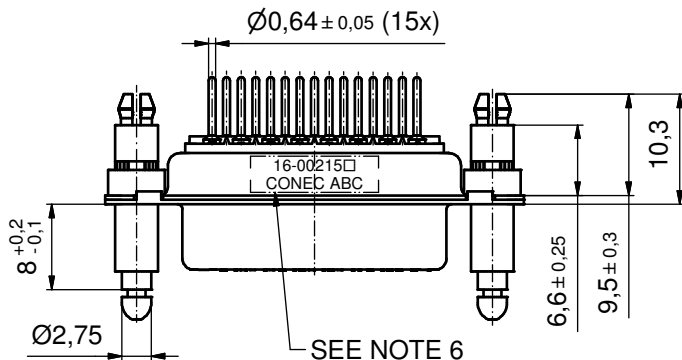
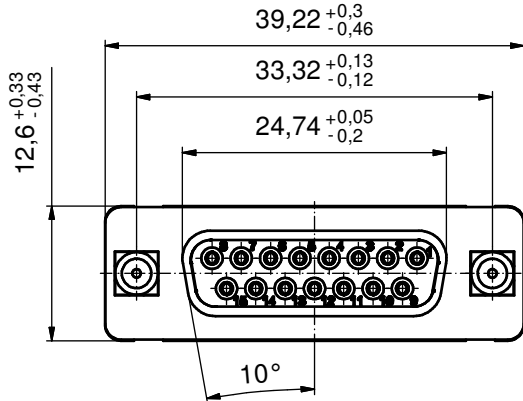
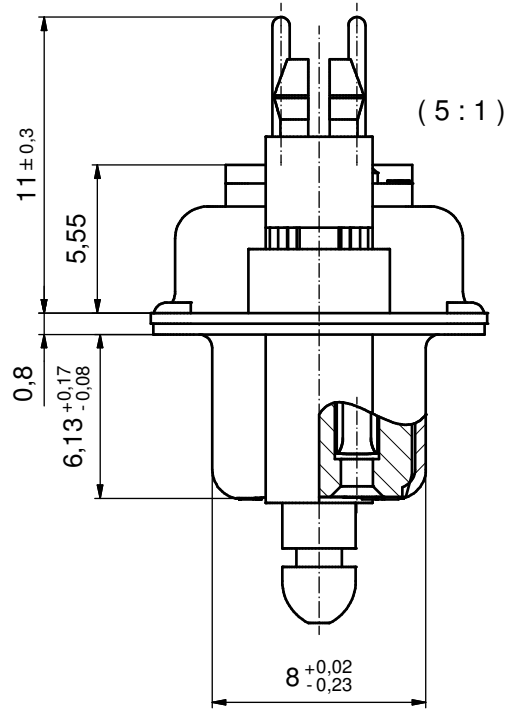
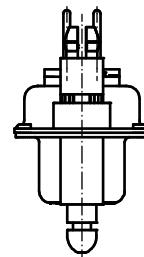
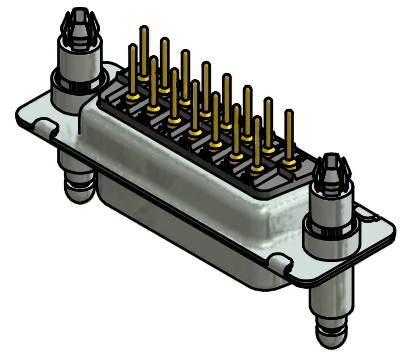


P.C.B. HOLE DRILLINGS
(P.C.B. TOP SIDE)



SEE NOTE 6



NOTES:

- METALSHELLS: STEEL; min. 315µm TIN over 40-80µm NICKEL
- INSULATORS: PBT GF UL 94 V-0; BLACK
- CONTACTS: COPPER ALLOY; PLATING (SEE PART NO.):
 PLEASE ADD 1 for 30µm HARD GOLD over min. 50µm NICKEL
 PLEASE ADD 3 for GOLD FLASH over NICKEL
- SNAP-LOCK AND SPACER CLIPS: COPPER ALLOY;
min. 200µm TIN over 80µm NICKEL
PCB-HOLE: $\phi 3,1 \pm 0,1$ mm; PCB-THICKNESS: 1,6mm
- COLLARS: COPPER ALLOY; min. 200µm over 80µm NICKEL
- CONNECTOR IS PART MARKED: **16-00215 CONEC ABC**

Directive 2002/95/EC RoHS compliant

THIS DRAWING MAY NOT BE COPIED OR REPRODUCED IN ANY WAY, AND MAY NOT BE PASSED ON TO A THIRD PARTY WITHOUT WRITTEN PERMISSION. OWNERSHIP AND COPYRIGHT OF CONEC GmbH DO NOT ALTER CAD DRAWING BY HAND	tolerance		dim. in mm	scale: 2:1 (5:1)		
				material: SEE NOTES		
	date	name	title: D-SUB FEMALE 15pos. SOLDER PIN STRAIGHT with snap-lock and spacer clip			
	drawn 01.10.14	Henneboel				
	appd. 01.10.14	Strakerjahn				
norm		dwg no:		DIN-A3		
d-old		16K1A3540		sh: 1		
rev. a	Original	part no: 16-00215 (see note 3)				
rev.	description	date	name			