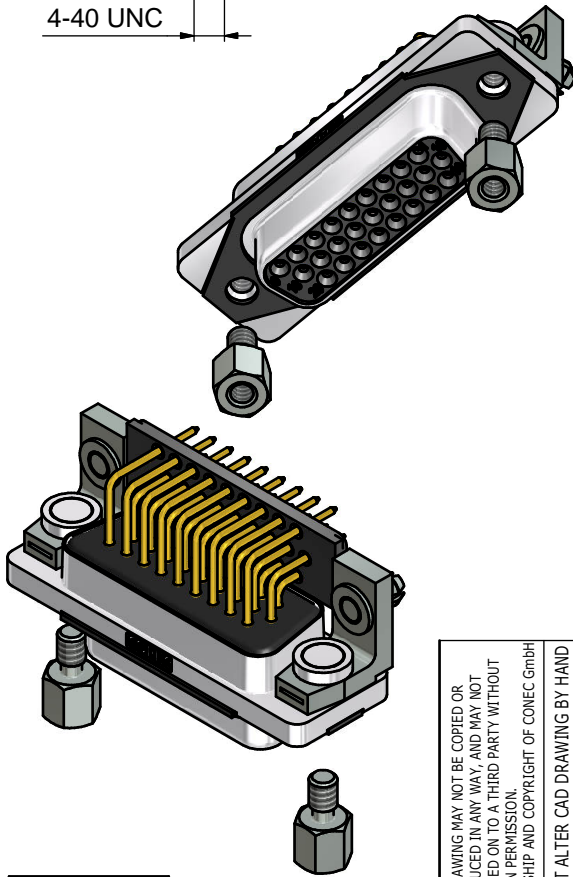
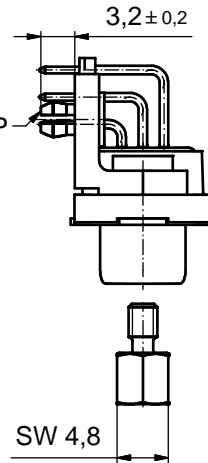
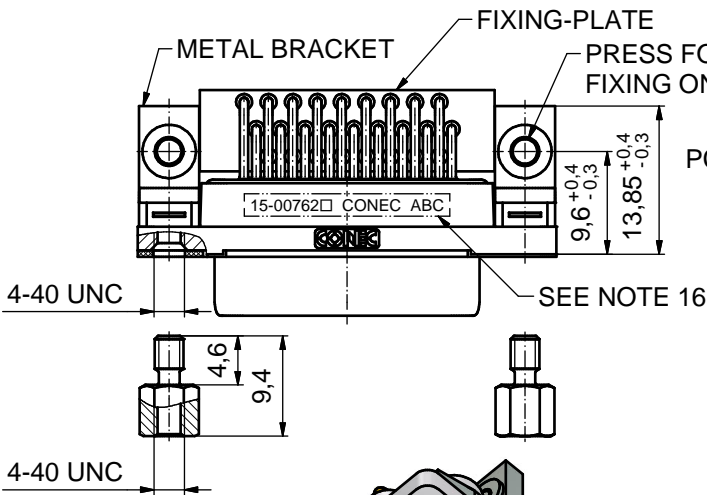
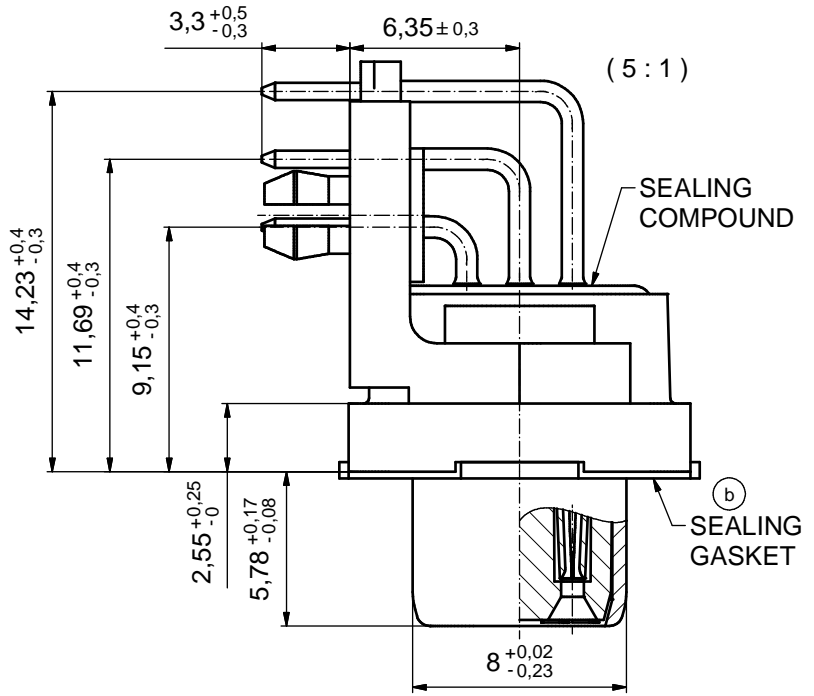
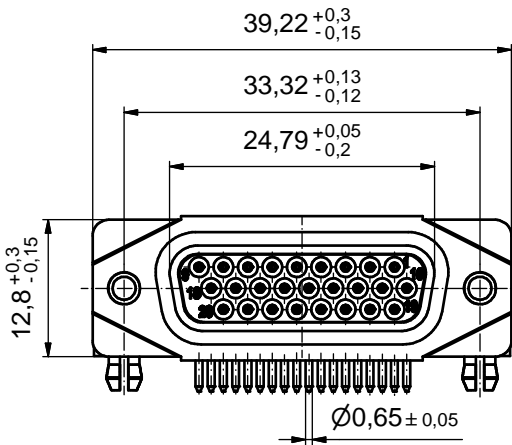


AT ALL TIMES WATER RESISTANT CONNECTORS NOT IN USE SHOULD BE COVERED WITH A CONEC WATER RESISTANT CAP OR WATER TIGHT HOOD.



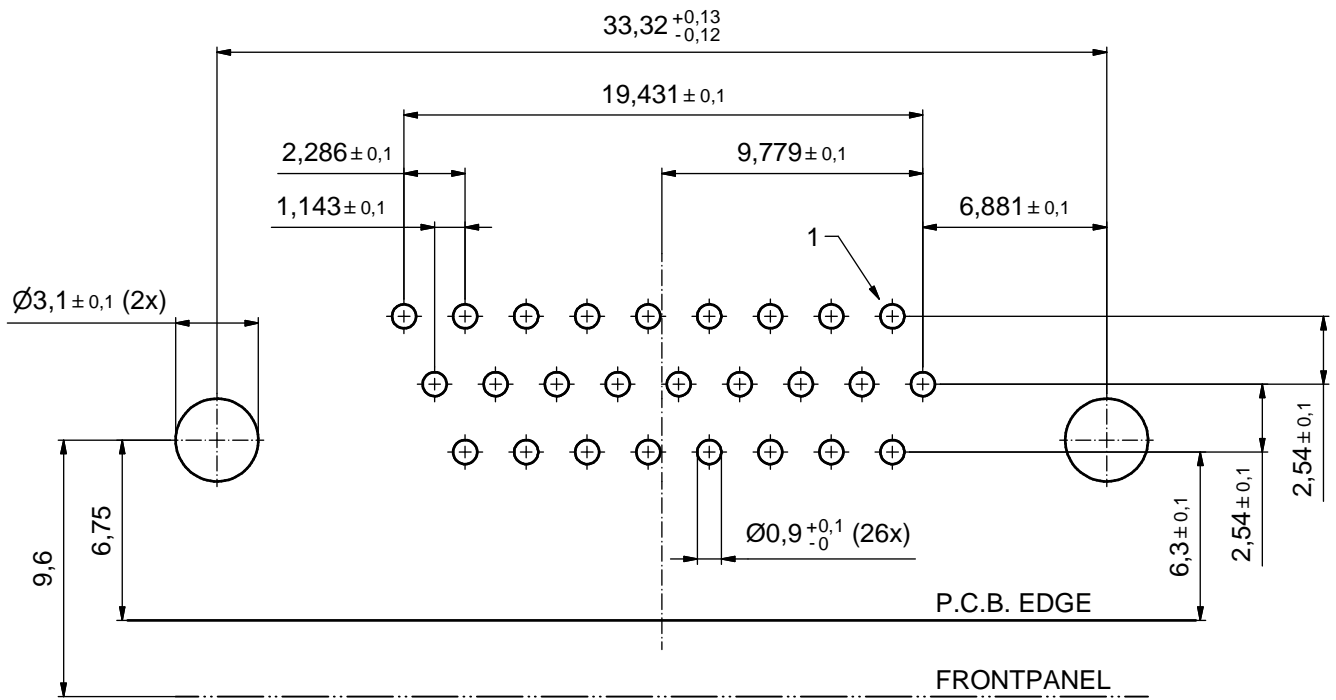
- NOTES: (b)
- FOR WAVESOLDERING (SOLDER BATH TEMPERATURE 265°C FOR 8 SEC. AND SOLDER PREHEAT 150°C FOR 180 SEC.)
  - IP RATING: IP 67
  - SEALED TO WITHSTAND PRESSURE UP TO 1,45 PSI FOR 30 MINUTES AFTER HIGH TEMPERATURE EXPOSURE
  - METAL SHELL: ZINC DIE CAST; min. 50µm NICKEL PLATING over COPPER
  - INSULATORS: PBT GF UL 94 V-0
  - SEALING GASKET: SILICONE
  - SEALING COMPOUND: EPOXY
  - CONTACTS: COPPER ALLOY PLATING (SEE PART NO.):
    - PLEASE ADD 1 for 30µm HARD GOLD over min. 50µm NICKEL
    - PLEASE ADD 3 for GOLD FLASH over NICKEL
  - METAL BRACKETS: ZINC DIE CAST; 300µm COPPER/40-120µm NICKEL/120-200µm TIN
  - WASHERS: COPPER ALLOY; 80µm NICKEL
  - HEXLOCKING SCREWS: STAINLESS STEEL
  - PCB-SNAPS: COPPER ALLOY; min. 200µm TIN over 80µm NICKEL  
PCB-HOLE:  $\phi 3,1 \pm 0,1$ mm; PCB THICKNESS 1,6mm
  - FIXING-PLATE: PBT GF UL 94 V-0; BLACK
  - P.C.B. HOLE DRILLINGS and RECOMMENDED PANEL CUT-OUT ON SHEET 2
  - RECOMMENDED TORQUE FOR MOUNTING SCREW 35Ncm (3.1 in.LB) / max. 67Ncm (6 in.LB)
  - CONNECTOR IS PART MARKED: **15-00762 CONEC ABC** (see note 8)

RoHS compliant

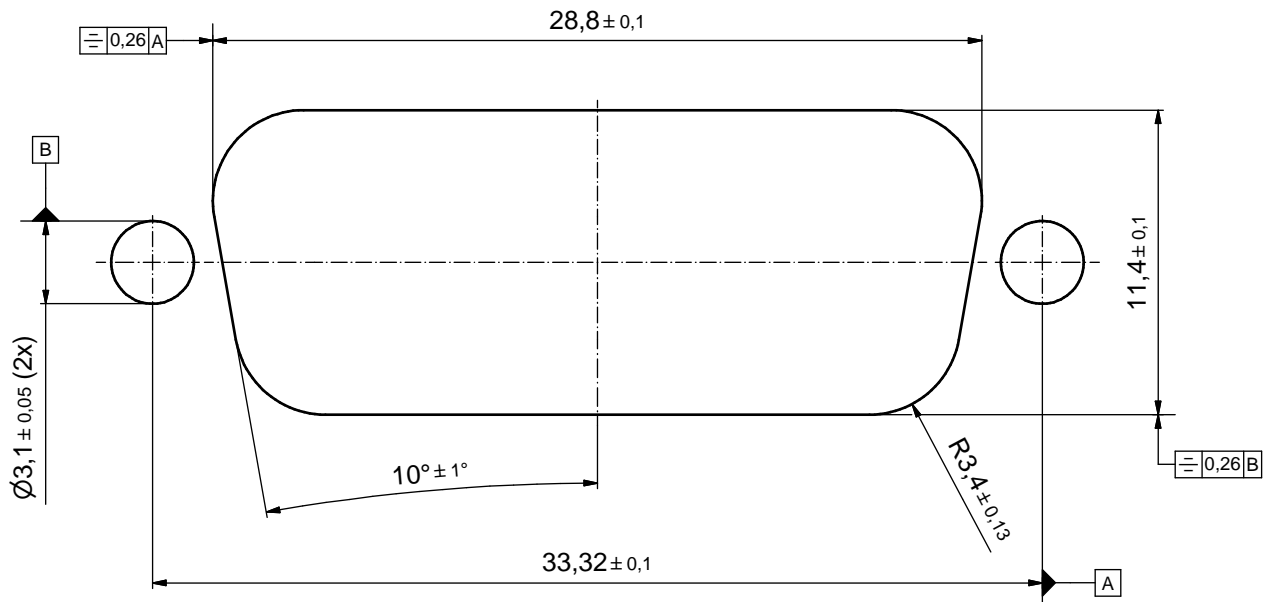
THIS DRAWING MAY NOT BE COPIED OR REPRODUCED IN ANY WAY, AND MAY NOT BE PASSED ON TO A THIRD PARTY WITHOUT WRITTEN PERMISSION. OWNERSHIP AND COPYRIGHT OF CONEC GmbH		tolerance			scale:	2:1 (5:1)
		dim. in mm			material:	
DO NOT ALTER CAD DRAWING BY HAND		date	name	title: <b>D-SUB FEMALE 90° HD</b> 26pos. SOLDER PIN ANGLED with closed 4-40 UNC thread, metal bracket, fixing-plate, snap		
		drawn 12.01.2016	Heinrich			
2 x b		appd.	13.01.2016	Fischer	dwg no: <b>15K1A1687</b>	
		norm				
a		d-old			part no: <b>15-00762</b> (see note 8)	
		rev.	description	date		
				DIN-A3		
				sh: 1		

# P.C.B. HOLE DRILLINGS

(P.C.B. TOP SIDE)



# RECOMMENDED PANEL CUT-OUT



THIS DRAWING MAY NOT BE COPIED OR REPRODUCED IN ANY WAY, AND MAY NOT BE PASSED ON TO A THIRD PARTY WITHOUT WRITTEN PERMISSION. OWNERSHIP AND COPYRIGHT OF CONEC GmbH DO NOT ALTER CAD DRAWING BY HAND			tolerance		 dim. in mm	scale: 5:1		
						material: SEE SHEET 1		
			date	name		title: <b>P.C.B. HOLE DRILLINGS</b> RECOMMENDED PANEL CUT-OUT D-SUB FEMALE HD 26pos. SOLDER PIN STRAIGHT		
			drawn	12.01.2016	Heinrich			
			appd.	13.01.2016	Fischer			
		norm			dwg no:			
		d-old			15K1A1687			
	a	Original			DIN-A3			
rev.	description	date	name			sh: 2		
						part no: SEE SHEET 1		