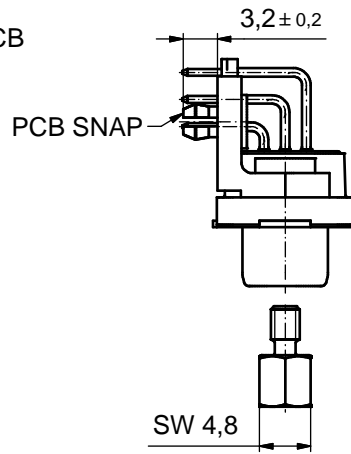
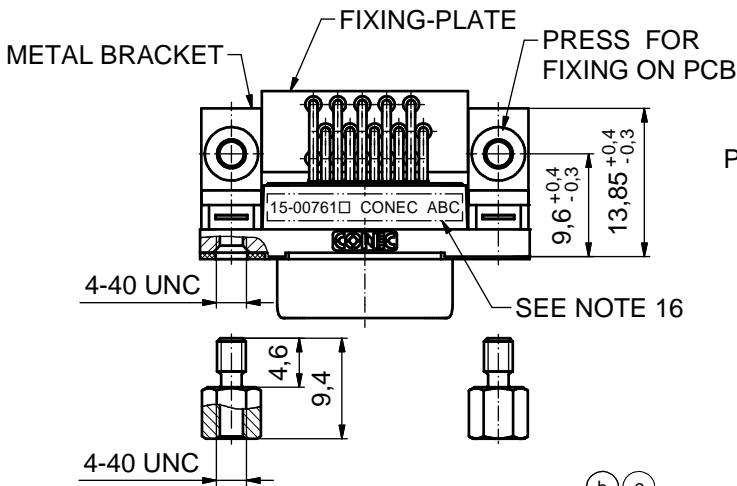
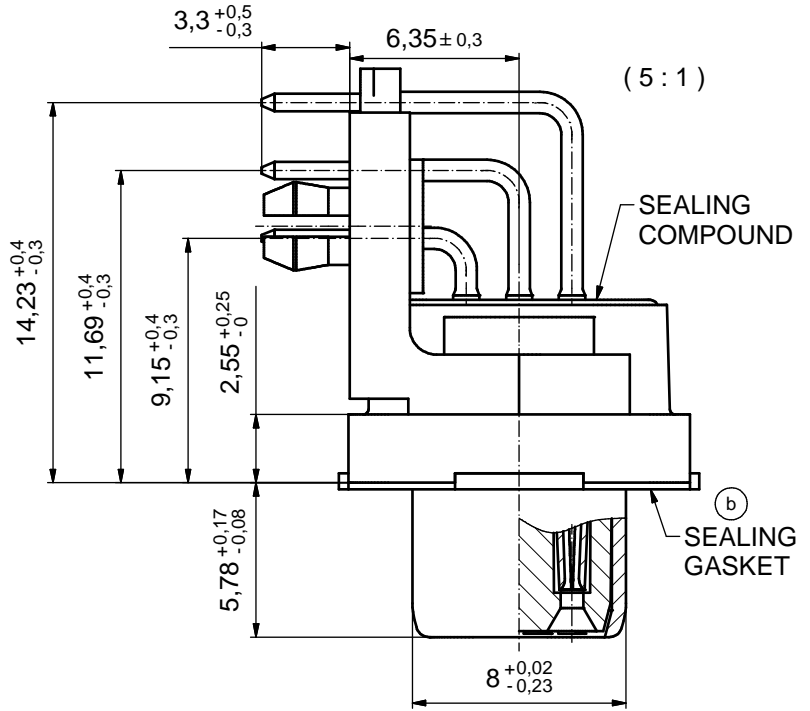
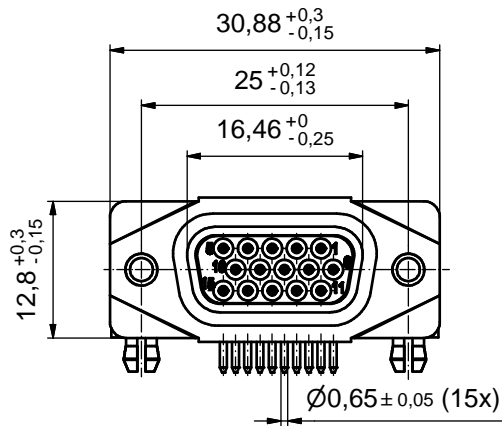


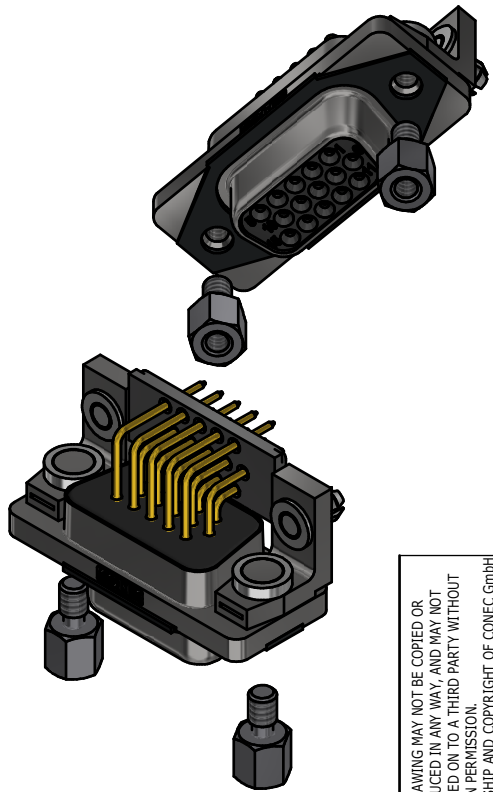
AT ALL TIMES WATER RESISTANT CONNECTORS NOT IN USE SHOULD BE COVERED WITH A CONEC WATER RESISTANT CAP OR WATER TIGHT HOOD.



(b) (c)

NOTES:

1. FOR WAVESOLDERING (SOLDER BATH TEMPERATURE 265°C FOR 8 SEC. AND SOLDER PREHEAT 150°C FOR 180 SEC.)
2. IP RATING: IP 67
3. SEALED TO WITHSTAND PRESSURE UP TO 1,45 PSI FOR 30 MINUTES AFTER HIGH TEMPERATURE EXPOSURE
4. METAL SHELL: ZINC DIE CAST; min. 50µin NICKEL PLATING over COPPER
5. INSULATORS: PBT GF UL 94 V-0
6. SEALING GASKET: SILICONE
7. SEALING COMPOUND: EPOXY
8. CONTACTS: COPPER ALLOY PLATING (SEE PART NO.):
 PLEASE ADD 1 for 30µin HARD GOLD over min. 50µin NICKEL
 PLEASE ADD 3 for GOLD FLASH over NICKEL
9. METAL BRACKETS: ZINC DIE CAST; 300µin COPPER/40-120µin NICKEL/120-200µin TIN
10. WASHERS: COPPER ALLOY; 80µin NICKEL
11. HEXLOCKING SCREWS: STAINLESS STEEL
12. PCB-SNAPS: COPPER ALLOY; min. 200µin TIN over 80µin NICKEL
PCB-HOLE: $\varnothing 3,1 \pm 0,1$ mm; PCB THICKNESS 1,6mm
13. FIXING-PLATE: PBT GF UL 94 V-0; BLACK
14. P.C.B. HOLE DRILLINGS and RECOMMENDED PANEL CUT-OUT ON SHEET 2
15. RECOMMENDED TORQUE FOR MOUNTING SCREW 35Ncm (3.1 in.LB) / max. 67Ncm (6 in.LB)
16. CONNECTOR IS PART MARKED: [15-00761] [CONEC ABC] (see note 8)
17. DIELECTRIC WITHSTANDING VOLTAGE: 1000 V, 50 Hz 1 min.

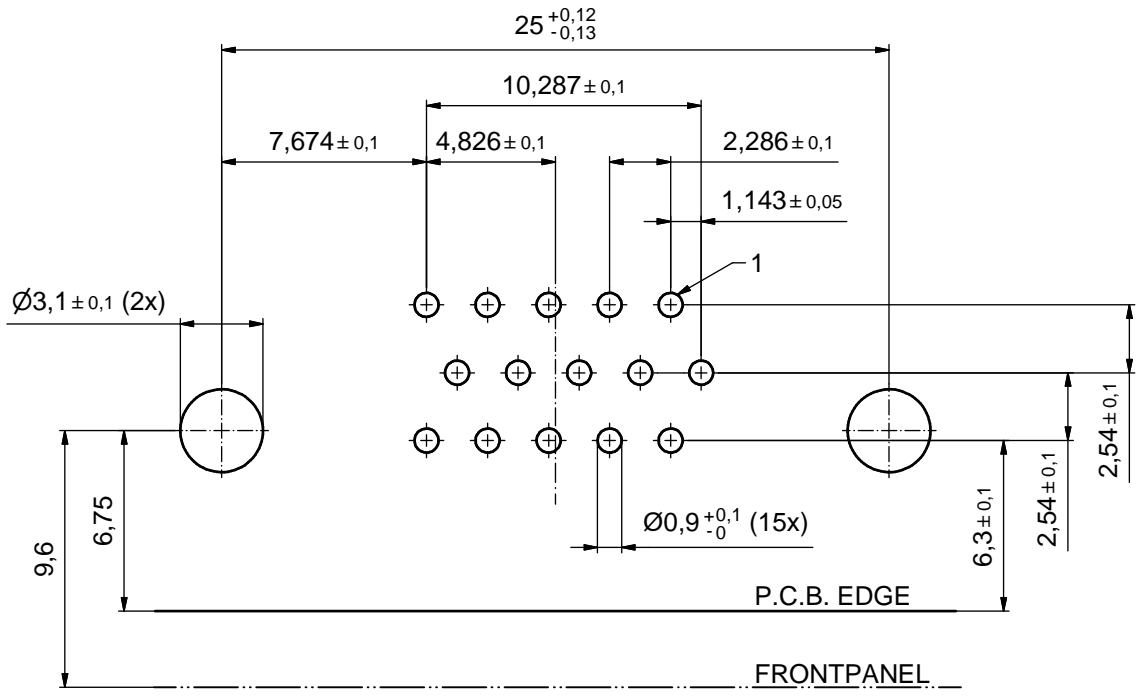


RoHS compliant

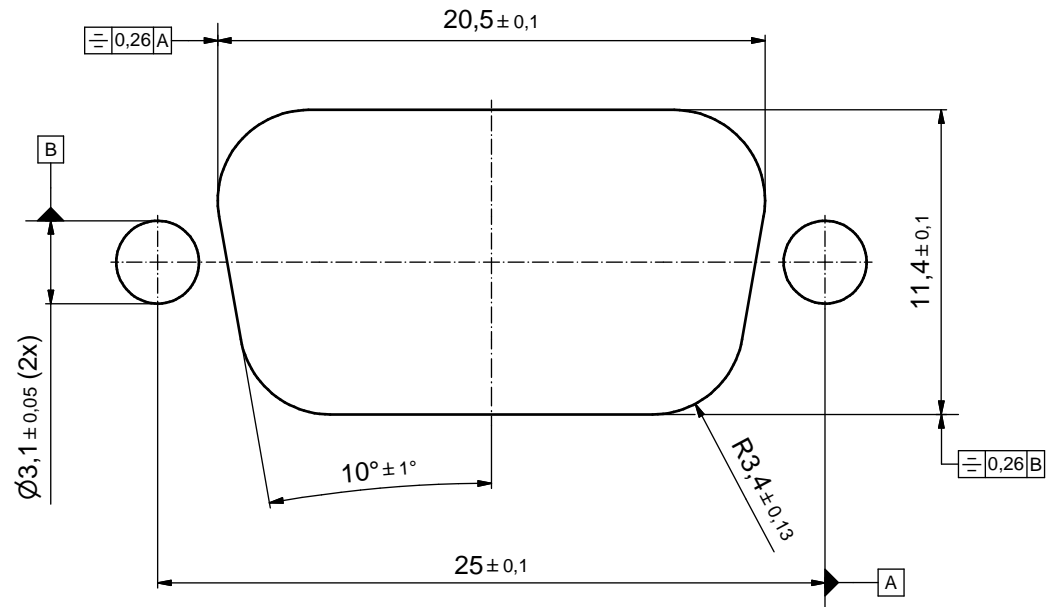
THIS DRAWING MAY NOT BE COPIED OR REPRODUCED IN ANY WAY, AND MAY NOT BE PASSED ON TO A THIRD PARTY WITHOUT WRITTEN PERMISSION. OWNERSHIP AND COPYRIGHT OF CONEC GmbH DO NOT ALTER CAD DRAWING BY HAND	tolerance		dim. in mm		scale: 2:1 (5:1)	
					material: SEE NOTES	
	date		name		title:	
	drawn 12.01.2016 Heinrich		appd. 13.01.2016 Fischer		D-SUB FEMALE 90° HD	
norm				with closed 4-40 UNC thread, metal bracket, fixing-plate and snap		
1 x c	Ä19-0402	04.11.2019	HKÖ	d-old	dwg no:	DIN-A3
2 x b	Ä6417	06.04.2017	Unkrüer		15K1A1686	sh: 1
a	Original					
rev.	description	date	name	CONEC		part no: 15-00761 [] (see note 8)

P.C.B. HOLE DRILLINGS

(P.C.B. TOP SIDE)



RECOMMENDED PANEL CUT-OUT



THIS DRAWING MAY NOT BE COPIED OR REPRODUCED IN ANY WAY, AND MAY NOT BE PASSED ON TO A THIRD PARTY WITHOUT WRITTEN PERMISSION. OWNERSHIP AND COPYRIGHT OF CONEC GmbH DO NOT ALTER CAD DRAWING BY HAND					tolerance		scale: 4:1
					date	name	material: SEE SHEET 1
					drawn	12.01.2016	Heinrich
					appd.	13.01.2016	Fischer
					norm		
1 x c	Ä19-0402	04.11.2019	HKÖ	d-old	title: P.C.B. HOLE DRILLINGS		
2 x b	Ä6417	06.04.2017	Unkrüer	RECOMMENDED PANEL CUT-OUT			
a	Original			D-SUB FEMALE HD 90° 15pos. SOLDER PIN STRAIGHT			
rev.	description	date	name				dwg no: 15K1A1686
							part no: SEE SHEET 1
							DIN-A3
							sh: 2