

Technical specification:

Rated voltage: 50 V AC / 60 V DC
IEC 61076-2-104

Current rating: 4 A at 40°C
IEC 61076-2-104

Insulation resistance: >=100 MΩ
IEC 60512

Pollution degree: 3/2
IEC 60664-1

Degree of protection: IP 67, in mated condition
IEC 60529

Temperature range: -25°C ... +95°C
EN 60512-11-10
-40°C ... +85°C
EN 60512-11-4

Mating cycles: >=100
IEC 60512-9a

Materials:

Contact: CuZn, Ni b / Au 0,2 gal.

Contact carrier: LCP GF, UL 94 V-0

Sealing: FPM, NBR

Socket housing: CuZn, Ni

Suitable for reflow soldering
max. 60s / 250°C

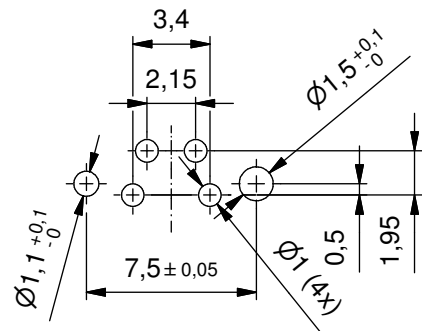
Installation specification:

Recommended torque: 1-1,2 Nm

Conec installation tool: Torque wrench: 36-000200
Insert across flats 13: 36-000220

Installation hole: See fig.1 42K1A1119

Layout proposal



Part no. packing unit Tape & Reel:	Part no. packing unit in bulk:	Description:	Pos
42-01309TR	42-01309	SAL - 8 - FK4 - X9 / THR	4

DO NOT ALTER CAD DRAWING BY HAND RoHS & REACH compliant	Index: a 08.04.16 KH Ä6018 Marking in mating face removed, contact carrier: material information extended, counter nut removed	dim. in mm	title: Female socket M8x1 THR, frontmounting		
			date	name	dwg no: 42K1A835
		drawn	12.05.15	Böckeler	
		appd.	12.05.15	Schramm	
general tolerance:	0 ± 0,50mm 0,0 ± 0,25mm 0,00 ± 0,10mm + ± 5°	CONEC ®			
THIS DRAWING MAY NOT BE COPIED OR REPRODUCED IN ANY WAY, AND MAY NOT BE PASSED ON TO A THIRD PARTY WITHOUT WRITTEN PERMISSION. OWNERSHIP AND COPYRIGHT OF CONEC GmbH					