



Elektrotechnik Karl-Heinz Mauz GmbH

VM-0702A3.0 (Artikel-Nr. 860217)

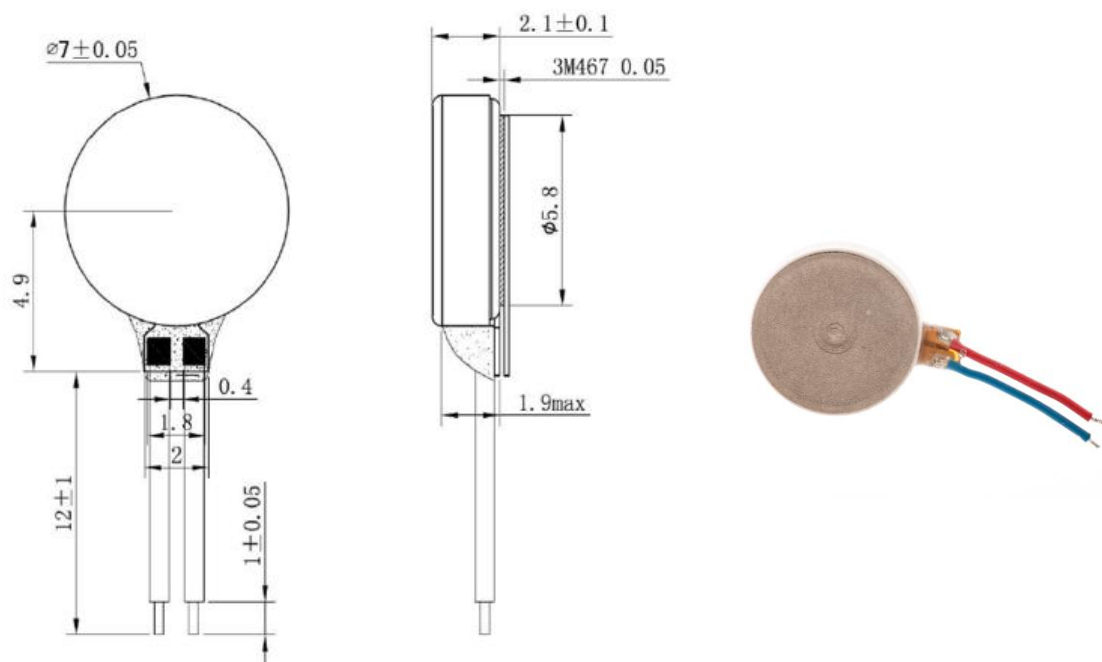
EKULIT

SPECIFICATIONS:

TYPE	UNIT	VM-0702A3.0
Rated voltage	V _{DC}	3.0
Operating range voltage	V _{DC}	2.7~3.3
Rotation	-	CW&CCW
Rated Current	mA	<80
Rated speed	rpm	10.000±3.000
Starting voltage	V _{DC}	2.5
Insulation resistance	MΩ	10
Terminal resistance	Ω	43Ω±15%
Operating temperature	°C	-20~+60

DIMENSIONS :

(Unit: mm)



Adresse: **Felix-Wankel-Str. 35 • 73760 Ostfildern/Nellingen**

Tel: **+49-711/3414023**

Fax: **+49-711/3414024**

E-mail: **info@ekulit.de** Web site: **www.EKULIT.de**