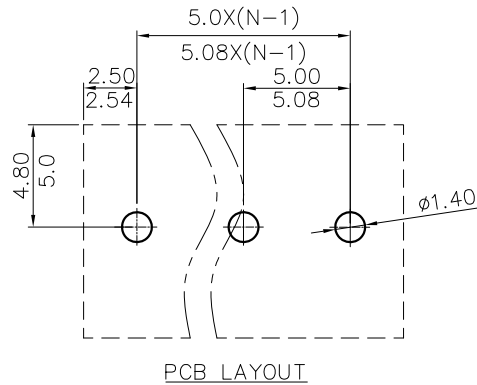
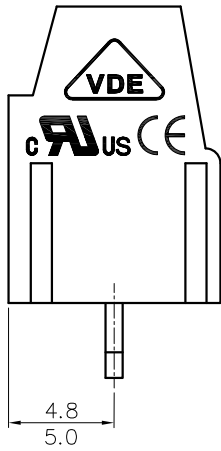
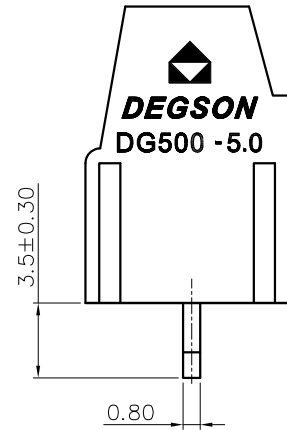
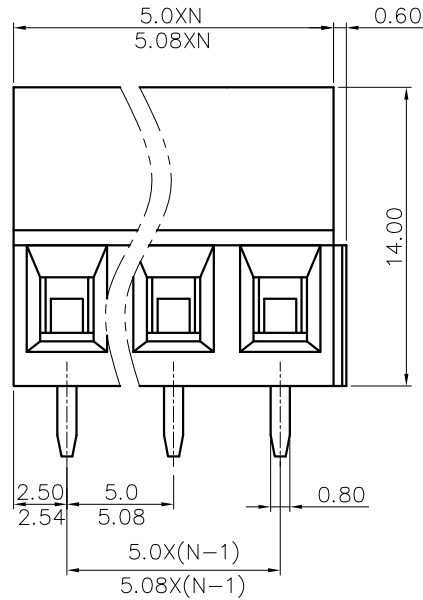
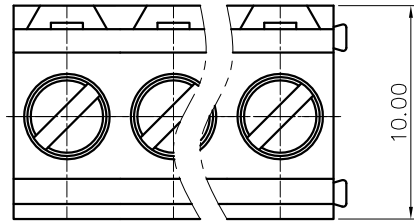


REVISION RECORD

REV	ECN	DESCRIPTION	DRFT	DATE
-----	-----	-------------	------	------



NOTES1:

- UL Standard
- 1.Rated Voltage/Current : 300V / 20A
- 2.Torque Value : M2.5 , 4.08Lb.in
- 3.Wire Range : 24~12AWG

IEC Standard

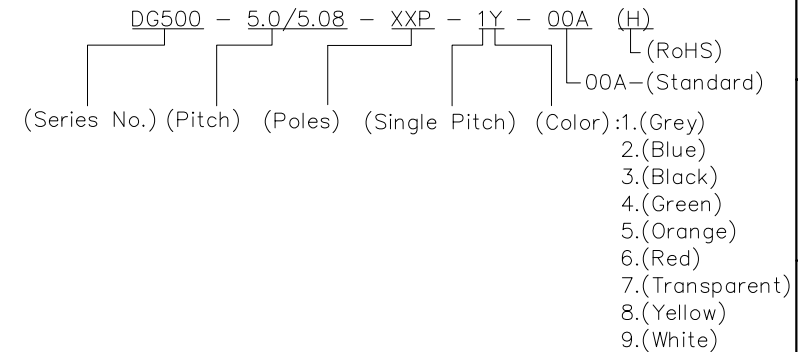
- 1.Rated Voltage/Current : 250V / 18A
- 2.Torque Value : M2.5 , 0.4N.m
- 3.Wire Range : 2.5mm²

NOTES2:

- 1.Dimension shall be interpreted per ASME Y14.5-2009
- 2.Pitch : 5.0/5.08mm, Poles : N=02~XXP
- 3.Stripping length : 6~7mm
- 4.Withstanding Voltage : AC2000V/1Min.
- 5.Operating temperature: -40°C~+105°C
- 6.Undimensioned Tolerances:

Pitch range in mm			Nominal dimension range in mm					
TO	Over TO	Over TO	TO	Over TO	Over TO	Over TO	0.1/10	∇
6	10	24	30	60	100	150	<	
±0.15	±0.20	±0.30	±0.30	±0.50	±0.70	±1.00	±1.30	±2°

7.RoHS Compliance



DETACHED LISTS	PART NO.:	/			宁波高松电子有限公司 NINGBO DEGSON ELECTRICAL CO., LTD	
	APPD:	/	NAME:		DG500-5.0/5.08-XXP-1Y-00A(H)	
	CHKD:	/	TITLE:		CUSTOMER DRAWING	REV
	DRFT:	/	DRAWING NO.:		/	SHEET
THIRD ANGLE PROJECTION		DO NOT SCALE DRAWING		SCALE	1:1	