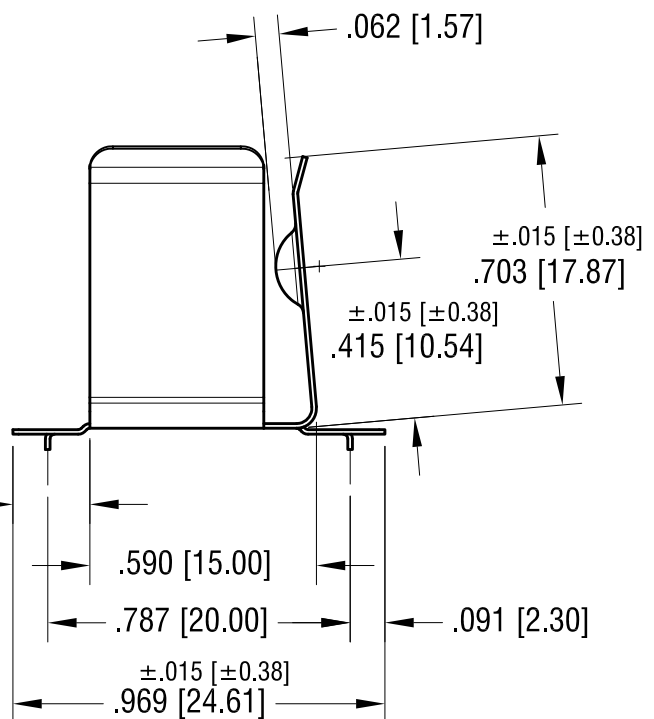
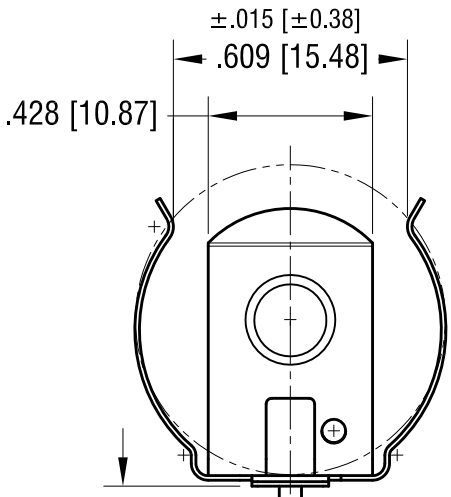
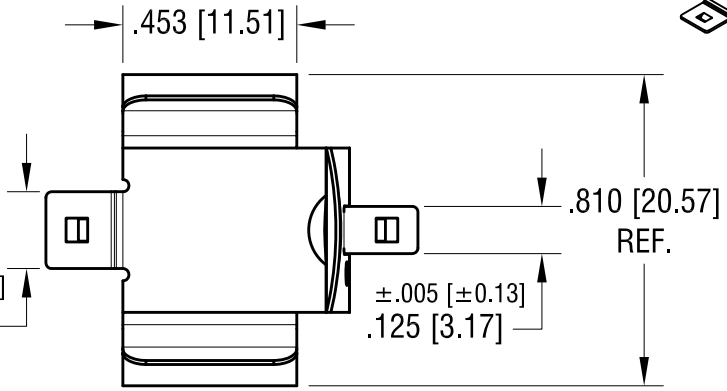
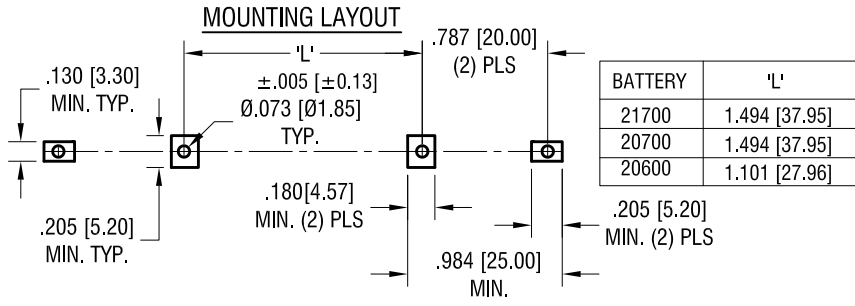
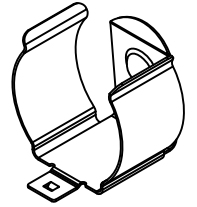


THIS DOCUMENT IS THE PROPERTY OF KEYSTONE ELECTRONICS CORP. AND SHALL NOT BE REPRODUCED, DISTRIBUTED OR USED AS A BASIS FOR MANUFACTURE WITHOUT PRIOR WRITTEN PERMISSION FROM KEYSTONE ELECTRONICS CORP.

**ACTUAL SIZE**



NOTE:  
 1. HEAT TREAT TO SPRING TEMPER

**KEYSTONE ELECTRONICS CORP.**

www.keyelco.com • NEW HYDE PARK, NY 11040 • Tel (516) 328-7500

PART NAME  
 20mm - 21mm SM BATTERY CLIP

MATERIAL  
 .012 [0.30] TH'K ANNEALED SPRING STEEL

FINISH <b>TIN NICKEL PLATE</b>	DRN BY NT	DATE 10.11.17
	APP'D LN	SCALE 2X

TOLERANCES	INCH	[MM]	CODE	DRW NO.
DECIMAL	$\pm .010$	[ $\pm 0.25$ ]	C	246
ANGULAR	$\pm 2^\circ$			
UNLESS OTHERWISE SPECIFIED				

DATE	DESCRIPTION	REV.