



Elektrotechnik Karl-Heinz Mauz GmbH

EMS-12L (Artikel-Nr. 197050L)

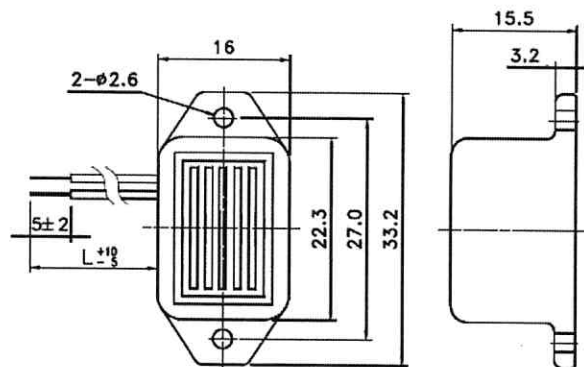
EKULIT

SPECIFICATIONS:

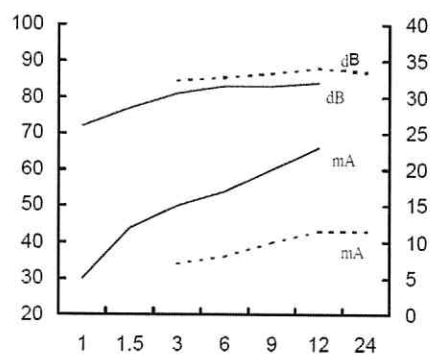
TYPE	UNIT	EMS-24L
Min. Sound Output at 20cm	dB	80
Rated Voltage	V _{DC}	12
Operating Voltage	V _{DC}	6~16
Resonant Frequency	Hz	400±100
Max. Current Consumption	mA	25
Tone nature		Continuous
Operating Temperature	°C	-20~+70
Storage Temperature	°C	-30~+70
Weight	g	8.5
Leadwire	mm	165

DIMENSIONS :

(Unit: mm)



FREQUENCY RESPONSE:



Adresse: Felix-Wankel-Str. 35 • 73760 Ostfildern/Nellingen

Tel: +49-711/3414023

Fax: +49-711/3414024

E-mail: info@ekulit.de

Web site: www.EKULIT.de