

Elektrotechnik Karl-Heinz Mauz GmbH

RMP-24W (Artikel-Nr. 180090)

EKULIT

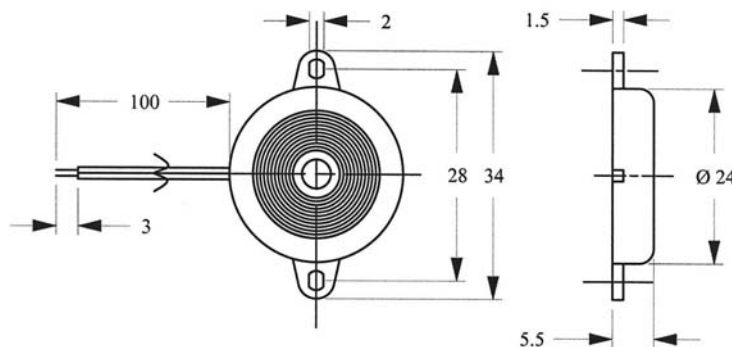
SPECIFICATIONS:

TYPE	UNIT	RMP-24W
• Min. Sound Output at 10cm	dB	85
Rated Voltage	V _{p-p}	12
Operating Voltage	V _{p-p}	1~30
Resonant Frequency	Hz	4.000±500
• Max. Current Consumption	mA	2
Capacitance at 1kHz	pF	24.000±30%
Operating Temperature	°C	-20~+60
Storage Temperature	°C	-30~+70

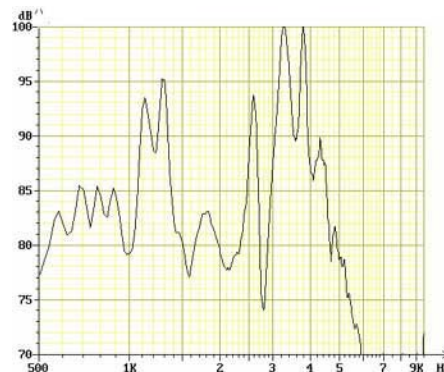
• Value applying at rated voltage

DIMENSIONS :

(Unit: mm)



Frequency response :



Adresse: **Felix-Wankel-Str. 35 • 73760 Ostfildern/Nellingen**

Tel: **+49-711/3414023**

Fax: **+49-711/3414024**

E-mail: **info@ekulit.de** Web site: **www.EKULIT.de**