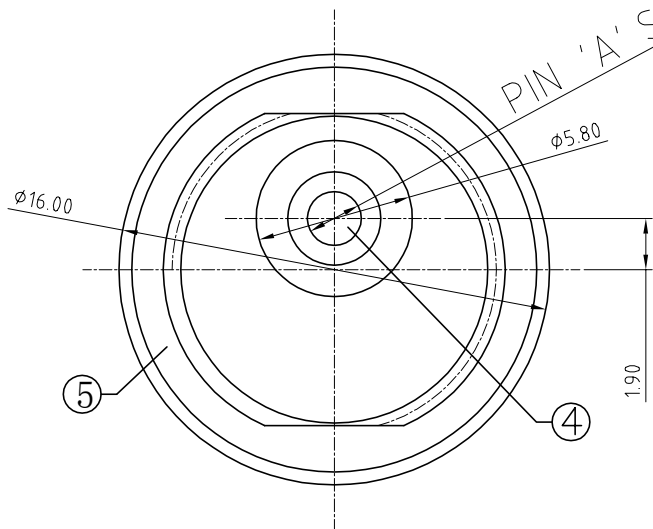
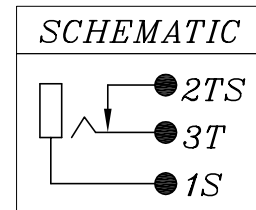
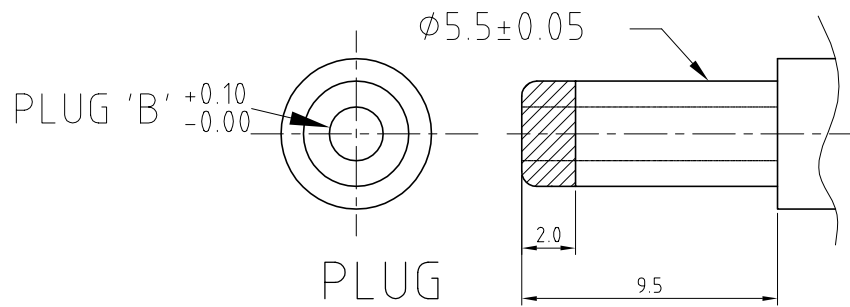
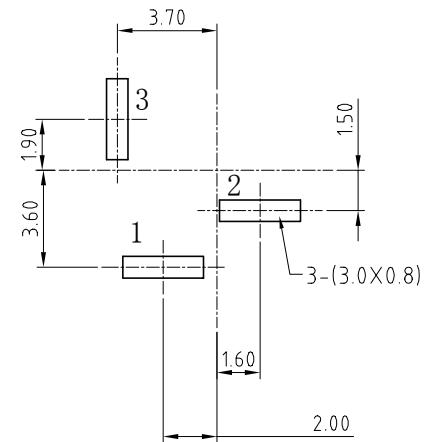
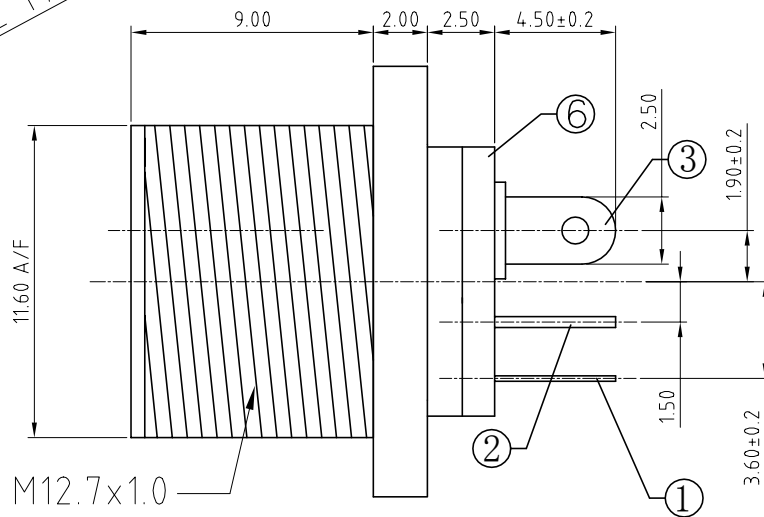


ISS.	AMEND	DATE
1	1st DRAWN	07/05/13
2	A/F DIM ADD	27/11/13



PIN 'A' SEE TABLE +0/-0.10



P.C.B LAYOUT(±0.1)
(TOP VIEW)

6	COVER	1	PBT	BLACK
5	HOUSING	1	PBT	BLACK
4	PIN	1	BRASS	NICKEL PLATE
3	CONTACT	1	BRASS	TIN PLATE
2	CONTACT	1	BRASS	TIN PLATE
1	SPRING	1	SUS	TIN PLATE
No.	DESCRIPTION	QTY	MATERIAL	PLATING & COLOR

PART No	PIN A Ø	PLUG B Ø
FC681473	Ø2.10	Ø2.05
FC681474	Ø2.50	Ø2.55

SUPPLIED WITH NUT

RoHS
COMPLIANT

TOLERANCE
NO DEC. PLACE ± 0.50
1 DEC. PLACE ± 0.30
2 DEC. PLACE ± 0.15
HOLE Ø ±
ANGLES ± 3°
UNLESS OTHERWISE STATED