

# UPSI-1208DP2

12 VDC / 7 A

- ✓ 12V DC UPS (DIN rail version)
- ✓ Maintenance-free supercap technology
- ✓ Cycle Life > 500 000
- ✓ Intelligent power sharing
- ✓ Regulated output voltage
- ✓ Min. load disconnect
- ✓ Power fail timer
- ✓ Reboot function
- ✓ Fuel gauge



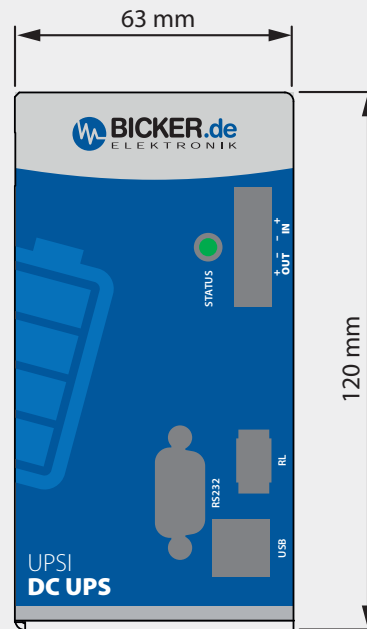
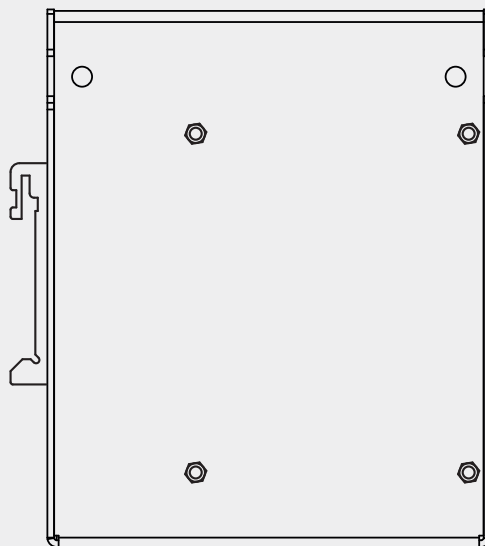
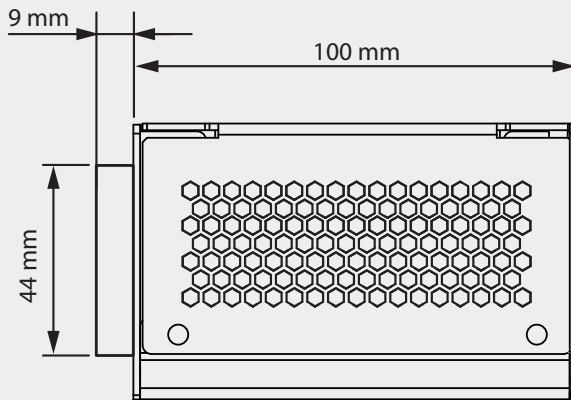
| Technical data                             |  |
|--|--|
| Input voltage                              | 12 VDC (11.5...16 V)   |
| Input current                              | 8.8 A max.   |
| Output voltage                             | Normal mode: $V_{in} - 0.3 V$ (Full load)<br>Backup: 12 VDC  |
| Output current                             | 7 A continuous   |
| Supercaps charge current nom.              | Depending on load max. 10 A on Supercaps   |
| Charging method                            | CC/CV/CP   |
| Protection                                 | Overcurrent protection<br>Reverse polarity protection  |
| Interface                                  | USB, RS232, USB-HID  |
| Type of energy storage                     | Supercaps 9V max.  |
| Life cycles                                | > 500 000  |
| Safety / EMC                               | CE, Class B (EN55032)  |
| Temperature                                | Operating discharge: -20...+65 °C<br>Operating charge: -20...+65 °C<br>Storage: -20...+65 °C, recommended 0...+40 °C |
| Max. operation altitude                    | 5000 m   |
| Derating (depending on operation altitude) | 2000 m operation altitude or higher:<br>5.7W / 500 m or reduction of operation temperature of 3.5 °C / 500 m         |
| Humidity                                   | Operating: 10...85 % RH, non-condensing / Storage: 10...90 % RH, non-condensing                                      |
| Dimensions (WxDxH)                         | 63 x 100 x 120 mm ±0.5 mm  |
| Weight (net)                               | 0.62 kg  |

| Product specific data |   |
|-----------------------|---|
| Shutdown detection    | Via load sensor   |
| Reboot function       | Reboot function and time can be configured by software  |
| Load sensor           | Configurable via UPSI HID-Battery-Parameter software (download at <a href="http://www.bicker.de">www.bicker.de</a> )<br>UPS shuts down after 15 sec, if connected load decreases below set value and UPS is being in battery mode |
| Timer function        | Configurable via UPSI HID-Battery-Parameter software in steps of single seconds (3600 sec max)  |
| Relay                 | Dry contact on power fail (Normal mode: open / Backup mode: closed)<br>Relay switching current max 0.5 A@ 125 VAC / 1 A@ 24 VDC   |

*Backup time depends on Supercap capacitance, load and temperature.  
At very high or low temperatures a reduction of backup time occurs.*

Drawing UPSI-1208DP2

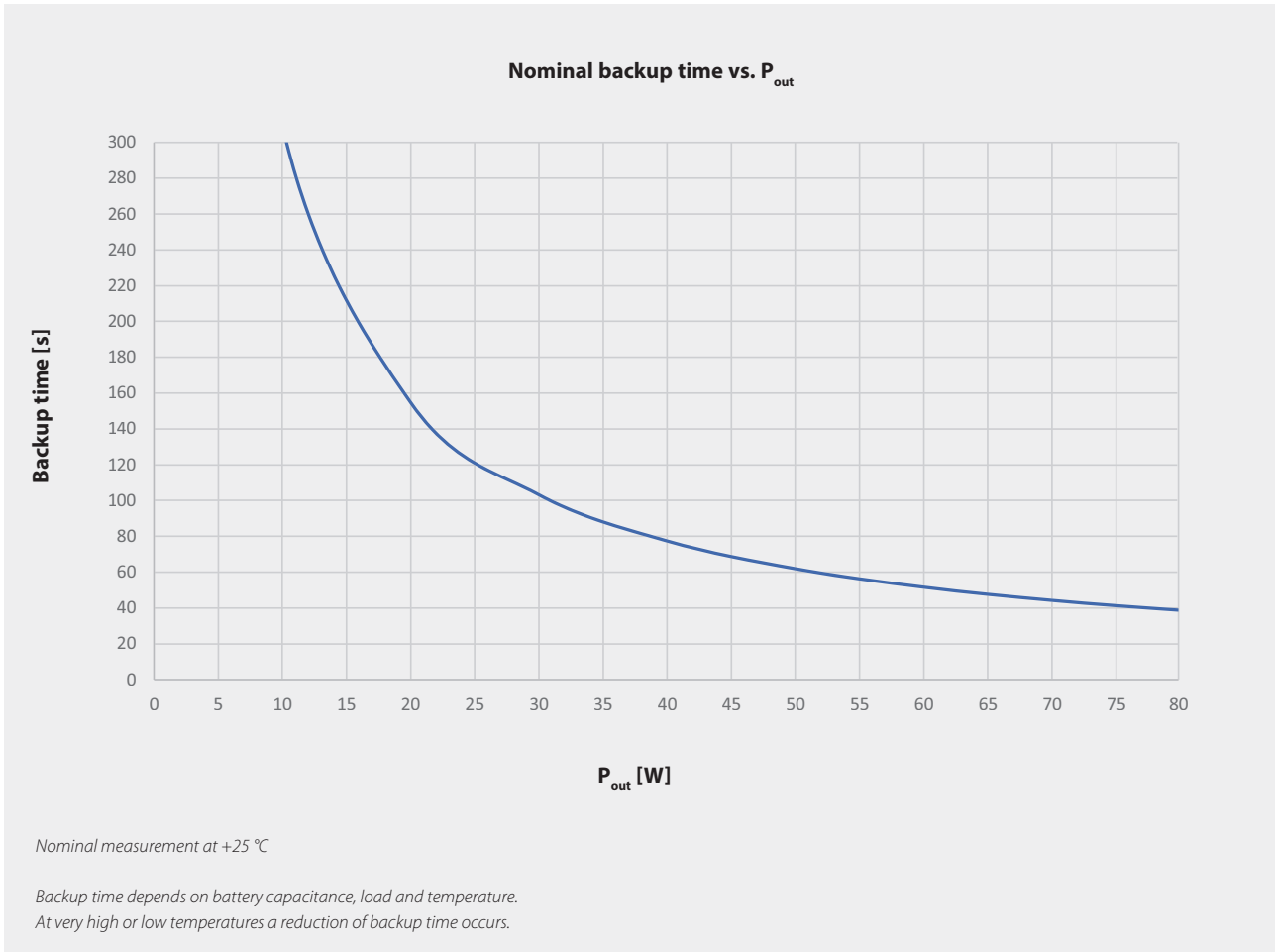
Tolerance  $\pm 0.5$  mm



| ● Status LED                      | Description  |
|-----------------------------------|--|
| <b>1 x flash, pause 1.5s</b>      | Status: Battery start  |
| <b>2 x flash, pause 1.5s</b>      | Status: Capacity for start is required, state charging   |
| <b>3 x flash, pause 1.5s</b>      | Status shutdown: Waiting for shutdown completion   |
| <b>4 x flash, pause 1.5s</b>      | Status reboot: Output is switched off and time runs until restart (Reboot)   |
| <b>5 x flash, pause 1.5s</b>      | Status: No battery recognized  |
| <b>1 Hz flash &gt; power fail</b> | Status: Backup mode  |
| <b>Always on</b>                  | Status: System OK  |
| <b>Quick flashing</b>             | Critical Error<br>Status: Output voltage too low > UPS will be shut down<br>Status: Overcurrent detected > UPS output disabled |

DC UPS

## Backup time UPSI-1208DP2



## Safety information



Please consider to each country's own regulation about recycling and disposal of used batteries etc. in hazardous waste or resending to any recycling organization. The battery pack should not be exposed to fire, immersed under water, soldered, opened, short-circuited, reversed or overheated. During storage the battery pack should not be exposed to temperatures outside the specification and should not be pushed too heavy and not exposed to high pressure. Do not swallow any parts of the battery pack.

## Scope of delivery

| Quantity | Description                                |
|----------|--|
| 1x       | UPSI-1208DP2 - DC UPS                      |
| 1x       | $V_{in}$ / $V_{out}$ connector counterpart |
| 1x       | Relay connector counterpart                |