

# Elektrotechnik Karl-Heinz Mauz GmbH

**LSF-50M/N** (Artikel-Nr. 110047)

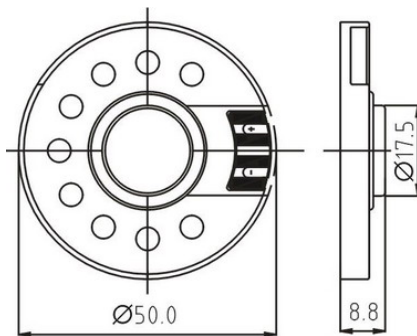
**EKULIT**

***SPECIFICATIONS:***

TYPE	UNIT	LSF-50M/N
Impedance	$\Omega$	$8 \pm 15\%$
Power (Nominal)	W	0.5
Power (Maximum)	W	1.0
Resonant Frequency	Hz	$360 \pm 20\%$
Sound Pressure Level	dB	$89 \pm 3$
Frequency Range	Hz	$f_0 \sim 8.000$
Operating Temperature	$^{\circ}\text{C}$	$-30 \sim +60$
Storage Temperature	$^{\circ}\text{C}$	$-35 \sim +70$

**DIMENSIONS :**

(Unit: mm)



**Frequency response:**

