



# Elektrotechnik Karl-Heinz Mauz GmbH

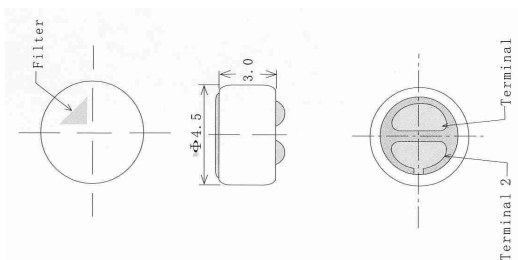
## EKULIT

**EMY-4530M** (Artikel-Nr. 200011)

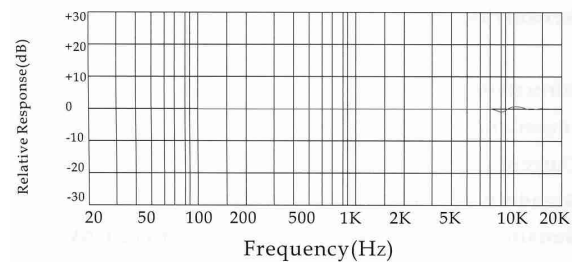
### SPECIFICATIONS:

TYPE	UNIT	EMY-4530M
Sensitivity (0dB=1V/Pa. 1kHz)	dB	-65±4
Directivity		Omnidirectional
Impedance		Low impedance
Current consumption	mA	Max. 0.5
Standard operating voltage	V	1.5-10 (2.0)
Sensitivity reduction		within -3dB at 1.5V
S/N ratio	dB	more than 60
Operating Temperature	°C	-10~+45
Storage Temperature	°C	-20~+60

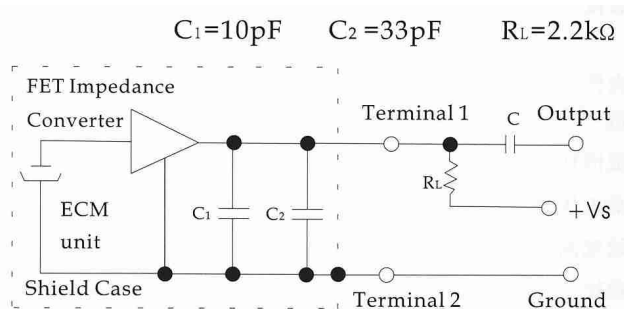
Dimensions :  
(Unit: mm)



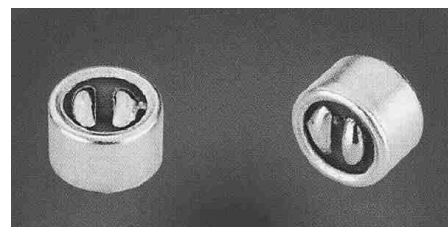
Typical Frequency response curve:



Schematic diagram :



Picture :



Adresse: Felix-Wankel-Str. 35 • 73760 Ostfildern/Nellingen

Tel: +49-711/3414023

Fax: +49-711/3414024

E-mail: [info@ekulit.de](mailto:info@ekulit.de) Web site: [www.EKULIT.de](http://www.EKULIT.de)