

Elektrotechnik Karl-Heinz Mauz GmbH

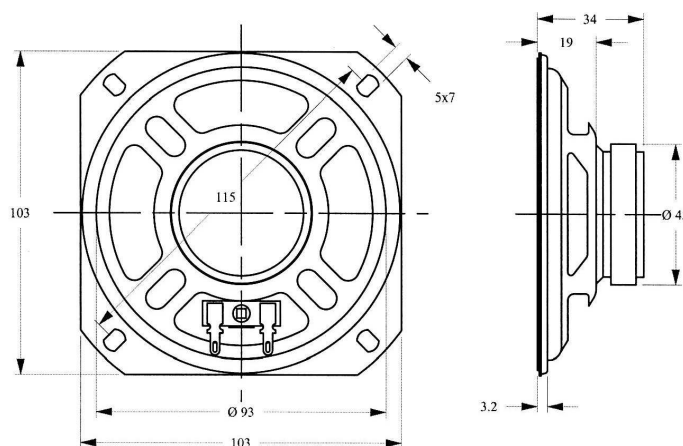
LSM-104F/SQ (Artikel-Nr. 130050)

EKULIT

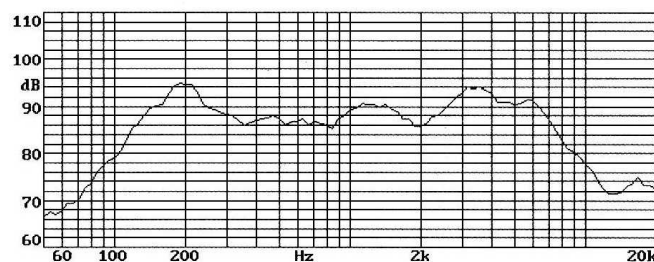
SPECIFICATIONS:

TYPE	UNIT	LSM-104F/SQ
Impedance	Ω	$8 \pm 15\%$
Power (Nominal)	W	3
Power (Maximum)	W	5
Resonant Frequency	Hz	$150 \pm 20\%$
Sound Pressure Level	dB	90 ± 3
Frequency Range	Hz	Fo~8.000
Operating Temperature	$^{\circ}\text{C}$	-20~+60
Storage Temperature	$^{\circ}\text{C}$	-30~+70

DIMENSIONS :
(Unit: mm)



Frequency response:



Adresse: **Felix-Wankel-Str. 35 • 73760 Ostfildern/Nellingen**

Tel: **+49-711/3414023**

Fax: **+49-711/3414024**

E-mail: **kmmauz@t-online.de**

Web site: **www.EKULIT.de**