



Elektrotechnik Karl-Heinz Mauz GmbH

LSM-20M/N (Artikel-Nr. 115010)

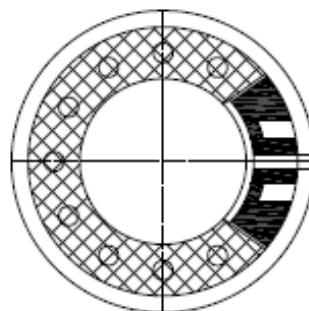
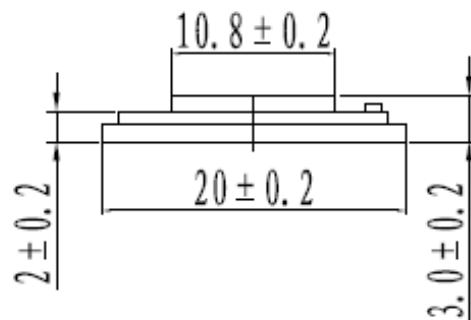
EKULIT

SPECIFICATIONS:

TYPE	UNIT	LSM-20M/N
Impedance	Ω	$8 \pm 15\%$
Power (Nominal)	W	0.3
Power (Maximum)	W	0.5
Resonant Frequency	Hz	$560 \pm 20\%$
Sound Pressure Level	dB	89 ± 3 (0.3W/0.1m)
Frequency Range	Hz	fo~6.000
Operating Temperature	$^{\circ}\text{C}$	-20~+60
Storage Temperature	$^{\circ}\text{C}$	-25~+70

DIMENSIONS :

(Unit: mm)



Adresse: **Felix-Wankel-Str. 35 • 73760 Ostfildern/Nellingen**

Tel: **+49-711/3414023**

Fax: **+49-711/3414024**

E-mail: **info@ekulit.de** Web site: **www.EKULIT.de**