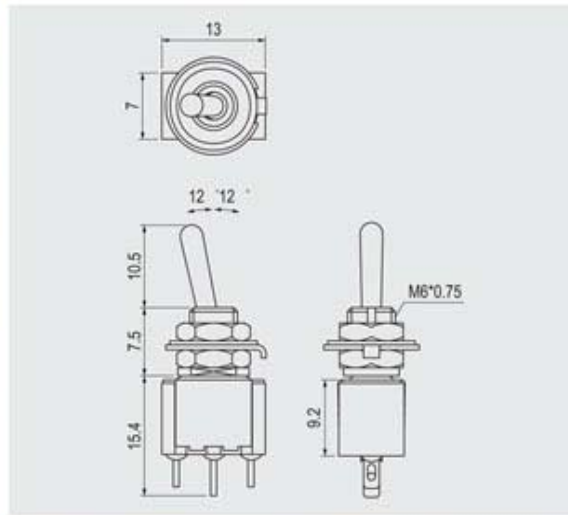


(55 SERIES) TA1



| |
|-----------------------------|
| Rating |
| 6A 125V AC 3A 250V AC |
| Contact resistant |
| 50mΩ Max |
| Insulation resistant |
| DC 500V 100MΩ Min |
| Dielectric strength |
| AC 1000V 1 minute |
| Cut out |
| |
| |

FEATURES

- * MATERIAL: Phenolic base (UL flame: 94V-0).
Contacts and Terminals are copper with silver alloy and silver plated.
- * Epoxy sealed for dust and moisture resistant.
- * Colorful handle covers and waterproof boot are optional for toggle type A.

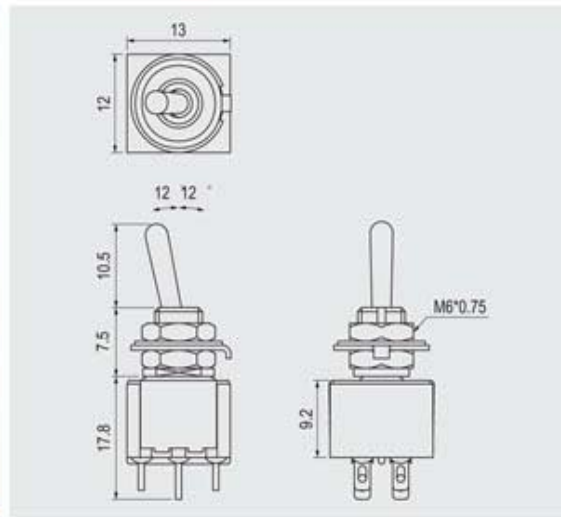


TA1

| FUNCTION | | LEVER | TERMINAL |
|--------------------------------------------|--------------------------------------------|---------------------------|---------------------------------------------------------------------------------|
| 0 1 OFF ON 2P SPST | 0 5 (ON) OFF (ON) 3P SPDT | A Standard | 1 SO 2 PC 3 PC Angle(2.54) 5 PC Angle(3.8) |
| 0 2 ON ON 3P SPDT | 0 6 (ON) ON 3P SPDT | F Flat | |
| 0 3 ON OFF ON 3P SPDT | | G Plastic | |
| 0 4 (ON) OFF (ON) 3P SPDT | | | |



(55 SERIES) TA2



| |
|-----------------------------|
| Rating |
| 6A 125V AC 3A 250V AC |
| Contact resistant |
| 50mΩ Max |
| Insulation resistant |
| DC 500V 100MΩ Min |
| Dielectric strength |
| AC 1000V 1 minute |
| Cut out |
| |
| |

FEATURES

- * MATERIAL: Phenolic base (UL flame: 94V-0).
Contacts and Terminals are copper with silver alloy and silver plated.
- * Epoxy sealed for dust and moisture resistant.
- * Colorful handle covers and waterproof boot are optional for toggle type A.



TA2

| FUNCTION | | LEVER | TERMINAL |
|-----------------------------------------|-----------------------------------|-----------------------|---------------------------------------------------------------------------------|
| 0 1 OFF 4P DPST ON | 0 5 (ON) OFF ON | A Standard | 1 SO 2 PC 3 PC Angle(2.54) 5 PC Angle(3.8) |
| 0 2 ON 6P DPDT ON | 0 6 (ON) 6P DPDT ON | F Flat | |
| 0 3 ON OFF ON 6P DPDT | | G Plastic | |
| 0 4 (ON) OFF (ON) 6P DPDT | | | |

