



# Elektrotechnik Karl-Heinz Mauz GmbH

**LSF-S1115A-IPX7** (Artikel-Nr. 106124)

**EKULIT**

<b>1. Product Outline</b>	
1-1. Scope	This specification is a typical speaker unit for telephone handset
1-2. Dimensions	As shown in figure 1
1-3. Net Weight	Approx 1.6 grams
1-4. Operating Temperature Range	-30°C to +70°C without loss of function
1-5. Storage Temperature Range	-40 °C to +85 °C (Note: Return to ambient room temperature before using)
<b>2. Electroacoustic Characteristics</b>	
2-1. Test Setup	Measuring instrument as shown in Figure 4
2-2. Impedance	AC: $8 \pm 15\%$ ohm ( at 2.5 KHz, 1V input )
2-3.Sound Pressure Level	92± 3 dB SPL /0.7W/10cm at 2 kHz in 1.0cc box Speaker shall be mounted in a baffle with minimum dimensions of 80cm x 100cm. See Figure 5.
2-4.Frequency Response	See Figure 7 Table 1 Test at 0.7W/10 cm with the speaker mounted in 1cc measure box in a baffle.
2-5.Bass Resonance Frequency	850±15% Hz in 1cc box
2-6. Input Power (Rated./Max.)	Rated Power: 0.7W (in 1.0cc box) Maximum Power: 1.0W (in 1cc box)
2-7.Rub and Buzz:	The input power shall be set at 0.7W. Using an audio oscillator, sweep from 500 to 6000 Hz with the speaker mounted in 1cc measure box and in a baffle. There shall be no buzzes, rattles, nor spurious noises.
2-8.THd	See Figure8, Table 2 Test at 0.7W/10 cm with the speaker mounted in 1cc measure box in a baffle.
2-9.Polarity	When a DC source's "+" polarity is attached to speaker's "+" polarity,"-" polarity is attached speaker's "-" polarity ,the membrane will move forward .

Adresse: **Felix-Wankel-Str. 35 • 73760 Ostfildern/Nellingen**

Tel: **+49-711/3414023**

Fax: **+49-711/3414024**

E-mail: **info@ekulit.de** Web site: [www.EKULIT.de](http://www.EKULIT.de)



# Elektrotechnik Karl-Heinz Mauz GmbH

LSF-S1115A-IPX7 (Artikel-Nr. 106124)

**EKULIT**

3. General Reliability	
3-1 General	After any following tests the response at 1 KHz shall not deviate more than $\pm 3$ dB from the initial value
3-1 Temperature Shock Test	<p>Temperature: <math>-40^{\circ}\pm 3^{\circ}\text{C}</math> <math>\longleftrightarrow</math> <math>+85^{\circ}\pm 3^{\circ}\text{C}</math> Cycle: 10 cycles            Duration: 1 hour 1 hour (recovery 2 hours)</p> <p>(30minutes) (5minutes) 1 cycle (5minutes)</p>
3-2 Static Humidity Test	Precondition at $+25^{\circ}\text{C}$ for 1 hour. Next expose samples to $+55^{\circ}\text{C}$ with 95% relative humidity for 96 hours with no bias. Finally allow test samples to dry at room ambient temperature for $3 \pm 1$ hour before taking final measurements.
3-3 Vibration Test	Secure device using a fixture appropriate for this test. Fixture shall be capable of mounting on vibration table. Vibrate from 10Hz to 2000Hz, 1 octave per minute, 2mm displacement $\pm x$ , $\pm y$ , $\pm z$ directions with 15 g's force for 2 hrs per each plane.
3-4 Drop Test	Drop samples 1.5 meters three times in each direction along each of the three mutually perpendicular axes for a total of 18 shocks. (Samples shall be mounted in a 100g fixture)
3-5 Operating Life Test	1cc box; $25^{\circ}\text{C}$ ; Pink noise; 20Hz-20kHz; 0.7W; Crest factor 3-4; 96 H
3-6. Rated Sweep Power Test	1cc box; $25^{\circ}\text{C}$ ; Rated Power(0.7W); 700-1100Hz; 0.7W; 1 sec; 12 H
3-7 Max Power Test	1cc box; $25^{\circ}\text{C}$ ; Pink noise; 20Hz-20kHz; 1.0W; 1 sec on/60 sec off; 60 cycles
3-8. High Temperature Test	$85 \pm 2^{\circ}\text{C}$ ; 96H; 2H Recovery time
3-9. Low Temperature Test	$-40 \pm 2^{\circ}\text{C}$ ; 96H; 2H Recovery time
3-10 Waterproof Requiremer	IPX-7 Test Condition: Depth of water; 1 Meters Time of duration; 30 Minutes
3-11 Air Leak Test Conditions	Air pressure 10KPa, Back side pressure 1.0Kg, Continuous time 7 Seconds, Less than 1 SCCM

Adresse: Felix-Wankel-Str. 35 • 73760 Ostfildern/Nellingen

Tel: +49-711/3414023

Fax: +49-711/3414024

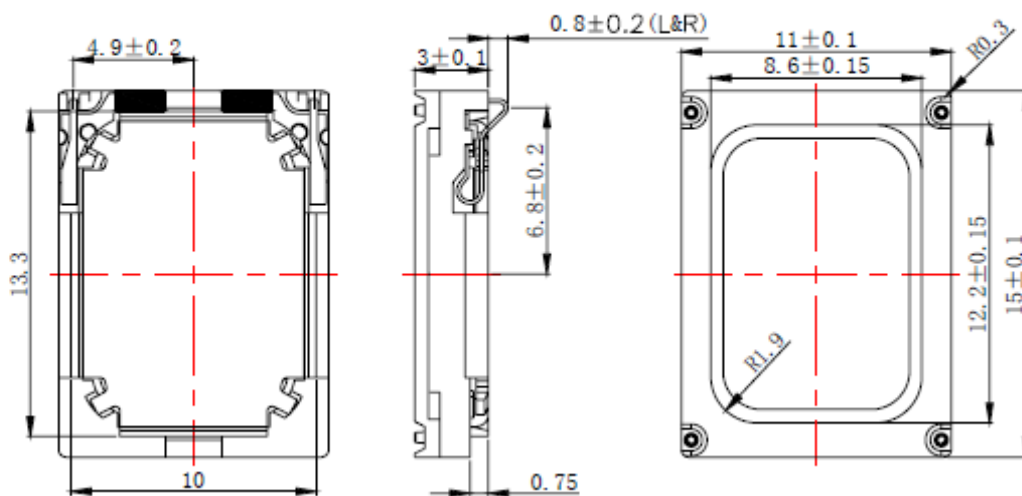
E-mail: [info@ekulit.de](mailto:info@ekulit.de) Web site: [www.EKULIT.de](http://www.EKULIT.de)

LSF-S1115A-IPX7 (Artikel-Nr. 106124)

**EKULIT**

## 4. Mechanical Layout and Dimensions

### 4.1 Mechanical Layout



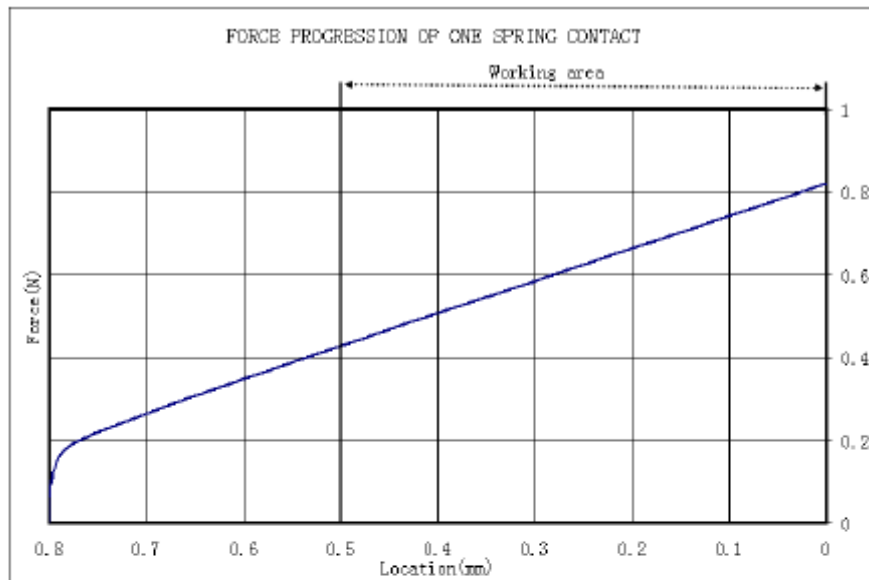
**Notes:**

1. General unless otherwise noted  $\pm 0.2\text{mm}$ .

(Figure 1)

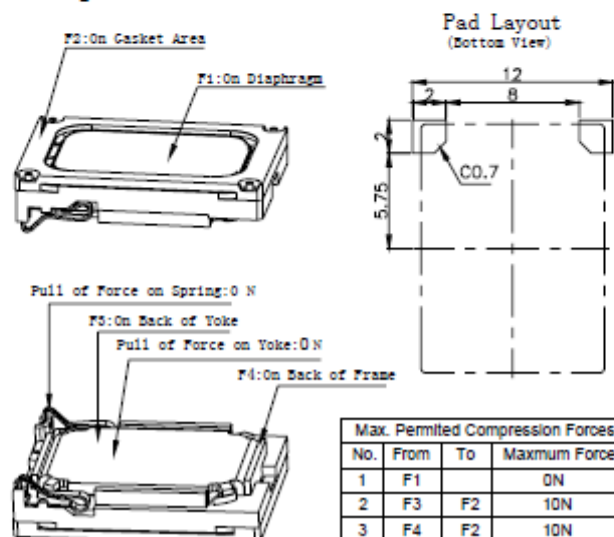
8	Spring	Stainless Steel	2	
7	Cover	Plastic	1	
6	Voice Coil	Copper	1	
5	Diaphragm	Polymer	1	
4	Pole Piece	Iron	1	
3	Magnet	NdFeB	1	
2	Yoke	Iron	1	
1	Frame	Plastic	1	
No.	Part Name	Material	Q'TY	Remark

### 4.2 Force Diagram



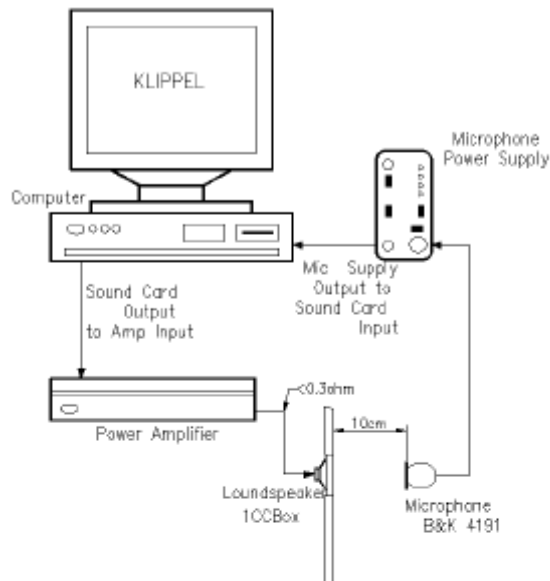
(Figure 2)

### 4.3 Permitted Force to Speaker



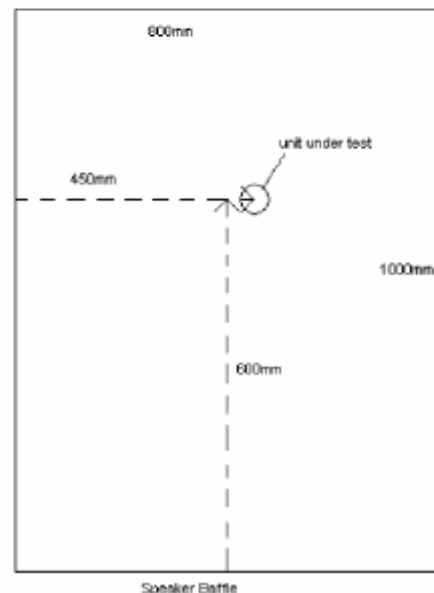
(Figure 3)

### 5. Measuring Setup



(Figure 4)

### Baffle



(Figure 5)

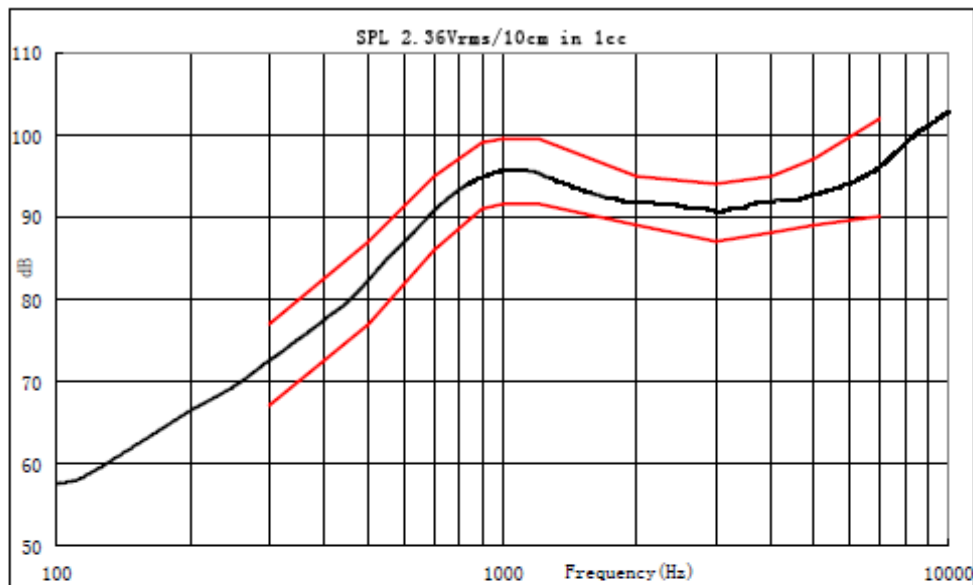


# Elektrotechnik Karl-Heinz Mauz GmbH

LSF-S1115A-IPX7 (Artikel-Nr. 106124)

**EKULIT**

## 6. Frequency Response

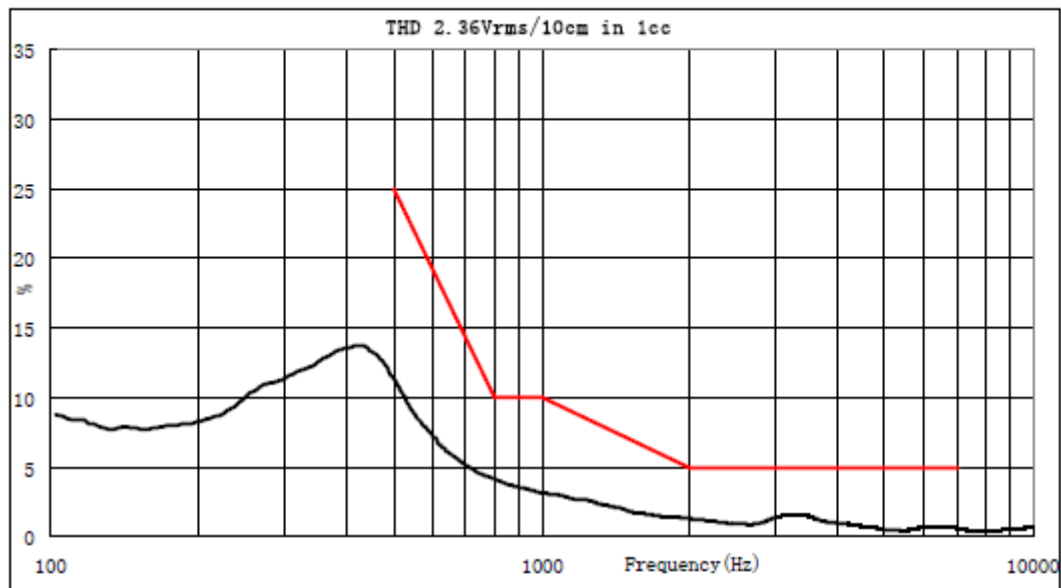


(Figure 7)

Table 1: Tolerance Limits Data for FR

Frequency(Hz)	Upper Limits(dB)	Frequency(Hz)	Lower Limits(dB)
300	77	300	67
500	87	500	77
700	98	700	86
900	99	900	91
1000	99.5	1000	91.5
1200	99.5	1200	91.5
2000	95	2000	89
3000	94	3000	87
4000	95	4000	88
5000	97	5000	89
7000	102	7000	90

## 7. Total Harmonic Distortion



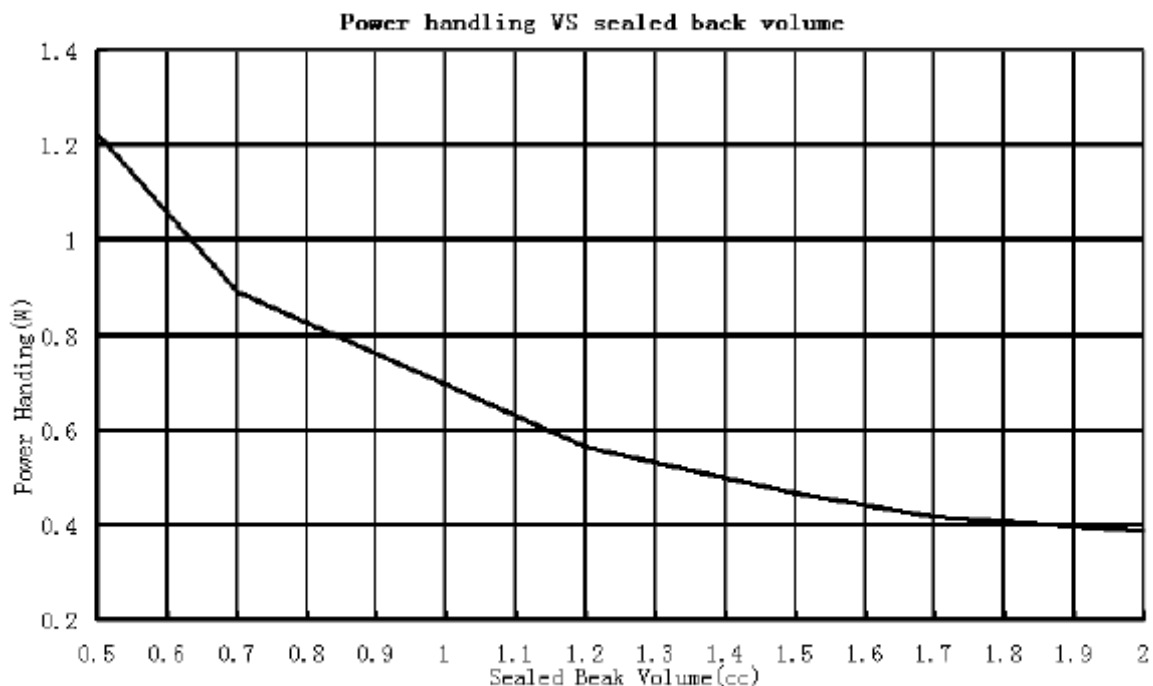
(Figure 8)

Table 2: Limits Date for THD

Frequency(Hz)	Limits
500	25
800	10
1000	10
2000	5
7000	5

### 8. Application Note

1. Air tight is needed between front cover of speaker and housing, otherwise cause audio performance's losing, such as higher THD, lower sensitivity;
2. Tiny air leakage in back of speaker is permitted to keep balance of air pressure;
3. For this speaker, the standard power is 0.7W in 1cc back cavity, when the back cavity is less or more than the standard volume of back cavity, the handling power also will be changed. See below figure about the relationship between power handling and back volume, here the power is excursion limited power, the thermal power should be evaluated, especially in small back cavity, such as 0.5cc. And the recommend minimum back volume is 0.5cc.
4. If the power higher than 0.7W input the speaker in standard back cavity, there is the risk of damaging speaker. in case of the back volume larger than 1cc, i.e. 1.5cc, the power handing of the speaker is pretty low. to maintain the rated power as 0.7W, we suggest adding thicker mesh with more acoustic resistance on the cover to reduce the vibration amplitude, or using electric filter to attenuate the maximum vibration amplitude.



(Figure 9)

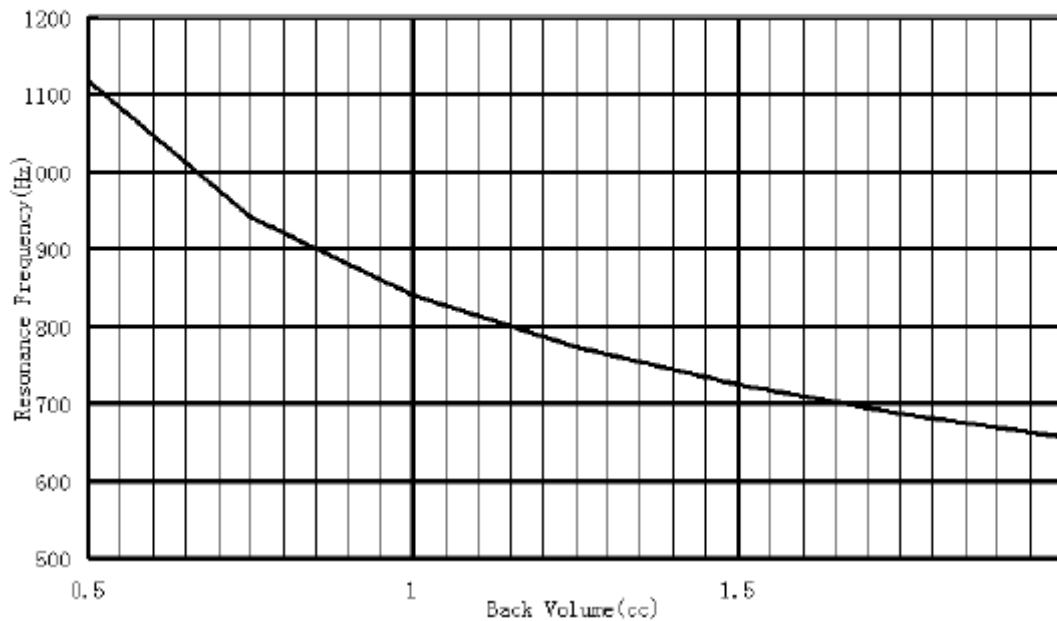


**LSF-S1115A-IPX7** (Artikel-Nr. 106124)

**EKULIT**

## 5. Resonance frequency VS sealed back volume

The resonance frequency of the speaker box will vary with different sealed back volume.



(Figure 10)

## 6. T/S parameters

Thiele-Small Parameters: The following Thiele-Small Parameters are guidelines from a speaker exhibiting good audio performance.

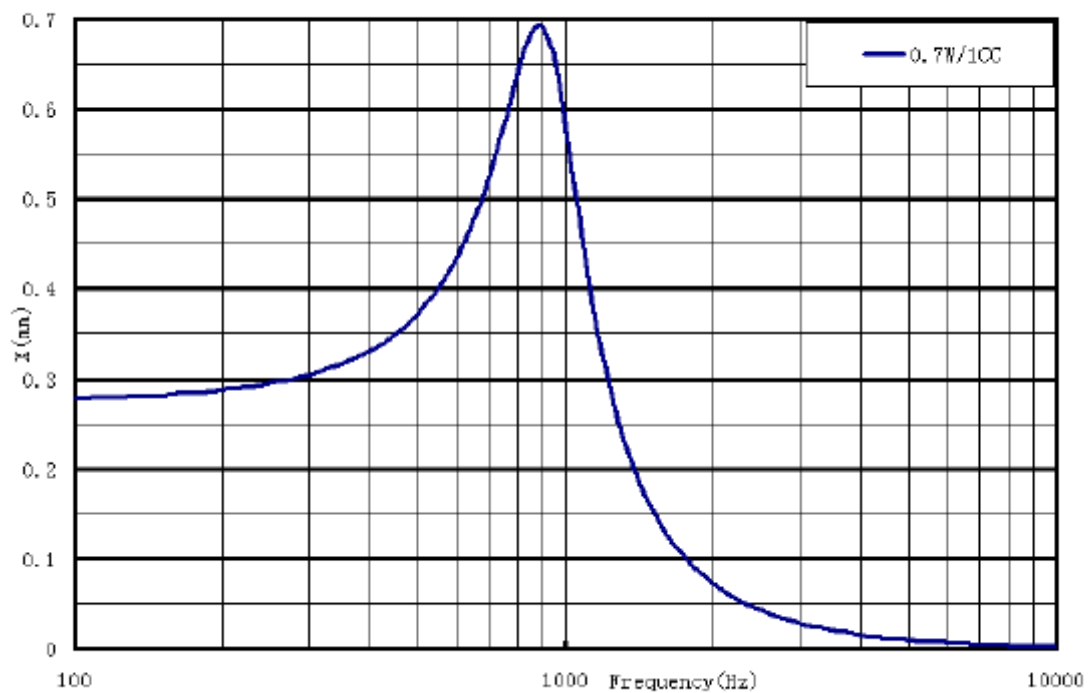
Fs	500	Hz
Re	7.2	ohms
Sd	1.08	cm <sup>2</sup>
Bl	0.9	T.m
Vas	2.1	cc
Cms	1.31	mm/N
Mms	72	mg
Qms	2.39	
Qes	2.2	
Qt	1.14	

LSF-S1115A-IPX7 (Artikel-Nr. 106124)

**EKULIT**

## 7. Peak to peak excursion

Xp-p in different power input



(Figure 11)

**LSF-S1115A-IPX7** (Artikel-Nr. 106124)

**EKULIT**

## 9. Package

- 1、 100pcs of speaker in each tray
- 2、 20 trays in one carton
- 3、 Total:2000 pcs / 1 carton
- 4、 Gross Weight:5.2KGS
- 5、 Net Weight: 3.2KGS

