



Elektrotechnik Karl-Heinz Mauz GmbH

EPZ-27MS44 (Artikel-Nr. 190050)

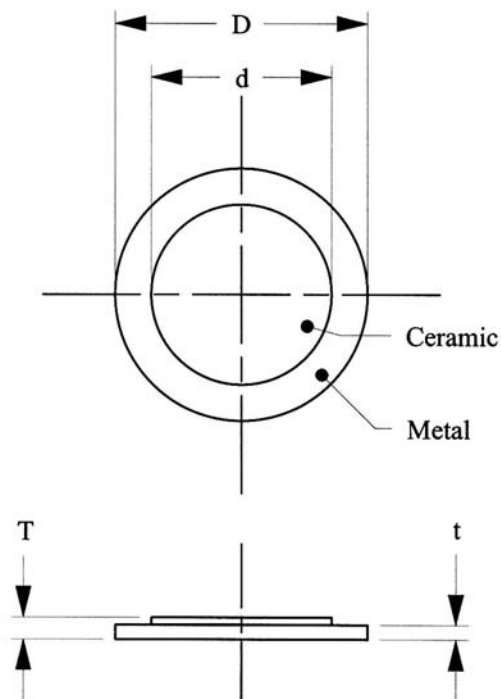
EKULIT

SPECIFICATIONS:

TYPE	UNIT	EPZ-27MS44
Dimensions (mm)	D	27
	d	20
	T	0.25
	t	0.51
Frequency	Hz	4.400
Impedance	Ω	200
Capacitance Co	pF	21.000
Operating Temperature	$^{\circ}\text{C}$	-20~+70
Storage Temperature	$^{\circ}\text{C}$	-30~+80

DIMENSIONS :

(Unit: mm)



Adresse: **Felix-Wankel-Str. 35 • 73760 Ostfildern/Nellingen**

Tel: **+49-711/3414023**

Fax: **+49-711/3414024**

E-mail: **info@ekulit.de**

Web site: **www.EKULIT.de**