



POWER SUPPLY SPECIFICATION

MODEL NO.	MW MC15E	ISSUE DATE	2019-07-02 (Revised: 2019-07-11)
CUSTOMER	Minwa	REF. NO.	

INPUT

INPUT VOLTAGE	100 to 240 Vac
INPUT FREQUENCY	60 / 50 Hz
NO LOAD POWER CONSUMPTION	<0.1W
INPUT FULL LOAD CURRENT (at 100 Vac)	m A

OUTPUT

OUTPUT VOLTAGE (DC)	3.0 / 4.5 / 5.0 / 6.0 / 7.5 / 9.0 / 12.0V
OUTPUT CURRENT	1.5A

OVERALL PERFORMANCE

TOTAL OUTPUT POWER	18W Max
EFFICIENCY	COMPLIED with ErP2 (Energy Level VI)

PROTECTION

■ OVER CURRENT PROTECTION	■ SHORT CIRCUIT PROTECTION
■ OVER VOLTAGE PROTECTION	■ L.P.S (Limits for power source)
■ OVER POWER PROTECTION	□ AUTOMATIC THERMAL PROTECTION

HI-POT

INPUT TO OUTPUT	3000Vac 5 mA 50 Hz
INPUT TO CASE	3000Vac 5 mA 5Hz
OUTPUT TO CASE	500 Vac 5 mA 50Hz
ISOLATION RESISTANCE	100 M Ohms I/P-O/P I/P/Enclosure
APPLIANCE	Class II

ENVIRONMENTAL

OPERATING TEMPERATURE	0 °C to 25 °C
STORGE TEMPERATURE	-20 °C to 60 °C
OPERATING HUMIDITY	20%-85% RH. NON-CONDENSING
STORGE HUMIDITY	10%-90% RH. NON-CONDENSING

SAFFTY STANDARDS

SAFETY STANDARDS	EN 62368-1:2014+ A11:2017
EMC STANDARDS	EN 61204-3:2000

RELIABILITY

MTBF	30000 Hours min
BURN-IN	4 Hours 25°C, full load, 220Vac, 50Hz

MECHANICAL SPECIFICATION

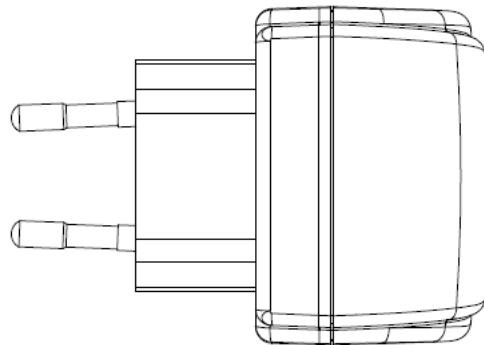
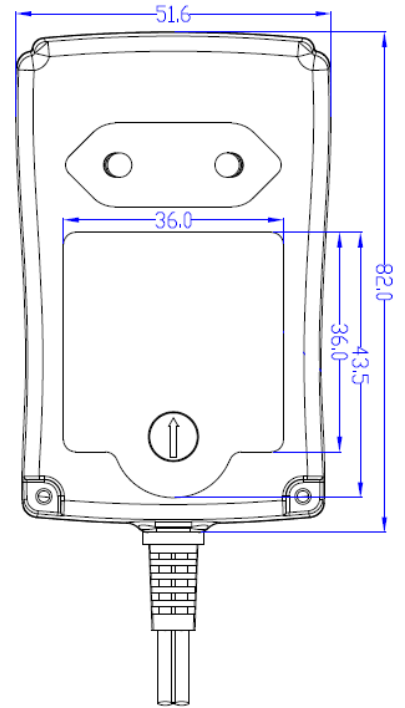
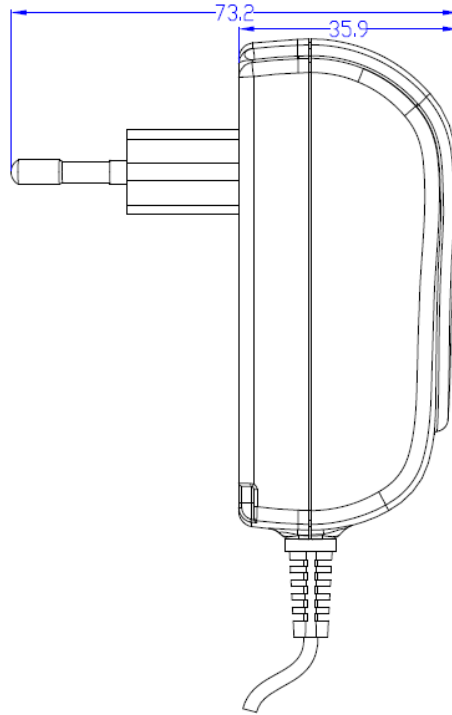
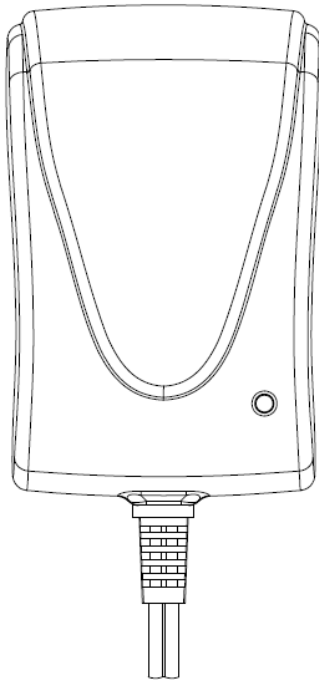
DIMEMSION	82.0 mm(L) x 51.6 mm(W) x 35.9 mm(H) (exclude plug) 82.0 mm(L) x 51.6 mm(W) x 73.2 mm(H) (include plug)
WEIGHT	g MAX exclude packing
INPUT PLUG	Direct plug-in EU type
OUTPUT CORD	PVC, Length 1.8m
OUTPUT PLUG	Depends on client request



POWER SUPPLY SPECIFICATION

MODEL NO.	MW MC15E	ISSUE DATE	2019-07-02 (Revised: 2019-07-11)
CUSTOMER	Minwa	REF. NO.	

Appearance



APPROVE:

AUDITING:

CONNER: