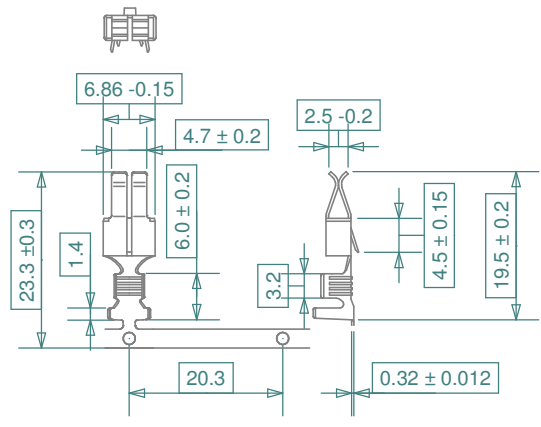
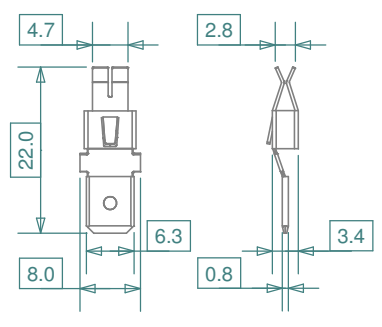


section A - A



Crimp contact



Tab contact (used in H1110)

Crimping information
Wire range: 1.0 - 2.5mm ²
Maximum insulator diameter: 4.3mm
Wire strip length: 4.5 ± 0.5mm

iMaXX ref.	Description	Material	Note
H1110	single holder	PA66 GF30	black
	Tab connect 2 contacts	CuZn	pre-assembled included in H1110
H1101	holder body	PA66 GF30	black
CCX130FR	crimp contact on coil	CuZn30	Sn plate
CCX130FL	crimp contact loose	CuZn30	Sn plate
H1105	single cover	PE	semi transparent

Note: fuse holder suited for iMaXX normOTO blade fuse series F1000, F1500 and F1900, up to 30A.

Revisions			Date	Appr.
	Date	Type	Drawn	10/03
a	12/08	re-drawn	Checked	08/11
b	08/10	added H1102 & H1104 contacts	Standards	
c	08/11	updated dimensions	Approved	08/11
d	08/11	updated contact part numbers		
			Scale	1 : 1
			Projection	
			Tolerance	± 0.2 mm unless otherwise noted
			Title	H1110 series, normOTO blade fuse holder
			Drawing type	schematic
			Drawing number	H1110 drawing 1
			Sheet	1 of 1
			Layers / Sheet	01 2 3 4 6 8 9 11 Sheet 01

