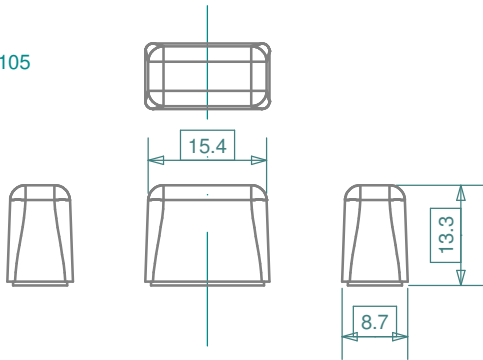
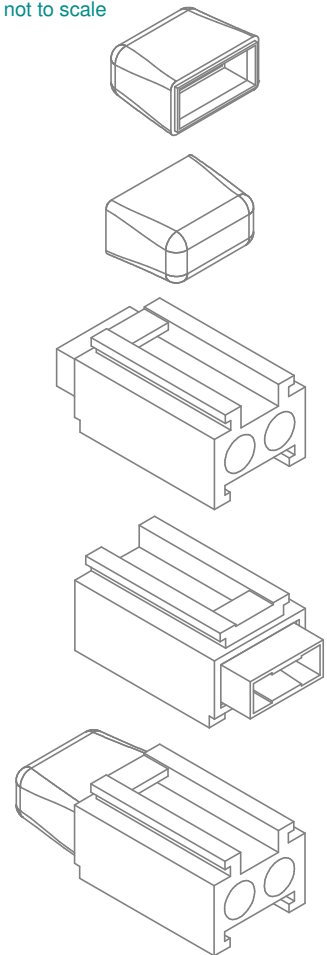


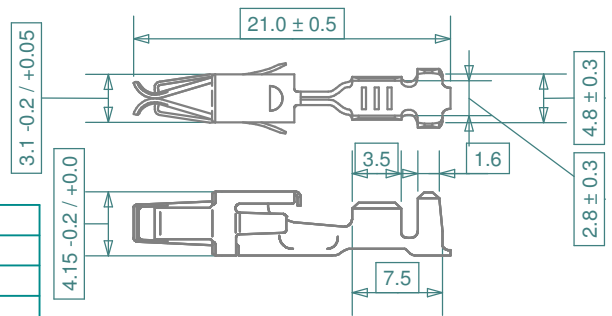
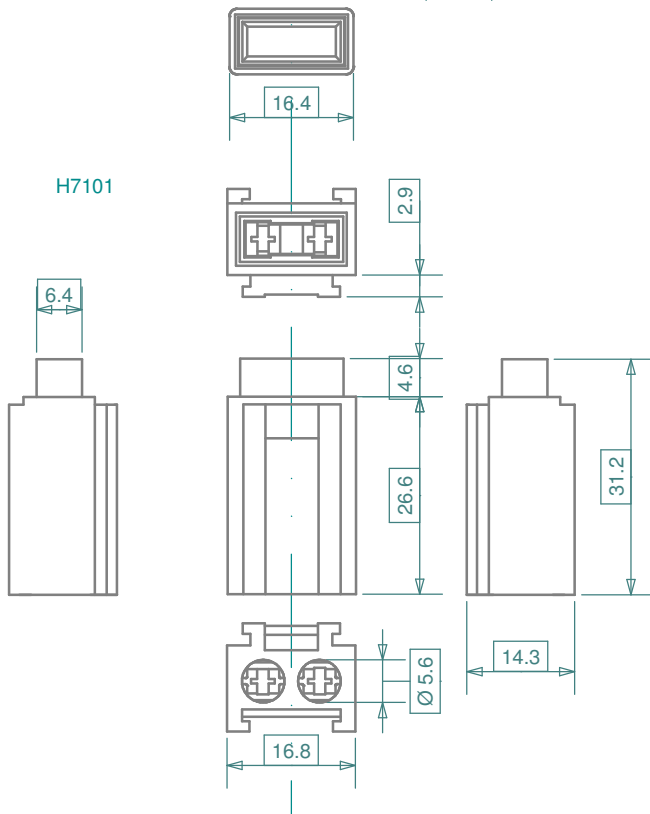
H7105



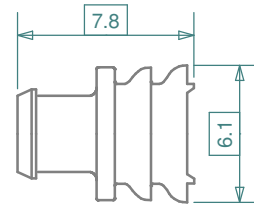
3D not to scale



H7101



Contact scale 2 : 1



Seal scale 3 : 1

| iMaXX ref. | Description   |
|------------|---|
| H7101      | fuse holder body, PA 66 GF25, black                                 |
| H7105      | cover PP, for use on FH H7120 series, translucent                   |
| H7120 *    | FH miniOTO assembled, 2,5mm <sup>2</sup> red wire 1p, no cover *    |
| H7125 *    | FH miniOTO assembled, 2,5mm <sup>2</sup> red wire 1p, loose cover * |
| H1007      | mounting bracket steel, for holders H1010, H7120 series             |
| CCS710FR   | contact 1.5-2.5mm <sup>2</sup> , seal type, reeled                  |
| CCS710FL   | contact 1.5-2.5mm <sup>2</sup> , seal type, loose                   |
| S561216    | cable seal HD 5.6mm, green, cable diam. 1.2 - 1.6mm                 |
| S561724    | cable seal HD 5.6mm, yellow, cable diam. 1.7 - 2.4mm                |
| S562533    | cable seal HD 5.6mm, red, cable diam. 2.5 - 3.3mm                   |
| CCX705FL   | contact 0.5-1.0mm <sup>2</sup> , loose                              |
| CCX710FL   | contact 1.5-2.5mm <sup>2</sup> , loose                              |

\* see drawing "H7120 - H7125 drawing 1" for assembled version

| Revisions |       |                                   | Date      | Appr. |     |
|-----------|-------|-----------------------------------|-----------|-------|-----|
|           | Date  | Type                              | Drawn     | 06/10 | GRH |
| a         | 02/11 | updated dimensions                | Checked   | 09/16 | BE  |
| b         | 08/11 | updated dimensions                | Standards |       |     |
| c         | 08/11 | added contact & seal part numbers | Approved  | 09/16 | AdH |
| d         | 09/16 | added contact part numbers        |           |       |     |

|            |                                 |                |                               |
|------------|---------------------------------|----------------|-------------------------------|
| Scale      | 1 : 1                           | Title          | H7100 series 1 pos miniOTO FH |
| Projection |                                 | Drawing type   | schematic                     |
| Tolerance  | ± 0.2 mm unless otherwise noted | Drawing number | H7100 drawing 1               |
|            |                                 | Sheet          | 1 of 1                        |
|            |                                 | Layers / Sheet | 01 2 6 8 9 11 Sheet 01        |



1

2

3

4