



Elektrotechnik Karl-Heinz Mauz GmbH

AL-60P06 (Artikel-Nr. 155110)

EKULIT

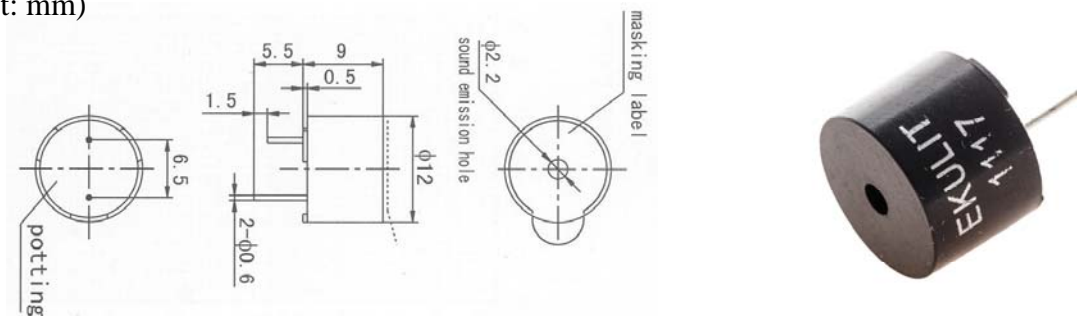
SPECIFICATIONS:

TYPE	UNIT	AL-60P06
• Min. Sound Output at 10cm	dB	85
Rated Voltage	V	6
Operating Voltage	V	3~8
Resonant Frequency	Hz	2.400
• Max. Current Consumption	mA	40
Coil Resistance	Ω	45 \pm 5
•• Coil Impedance	Ω	80
Operating Temperature	$^{\circ}$ C	-25~+70
Storage Temperature	$^{\circ}$ C	-30~+80
Weight	g	2

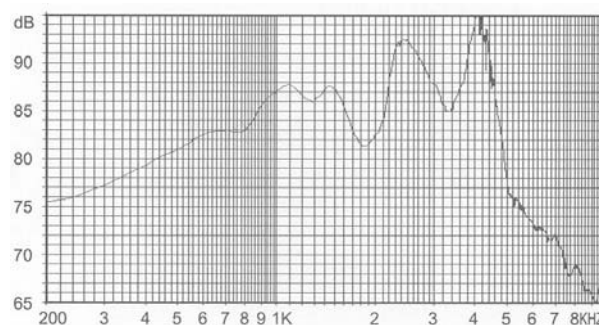
- Value applying at (rated voltage, 2.400Hz, 1/2 duty square wave)
- Value applying at (2.400Hz, sine wave, measuring current 60 μ A)

DIMENSIONS :

(Unit: mm)



Frequency response:



Adresse: **Felix-Wankel-Str. 35 • 73760 Ostfildern/Nellingen**

Tel: **+49-711/3414023**

Fax: **+49-711/3414024**

E-mail: **info@ekulit.de**

Web site: **www.EKULIT.de**